



Chipsmall Limited consists of a professional team with an average of over 10 year of expertise in the distribution of electronic components. Based in Hongkong, we have already established firm and mutual-benefit business relationships with customers from,Europe,America and south Asia,supplying obsolete and hard-to-find components to meet their specific needs.

With the principle of “Quality Parts,Customers Priority,Honest Operation,and Considerate Service”,our business mainly focus on the distribution of electronic components. Line cards we deal with include Microchip,ALPS,ROHM,Xilinx,Pulse,ON,Everlight and Freescale. Main products comprise IC,Modules,Potentiometer,IC Socket,Relay,Connector.Our parts cover such applications as commercial,industrial, and automotives areas.

We are looking forward to setting up business relationship with you and hope to provide you with the best service and solution. Let us make a better world for our industry!



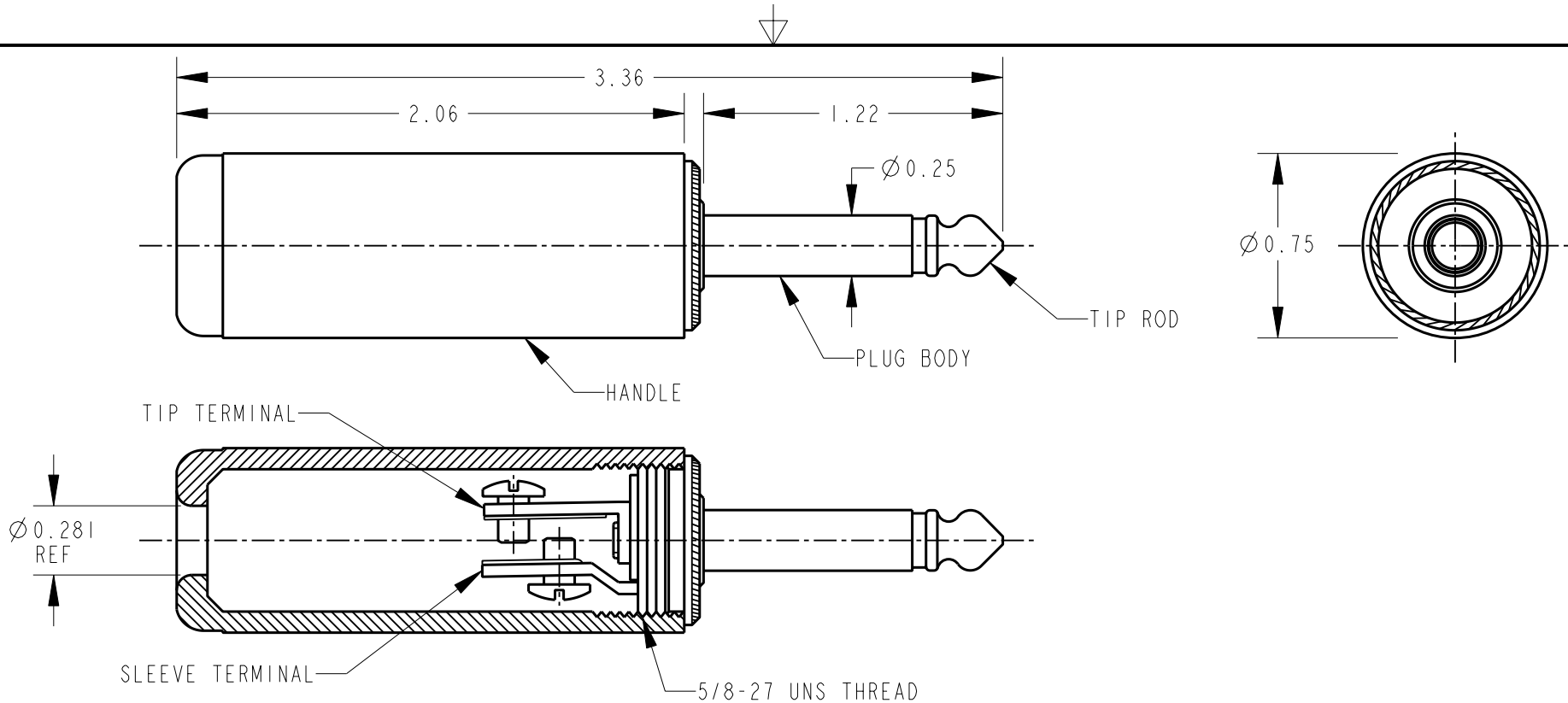
Contact us

Tel: +86-755-8981 8866 Fax: +86-755-8427 6832

Email & Skype: info@chipsmall.com Web: www.chipsmall.com

Address: A1208, Overseas Decoration Building, #122 Zhenhua RD., Futian, Shenzhen, China





NOTE:

- I. MATERIALS:
- HANDLE - THERMOPLASTIC, BLACK
 - PLUG BODY - COPPER ALLOY, NICKEL PLATED
 - TIP ROD - COPPER ALLOY, NICKEL PLATED
 - INSULATORS - PHENOLIC
 - SCREW TERMINALS - STEEL, TIN PLATED
 - SCREWS - COPPER ALLOY, NICKEL PLATED

CUSTOMER DRAWING

					★ STAR SYMBOL DENOTES CRITICAL DIMENSION	THIS DRAWING DESCRIBES A DESIGN CONSIDERED PROPRIETARY IN NATURE, DEVELOPED AND MANUFACTURED BY SWITCHCRAFT INC. AND IS RELEASED ON A CONFIDENTIAL BASIS FOR IDENTIFICATION PURPOSES ONLY.					
					UNLESS OTHERWISE SPECIFIED	SIZE	WIDTH	MULT	LBS/M	TEMPER	
					1. ALL DIMENSIONS IN INCHES - TWO PLACE DECIMALS ± 0.01 - THREE PLACE DECIMALS ± 0.005 - ANGLES $\pm 1^\circ$ - ALL DIA. CONCENTRIC WITHIN 0.005 T.I.R.	FINISH		MATERIAL			
					2. FEATURES ON THE SAME CENTERLINE MUST BE ALIGNED WITHIN ± 0.002	SPEC No.		SCALE			
					3. REMOVE ALL BURRS	FIRST USED ON		1.5 = 1			
E	20627	12/26/12	TO	TJK		DATE DRAWN	BY	CHKD	APVD	Switchcraft®	
						26-Dec-12	TO	TO	TJK		
REV	ECO NUMBER	DATE	BY	APVD						SHEET	OF
					DO NOT SCALE DRAWING	NAME			PART No.		REV
						PLUG ASSEMBLY			40		E