



Chipsmall Limited consists of a professional team with an average of over 10 year of expertise in the distribution of electronic components. Based in Hongkong, we have already established firm and mutual-benefit business relationships with customers from,Europe,America and south Asia,supplying obsolete and hard-to-find components to meet their specific needs.

With the principle of “Quality Parts,Customers Priority,Honest Operation,and Considerate Service”,our business mainly focus on the distribution of electronic components. Line cards we deal with include Microchip,ALPS,ROHM,Xilinx,Pulse,ON,Everlight and Freescale. Main products comprise IC,Modules,Potentiometer,IC Socket,Relay,Connector.Our parts cover such applications as commercial,industrial, and automotives areas.

We are looking forward to setting up business relationship with you and hope to provide you with the best service and solution. Let us make a better world for our industry!



Contact us

Tel: +86-755-8981 8866 Fax: +86-755-8427 6832

Email & Skype: info@chipsmall.com Web: www.chipsmall.com

Address: A1208, Overseas Decoration Building, #122 Zhenhua RD., Futian, Shenzhen, China



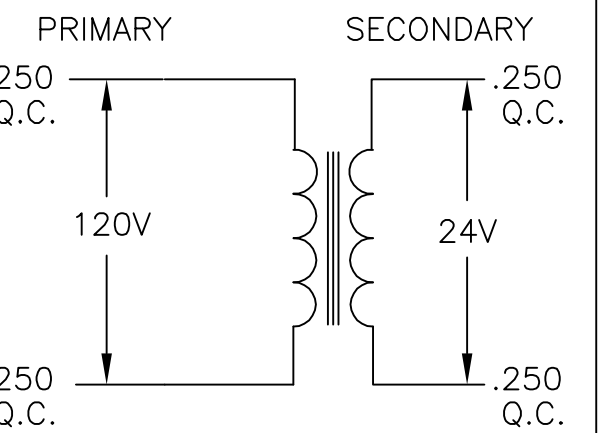
THIS DRAWING IS UNPUBLISHED. RELEASED FOR PUBLICATION
 © COPYRIGHT BY TYCO ELECTRONICS CORPORATION. ALL RIGHTS RESERVED.

LOC	DIST	REVISIONS		
GZ	00	P	LTR	DESCRIPTION
		B		EC 0611-0378-03
			DATE	DWN
			15JUL2003	MD
				APVD
				WS

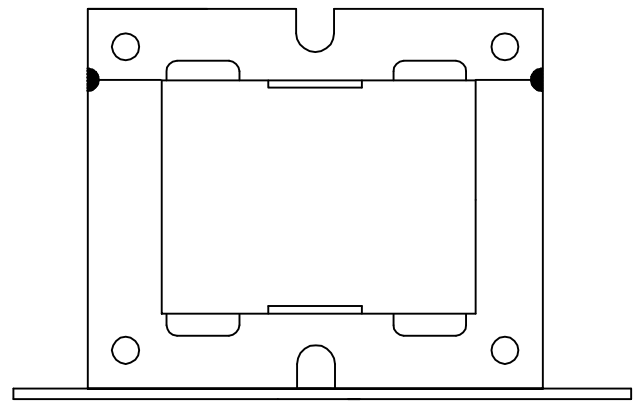
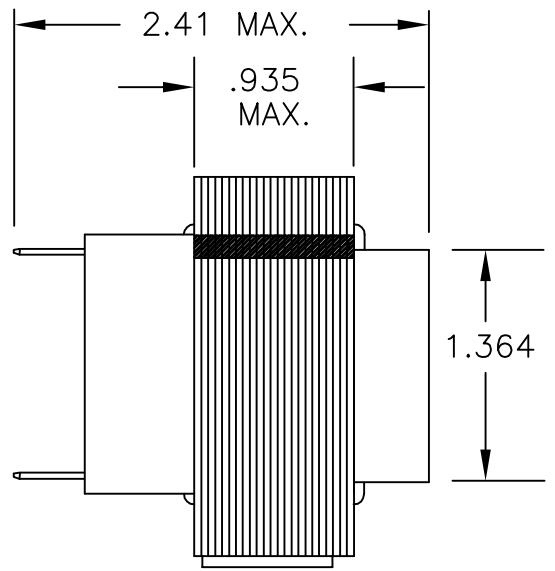
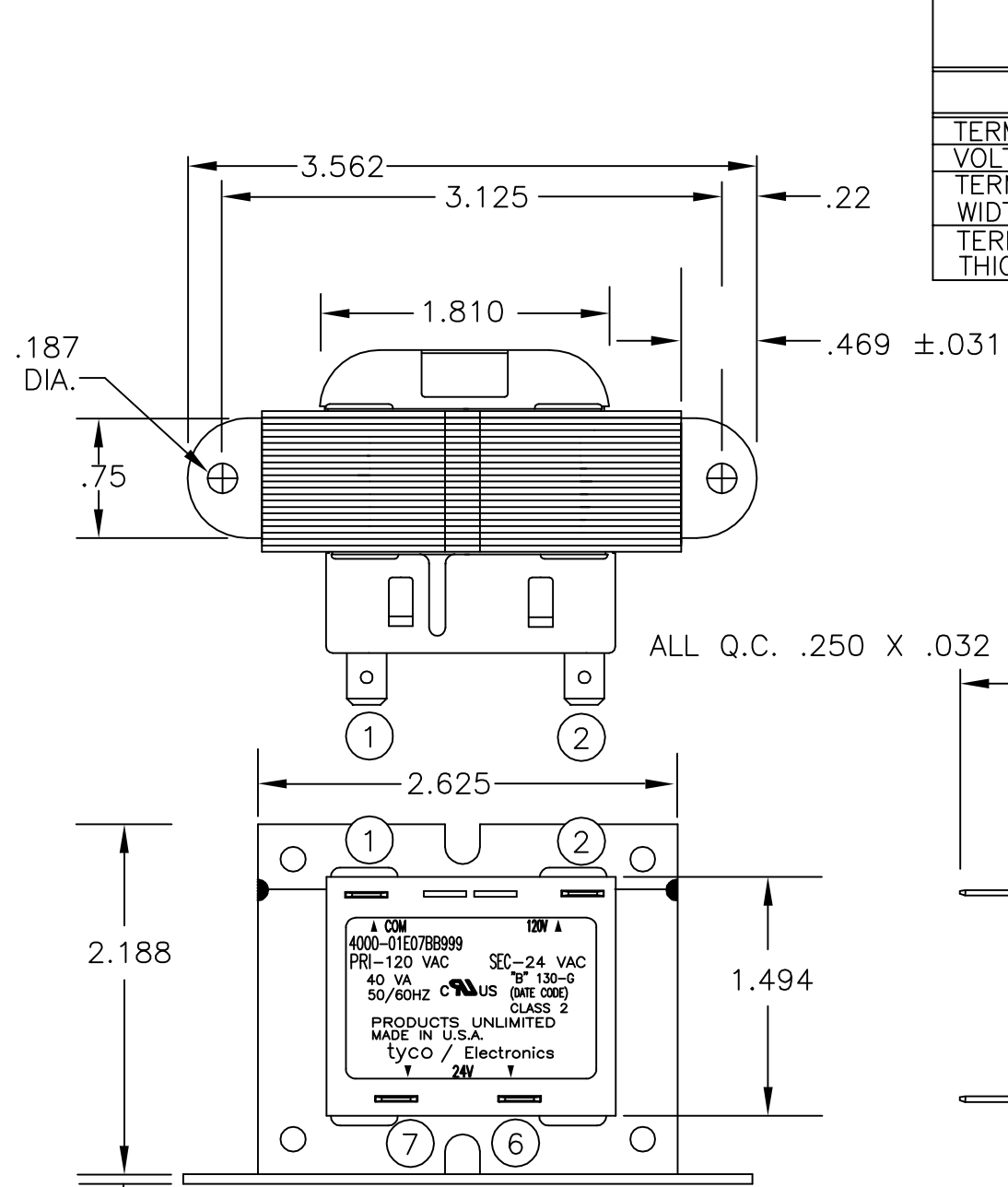
PRIMARY			
TERM NO.	1	2	3
VOLTAGE	COM	120	
TERMINAL WIDTH	.250	.250	
TERMINAL THICKNESS	.032	.032	

NOTES
 1. DIMENSIONS FOR REFERENCE ONLY.
 2. WINDING PROTECTION—INHERENTLY LIMITING

SECONDARY		
TERM NO.	6	7
VOLTAGE	24	VAC
TERMINAL WIDTH	.250	.250
TERMINAL THICKNESS	.032	.032



SCHEMATIC



COM 12W
 4000-01E07BB999
 PRI-120 VAC SEC-24 VAC
 40 VA 50/60HZ CLASS 2
 PRODUCTS UNLIMITED
 MADE IN U.S.A.
 tyco / Electronics

TYCO PART NUMBER
 2-1611453-2

THIS DRAWING IS A CONTROLLED DOCUMENT.		DWN	4MARCH1997	
DIMENSIONS: INCHES		CHK	-	
TOLERANCES UNLESS OTHERWISE SPECIFIED:		APVD	-	
0 PLC ± -		PRODUCT SPEC	-	
1 PLC ± -		APPLICATION SPEC	-	
2 PLC ± -		WEIGHT	-	
3 PLC ± -		CUSTOMER DRAWING	-	
4 PLC ± -		SCALE	NTS	
ANGLES ± -		SHEET	1 OF 1	
FINISH		REV	B	
MATERIAL		RESTRICTED TO	-	

Products Tyco Electronics Corporation
 Harrisburg, PA 17105-3608

NAME: TRANSFORMER OUTLINE P.U. STOCK

SIZE: A3 CAGE CODE: 00779 DRAWING NO: 4000-01E07BB999