



Chipsmall Limited consists of a professional team with an average of over 10 year of expertise in the distribution of electronic components. Based in Hongkong, we have already established firm and mutual-benefit business relationships with customers from,Europe,America and south Asia,supplying obsolete and hard-to-find components to meet their specific needs.

With the principle of “Quality Parts,Customers Priority,Honest Operation,and Considerate Service”,our business mainly focus on the distribution of electronic components. Line cards we deal with include Microchip,ALPS,ROHM,Xilinx,Pulse,ON,Everlight and Freescale. Main products comprise IC,Modules,Potentiometer,IC Socket,Relay,Connector.Our parts cover such applications as commercial,industrial, and automotives areas.

We are looking forward to setting up business relationship with you and hope to provide you with the best service and solution. Let us make a better world for our industry!



Contact us

Tel: +86-755-8981 8866 Fax: +86-755-8427 6832

Email & Skype: info@chipsmall.com Web: www.chipsmall.com

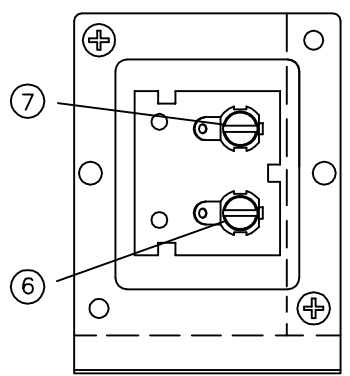
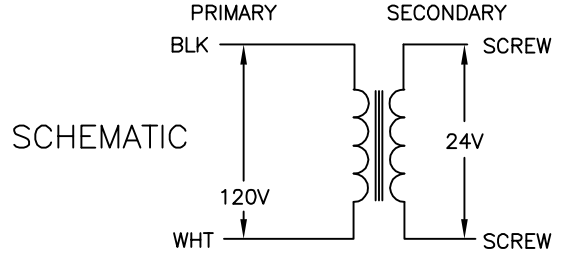
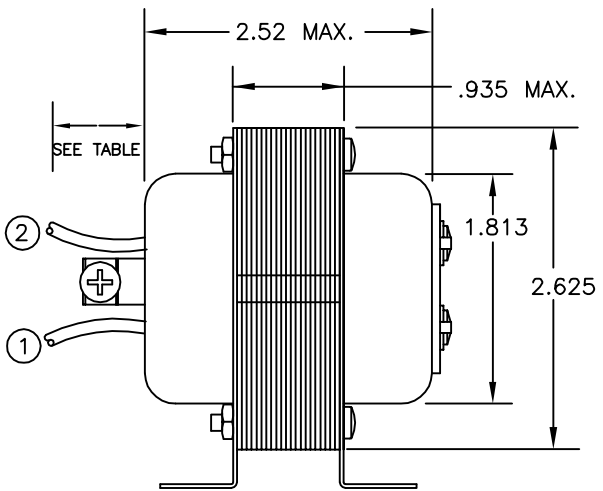
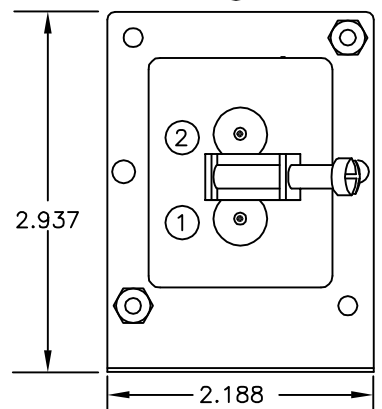
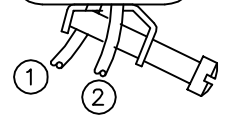
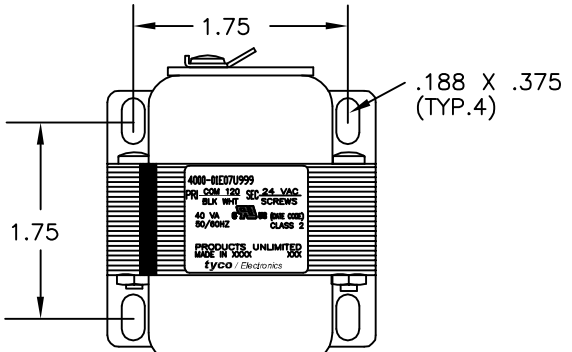
Address: A1208, Overseas Decoration Building, #122 Zhenhua RD., Futian, Shenzhen, China



THIS DRAWING IS UNPUBLISHED. RELEASED FOR PUBLICATION
 © COPYRIGHT - BY TYCO ELECTRONICS CORPORATION. ALL RIGHTS RESERVED.

LOC	DIST	REVISIONS					
GZ	00	P	LTR	DESCRIPTION	DATE	DWN	APVD
		A		NEW FORMAT & EC0720-0089-04	13FEB04	MD	KH

ALL LEADS 18AWG--UNLESS OTHERWISE SPECIFIED						NOTES 1. DIMENSIONS FOR REFERENCE ONLY. 2. ALL LEADS +1"/-0" TOL. 3. STRIP TOL. ±1/32 4. WINDING PROTECTION--INHERENTLY LIMITING				CERTIFICATION: UL & CUL FILE NO. E87824			
PRIMARY						SECONDARY							
LEAD NO.	1	2	3	4	5	LEAD NO.	6	7	8	9			
VOLTAGE	COM	120				VOLTAGE	24	VAC					
COLOR	BLK	WHT				COLOR							
LENGTH	12.0	12.0				LENGTH	SCREW	SCREW					
STRIP LENGTH	.50	.50				STRIP LENGTH							



THIS DRAWING IS A CONTROLLED DOCUMENT.

DIMENSIONS:	TOLERANCES UNLESS OTHERWISE SPECIFIED:
INCHES	0 PLC ± -
	1 PLC ± -
	2 PLC ± -
	3 PLC ± -
	4 PLC ± -
	ANGLES ± -
MATERIAL	FINISH
-	-

DWN	M.DAVIS	13FEB04
CHK	K.HOLSCHUH	13FEB04
APVD	K.HOLSCHUH	13FEB04
PRODUCT SPEC		
APPLICATION SPEC		
WEIGHT	-	
CUSTOMER DRAWING		

CUST. NO.		TYCO PART NUMBER	
-		4-1611453-9	
		Tyco Electronics Corporation	
		Harrisburg, Pa 17105-3608	
NAME			
TRANSFORMER OUTLINE			
-			
SIZE	CAGE CODE	DRAWING NO	RESTRICTED TO
A3	00779	C=4000-01E07U999	-
SCALE		SHEET	REV
NTS		1 OF 1	A