



Chipsmall Limited consists of a professional team with an average of over 10 year of expertise in the distribution of electronic components. Based in Hongkong, we have already established firm and mutual-benefit business relationships with customers from,Europe,America and south Asia,supplying obsolete and hard-to-find components to meet their specific needs.

With the principle of “Quality Parts,Customers Priority,Honest Operation,and Considerate Service”,our business mainly focus on the distribution of electronic components. Line cards we deal with include Microchip,ALPS,ROHM,Xilinx,Pulse,ON,Everlight and Freescale. Main products comprise IC,Modules,Potentiometer,IC Socket,Relay,Connector.Our parts cover such applications as commercial,industrial, and automotives areas.

We are looking forward to setting up business relationship with you and hope to provide you with the best service and solution. Let us make a better world for our industry!



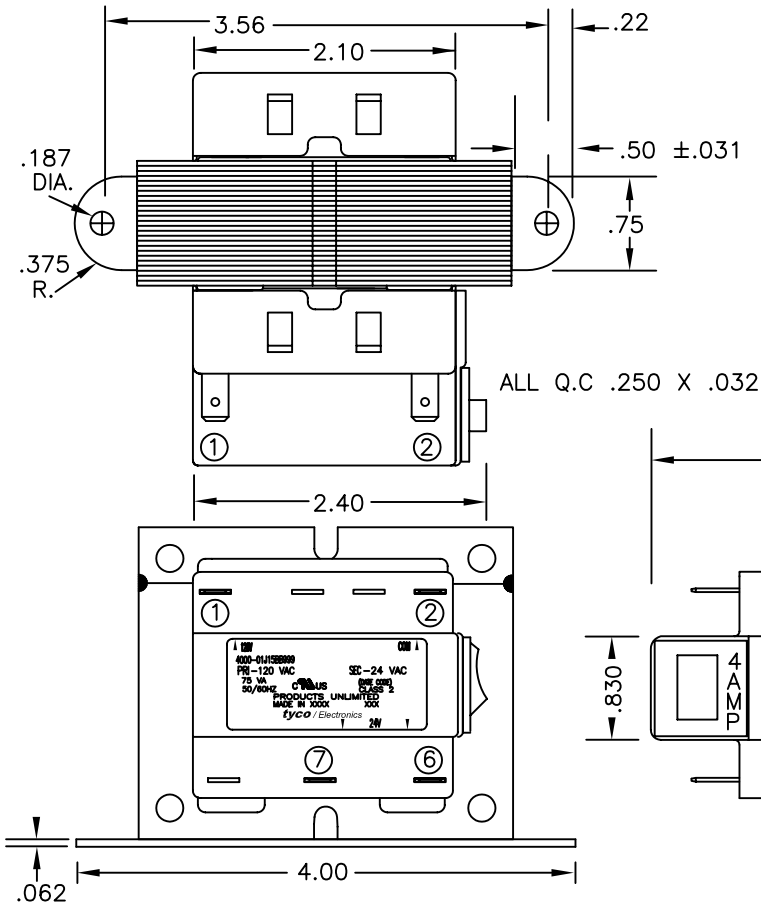
Contact us

Tel: +86-755-8981 8866 Fax: +86-755-8427 6832

Email & Skype: info@chipsmall.com Web: www.chipsmall.com

Address: A1208, Overseas Decoration Building, #122 Zhenhua RD., Futian, Shenzhen, China

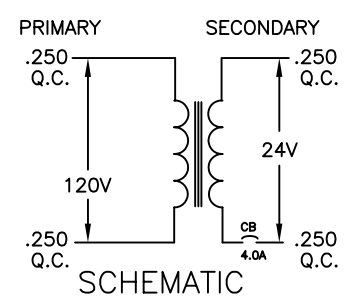
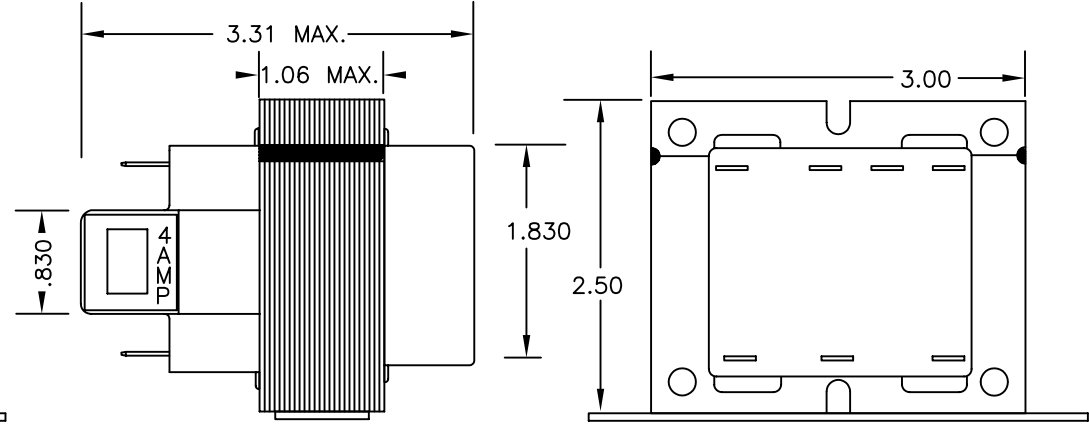




PRIMARY					SECONDARY				
TERM NO.	1	2	3	4	5	6	7	8	9
VOLTAGE	COM	120				24	VAC		
TERMINAL WIDTH	.250	.250				.250	.250		
TERMINAL THICKNESS	.032	.032				.032	.032		

NOTES:
 1. DIMENSIONS FOR REFERENCE ONLY.
 2. WINDING PROTECTION-4.0 AMP CIRCUIT BREAKER IN SECONDARY NON-INHERENTLY LIMITED

CERTIFICATION: UL/CUL FILE NO E87824



TYCO PART NUMBER
 6-1611513-1

THIS DRAWING IS A CONTROLLED DOCUMENT.		DWN: K.H.	26JAN07	<p>Tyco Electronics Corporation Harrisburg, PA 17105-3608</p>
DIMENSIONS: INCHES		CHK: DH	26JAN07	
TOLERANCES UNLESS OTHERWISE SPECIFIED:		APVD: HT	26JAN07	
0 PLC ± - 1 PLC ± - 2 PLC ± .01 3 PLC ± .005 4 PLC ± - ANGLES ± -		NAME		
MATERIAL		WEIGHT		PRODUCT SPEC
FINISH		CUSTOMER DRAWING		APPLICATION SPEC
		SCALE: 1:1		RESTRICTED TO
		SHEET: 1 OF 1		REV: A

SIZE: A3 CAGE CODE: 00779 DRAWING NO: C=4000-01J15BB999