



Chipsmall Limited consists of a professional team with an average of over 10 year of expertise in the distribution of electronic components. Based in Hongkong, we have already established firm and mutual-benefit business relationships with customers from,Europe,America and south Asia,supplying obsolete and hard-to-find components to meet their specific needs.

With the principle of “Quality Parts,Customers Priority,Honest Operation,and Considerate Service”,our business mainly focus on the distribution of electronic components. Line cards we deal with include Microchip,ALPS,ROHM,Xilinx,Pulse,ON,Everlight and Freescale. Main products comprise IC,Modules,Potentiometer,IC Socket,Relay,Connector.Our parts cover such applications as commercial,industrial, and automotives areas.

We are looking forward to setting up business relationship with you and hope to provide you with the best service and solution. Let us make a better world for our industry!



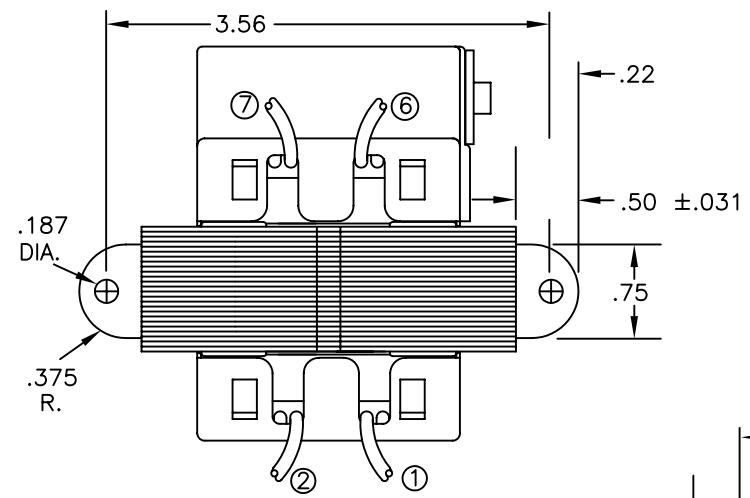
Contact us

Tel: +86-755-8981 8866 Fax: +86-755-8427 6832

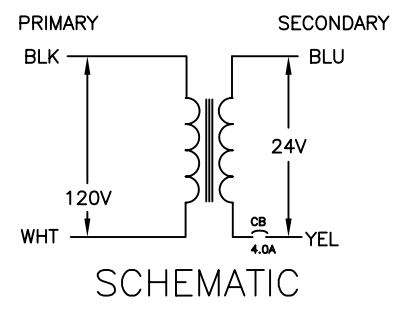
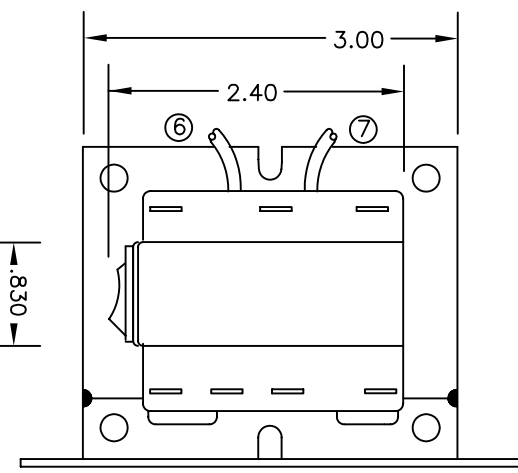
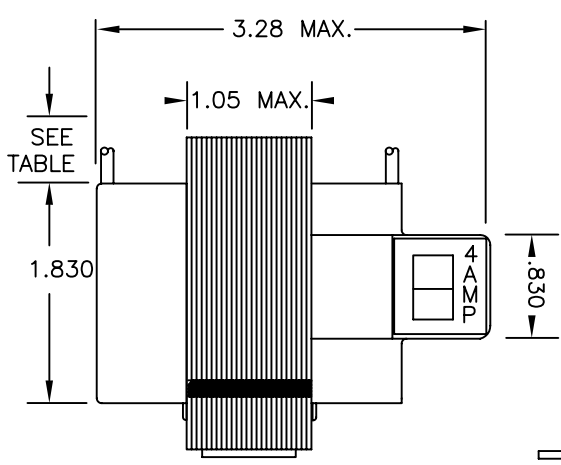
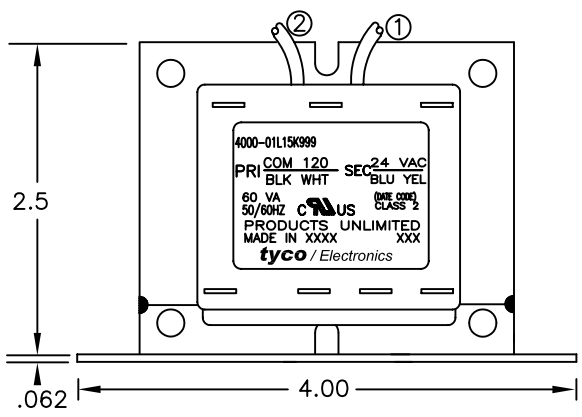
Email & Skype: info@chipsmall.com Web: www.chipsmall.com

Address: A1208, Overseas Decoration Building, #122 Zhenhua RD., Futian, Shenzhen, China





ALL LEADS 18AWG--UNLESS OTHERWISE SPECIFIED						NOTES		CERTIFICATION:UL/CUL FILE NO E87824			
PRIMARY						1. DIMENSIONS FOR REFERENCE ONLY.		SECONDARY			
LEAD NO.						2. WINDING PROTECTION--INHERENTLY LIMITING		LEAD NO.			
1	2	3	4	5			6	7	8	9	
VOLTAGE	COM	120					VOLTAGE	24	VAC		
COLOR	BLK	WHT					COLOR	BLU	YEL		
LENGTH	12.0	12.0					LENGTH	12.0			
STRIP LENGTH	.50	.50					STRIP LENGTH	.50	.50		



TYCO PART NUMBER
4-1672103-1

THIS DRAWING IS A CONTROLLED DOCUMENT.		DWN	K.H.	17JUN03	 Tyco Electronics Corporation Harrisburg, PA 17105-3608		
DIMENSIONS: INCHES		CHK	DH	17JUN03			
TOLERANCES UNLESS OTHERWISE SPECIFIED:		APVD	HT	17JUN03			
0 PLC ±- 1 PLC ±- 2 PLC ±- 3 PLC ±- 4 PLC ±- ANGLES ±-		PRODUCT SPEC		NAME			
MATERIAL		APPLICATION SPEC		TRANSFORMER OUTLINE P.U. STOCK			
FINISH		WEIGHT		SIZE	CAGE CODE	DRAWING NO	RESTRICTED TO
		CUSTOMER DRAWING		A3	00779	©=4000-01L15K999	
				SCALE	1:1	SHEET	1 OF 1
						REV	0