



Chipsmall Limited consists of a professional team with an average of over 10 year of expertise in the distribution of electronic components. Based in Hongkong, we have already established firm and mutual-benefit business relationships with customers from,Europe,America and south Asia,supplying obsolete and hard-to-find components to meet their specific needs.

With the principle of "Quality Parts,Customers Priority,Honest Operation,and Considerate Service",our business mainly focus on the distribution of electronic components. Line cards we deal with include Microchip,ALPS,ROHM,Xilinx,Pulse,ON,Everlight and Freescale. Main products comprise IC,Modules,Potentiometer,IC Socket,Relay,Connector.Our parts cover such applications as commercial,industrial, and automotives areas.

We are looking forward to setting up business relationship with you and hope to provide you with the best service and solution. Let us make a better world for our industry!



## Contact us

Tel: +86-755-8981 8866 Fax: +86-755-8427 6832

Email & Skype: info@chipsmall.com Web: www.chipsmall.com

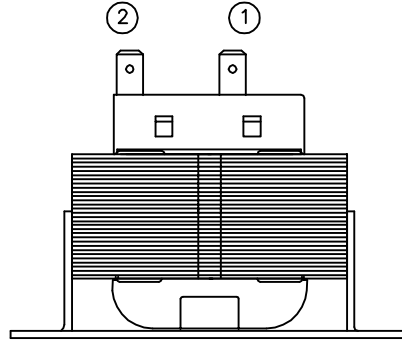
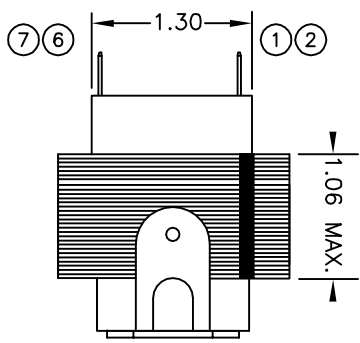
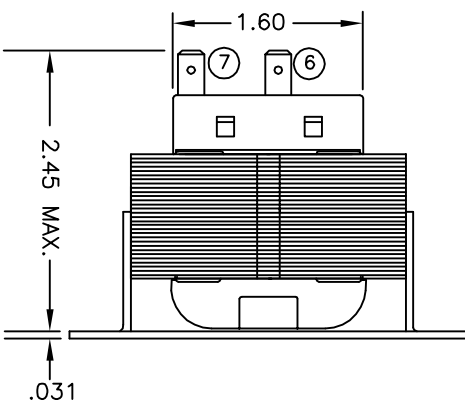
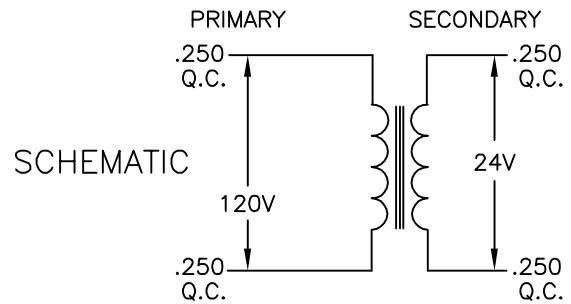
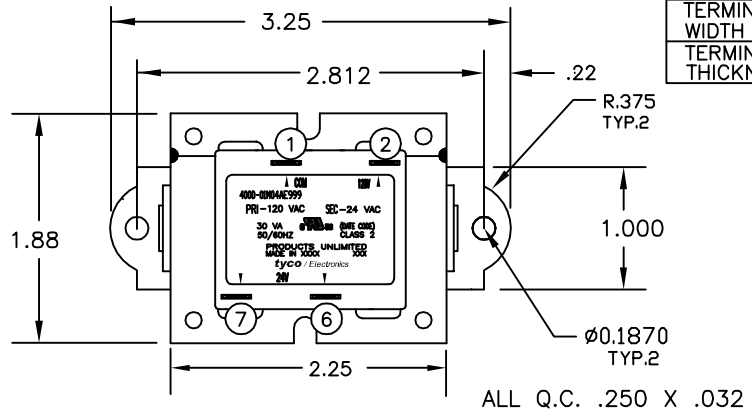
Address: A1208, Overseas Decoration Building, #122 Zhenhua RD., Futian, Shenzhen, China



THIS DRAWING IS UNPUBLISHED. RELEASED FOR PUBLICATION  
 © COPYRIGHT - BY TYCO ELECTRONICS CORPORATION. ALL RIGHTS RESERVED.

LOC	DIST	REVISIONS					
GZ	00	P	LTR	DESCRIPTION	DATE	DWN	APVD
		A		NEW FORMAT & EC0720-0089-04	13FEB04	MD	KH

PRIMARY			NOTES		CERTIFICATION: UL & CUL FILE NO. E87824		
TERMINAL NO.	1	2	1.	DIMENSIONS FOR REFERENCE ONLY.	SECONDARY		
VOLTAGE	COM	120	2.	WINDING PROTECTION-INHERENTLY LIMITING	TERMINAL NO.	6	7
TERMINAL WIDTH	.250	.250			VOLTAGE	24	VAC
TERMINAL THICKNESS	.032	.032			TERMINAL WIDTH	.250	.250
					TERMINAL THICKNESS	.032	.032



THIS DRAWING IS A CONTROLLED DOCUMENT.		DWN	M.DAVIS	13FEB04	CUST. NO.		TYCO PART NUMBER				
DIMENSIONS: INCHES		CHK	K.HOLSCHUH	13FEB04	-		1611450-3				
TOLERANCES UNLESS OTHERWISE SPECIFIED:		APVD	K.HOLSCHUH	13FEB04	NAME		Tyco Electronics Corporation				
0 PLC	± -	PRODUCT SPEC		-		Harrisburg, Pa 17105-3608					
1 PLC	± -	APPLICATION SPEC		-		TRANSFORMER OUTLINE					
2 PLC	± -	WEIGHT		-		-					
3 PLC	± -	MATERIAL		-		-					
4 PLC	± -	FINISH		-		-					
ANGLES	± -	CUSTOMER DRAWING		-		-					
MATERIAL		-		SIZE	A3	CAGE CODE	00779	DRAWING NO	C=4000-01M04AE999	RESTRICTED TO	-
-		-		SCALE	NTS	SHEET	1	OF	1	REV	A