



Chipsmall Limited consists of a professional team with an average of over 10 year of expertise in the distribution of electronic components. Based in Hongkong, we have already established firm and mutual-benefit business relationships with customers from,Europe,America and south Asia,supplying obsolete and hard-to-find components to meet their specific needs.

With the principle of “Quality Parts,Customers Priority,Honest Operation,and Considerate Service”,our business mainly focus on the distribution of electronic components. Line cards we deal with include Microchip,ALPS,ROHM,Xilinx,Pulse,ON,Everlight and Freescale. Main products comprise IC,Modules,Potentiometer,IC Socket,Relay,Connector.Our parts cover such applications as commercial,industrial, and automotives areas.

We are looking forward to setting up business relationship with you and hope to provide you with the best service and solution. Let us make a better world for our industry!



Contact us

Tel: +86-755-8981 8866 Fax: +86-755-8427 6832

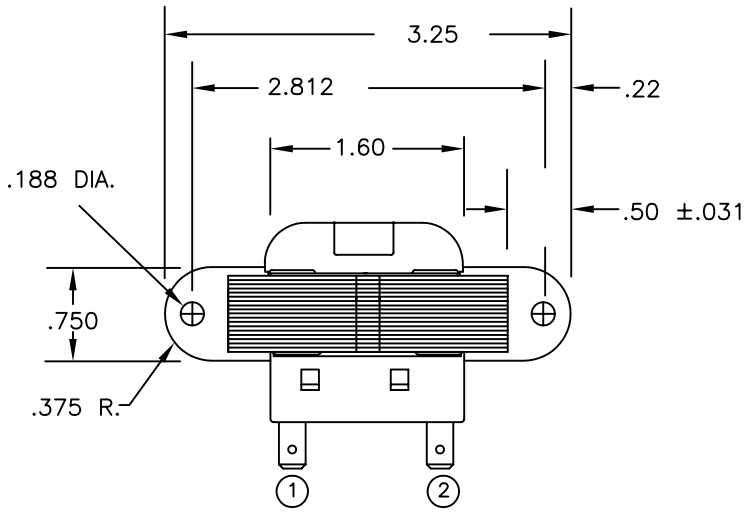
Email & Skype: info@chipsmall.com Web: www.chipsmall.com

Address: A1208, Overseas Decoration Building, #122 Zhenhua RD., Futian, Shenzhen, China



THIS DRAWING IS UNPUBLISHED. RELEASED FOR PUBLICATION
 © COPYRIGHT BY TYCO ELECTRONICS CORPORATION. ALL RIGHTS RESERVED.

LOC		DIST		REVISIONS					
GZ		00		P	LTR	DESCRIPTION	DATE	DWN	APVD
				O		0720-0423-04	29JUN04	KH	HT

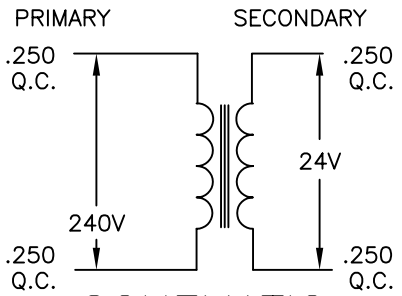
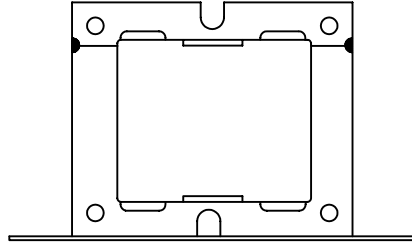
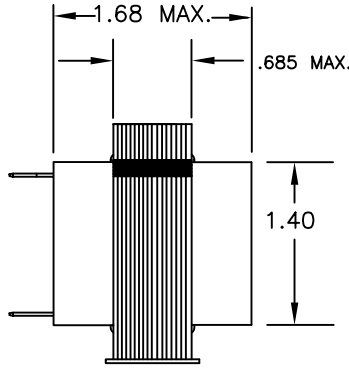
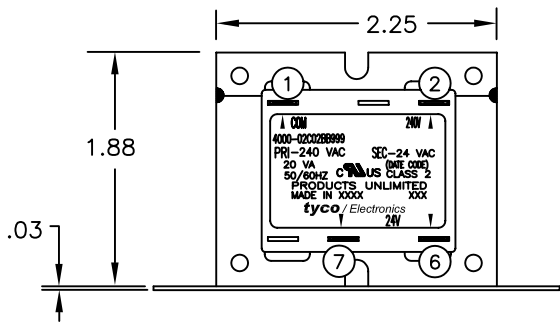


PRIMARY						SECONDARY				
TERM NO.	1	2	3	4	5	TERM NO.	6	7	8	9
VOLTAGE	COM	240				VOLTAGE	24	VAC		
TERMINAL WIDTH	.250	.250				TERMINAL WIDTH	.250	.250		
TERMINAL THICKNESS	.032	.032				TERMINAL THICKNESS	.032	.032		

NOTES:
 1. DIMENSIONS FOR REFERENCE ONLY.
 2. WINDING PROTECTION-INHERENTLY LIMITING

CERTIFICATION:UL/CUL FILE NO E87824

ALL Q.C. .250 X .032



SCHMATIC

TYCO PART NUMBER
 8-1611470-4

THIS DRAWING IS A CONTROLLED DOCUMENT.		DWN K.H.	29JUN04	Tyco Electronics Corporation Harrisburg, PA 17105-3608	
DIMENSIONS: INCHES		CHK -	-	Products -www.tycoelectronics.com	
TOLERANCES UNLESS OTHERWISE SPECIFIED:		APVD DH	29JUN04	NAME	
0 PLC ± -		PRODUCT SPEC	-	TRANSFORMER OUTLINE P.U. STOCK	
1 PLC ± -		APPLICATION SPEC	-	SIZE	CAGE CODE
2 PLC ± .010				A3	00779
3 PLC ± .005		WEIGHT	-	DRAWING NO	RESTRICTED TO
4 PLC ± -				C=4000-02C02BB999	
ANGLES ± -		CUSTOMER DRAWING		SCALE	SHEET
MATERIAL				NTS	1 OF 1
FINISH				REV	0