



Chipsmall Limited consists of a professional team with an average of over 10 year of expertise in the distribution of electronic components. Based in Hongkong, we have already established firm and mutual-benefit business relationships with customers from,Europe,America and south Asia,supplying obsolete and hard-to-find components to meet their specific needs.

With the principle of "Quality Parts,Customers Priority,Honest Operation,and Considerate Service",our business mainly focus on the distribution of electronic components. Line cards we deal with include Microchip,ALPS,ROHM,Xilinx,Pulse,ON,Everlight and Freescale. Main products comprise IC,Modules,Potentiometer,IC Socket,Relay,Connector.Our parts cover such applications as commercial,industrial, and automotives areas.

We are looking forward to setting up business relationship with you and hope to provide you with the best service and solution. Let us make a better world for our industry!



Contact us

Tel: +86-755-8981 8866 Fax: +86-755-8427 6832

Email & Skype: info@chipsmall.com Web: www.chipsmall.com

Address: A1208, Overseas Decoration Building, #122 Zhenhua RD., Futian, Shenzhen, China



THIS DRAWING IS UNPUBLISHED. RELEASED FOR PUBLICATION
 © COPYRIGHT - BY TYCO ELECTRONICS CORPORATION. ALL RIGHTS RESERVED.

LOC	DIST	REVISIONS					
GZ	00	P	LTR	DESCRIPTION	DATE	DWN	APVD
		A		NEW FORMAT & EC0720-0089-04	13FEB04	MD	KH

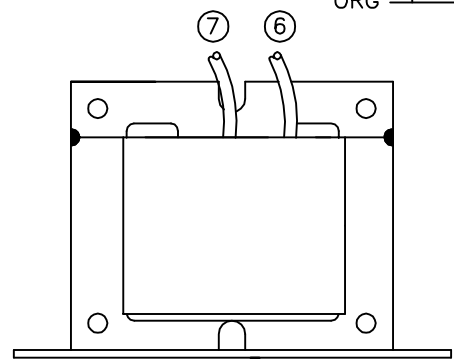
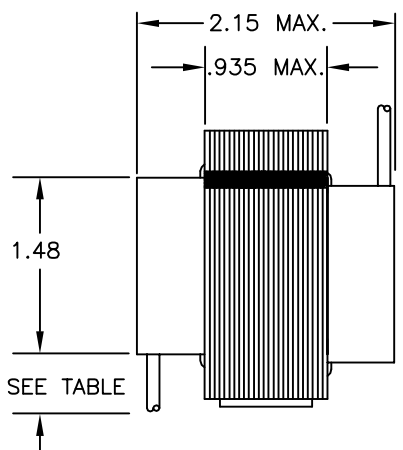
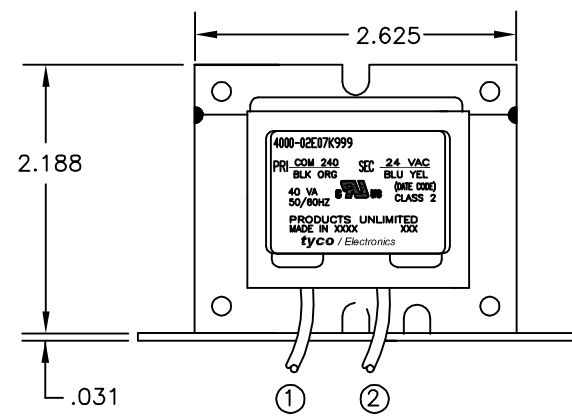
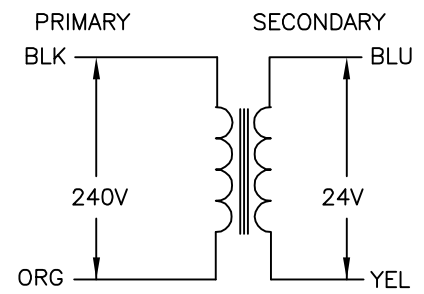
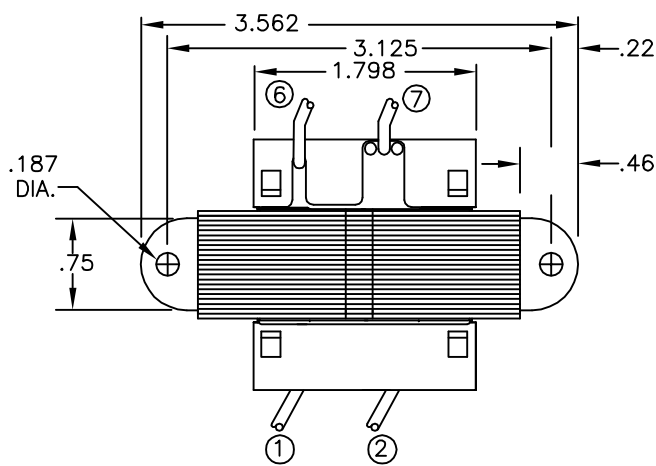
ALL LEADS 18AWG--UNLESS OTHERWISE SPECIFIED

PRIMARY					
LEAD NO.	1	2			
VOLTAGE	COM	240			
COLOR	BLK	ORG			
LENGTH	12.0	12.0			
STRIP LENGTH	.50	.50			

- NOTES
1. DIMENSIONS FOR REFERENCE ONLY.
 2. ALL LEADS +1"/-0" TOL.
 3. STRIP TOL. ±1/32
 4. WINDING PROTECTION--INHERENTLY LIMITING

CERTIFICATION:
UL & CUL FILE NO. E87824

SECONDARY					
LEAD NO.	6	7			
VOLTAGE	24	VAC			
COLOR	BLU	YEL			
LENGTH	12.0	12.0			
STRIP LENGTH	.50	.50			



THIS DRAWING IS A CONTROLLED DOCUMENT.		DWN	M.DAVIS	13FEB04
DIMENSIONS: INCHES		CHK	K.HOLSCHUH	13FEB04
TOLERANCES UNLESS OTHERWISE SPECIFIED:		APVD	K.HOLSCHUH	13FEB04
0 PLC	± -	NAME		
1 PLC	± -	TRANSFORMER OUTLINE		
2 PLC	± -	-		
3 PLC	± -	SIZE	A3	CAGE CODE
4 PLC	± -	DRAWING NO	C=4000-02E07K999	
ANGLES	± -	RESTRICTED TO	-	
MATERIAL	-	FINISH	-	
-		WEIGHT	-	
-		CUSTOMER DRAWING	SCALE	NTS
-		SHEET		1 OF 1
-		REV		A