



Chipsmall Limited consists of a professional team with an average of over 10 year of expertise in the distribution of electronic components. Based in Hongkong, we have already established firm and mutual-benefit business relationships with customers from,Europe,America and south Asia,supplying obsolete and hard-to-find components to meet their specific needs.

With the principle of “Quality Parts,Customers Priority,Honest Operation,and Considerate Service”,our business mainly focus on the distribution of electronic components. Line cards we deal with include Microchip,ALPS,ROHM,Xilinx,Pulse,ON,Everlight and Freescale. Main products comprise IC,Modules,Potentiometer,IC Socket,Relay,Connector.Our parts cover such applications as commercial,industrial, and automotives areas.

We are looking forward to setting up business relationship with you and hope to provide you with the best service and solution. Let us make a better world for our industry!



## Contact us

Tel: +86-755-8981 8866 Fax: +86-755-8427 6832

Email & Skype: info@chipsmall.com Web: www.chipsmall.com

Address: A1208, Overseas Decoration Building, #122 Zhenhua RD., Futian, Shenzhen, China



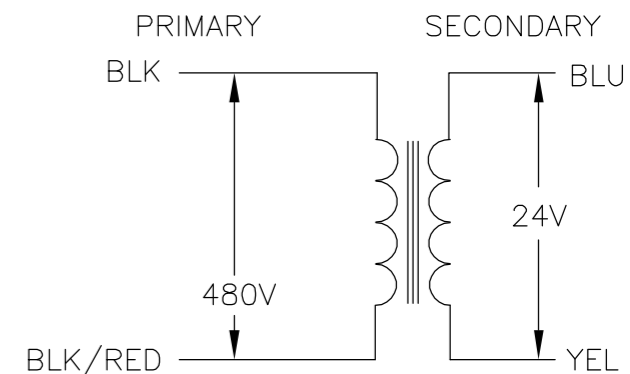
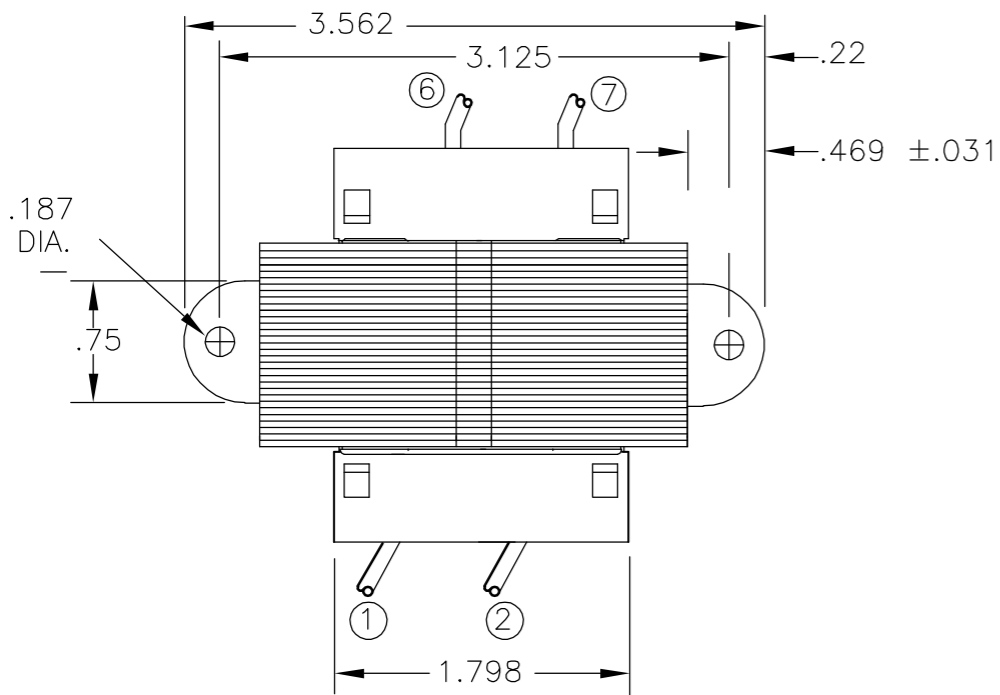
ALL LEADS 18AWG-UNLESS OTHERWISE SPECIFIED

PRIMARY		
LEAD NO.	1	2
VOLTAGE	COM	480
COLOR	BLK	BLK/RED
LENGTH	12.0	12.0
STRIP LENGTH	.50	.50

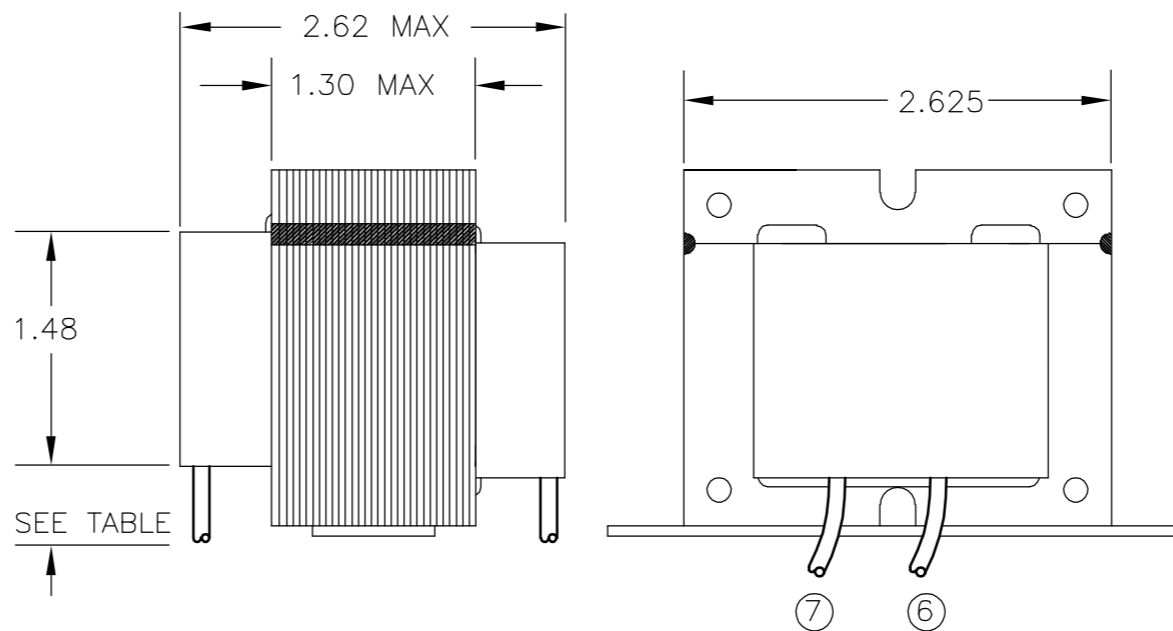
- NOTES
- DIMENSIONS FOR REFERENCE ONLY.
  - ALL LEADS +1"/-0" TOL.
  - STRIP TOL. ±1/32
  - WINDING PROTECTION-INHERENTLY LIMITING

CERTIFICATION:  
UL, CUL FILE NO. E87824

SECONDARY				
LEAD NO.	6	7	8	9
VOLTAGE	24	VAC		
COLOR	BLU	YEL		
LENGTH	12.0	12.0		
STRIP LENGTH	.50	.50		



SCHEMATIC



4000-04AW18K999  
 PRI COM 480 SEC 24 VAC  
 BLK BLK/RED BLU YEL  
 50 VA "B" 130-G  
 50/60HZ CLASS 2  
 PRODUCTS UNLIMITED  
 MADE IN XXXX  
 tyco Electronics

TYCO PART NUMBER  
5-1611461-1

THIS DRAWING IS A CONTROLLED DOCUMENT.		DWN	02OCT1996	
DIMENSIONS: INCHES		CHK	-	
TOLERANCES UNLESS OTHERWISE SPECIFIED:		APVD	-	
0 PLC ± -		PRODUCT SPEC	-	
1 PLC ± -		APPLICATION SPEC	-	
2 PLC ± -		WEIGHT	-	
3 PLC ± -		Tyco Electronics Corporation Harrisburg, PA 17105-3608		
4 PLC ± -		NAME TRANSFORMER OUTLINE		
ANGLES ± -		SIZE	CAGE CODE	DRAWING NO
MATERIAL -		FINISH -	A3	00779
		C= 4000-04AW18K999		RESTRICTED TO
		CUSTOMER DRAWING		SCALE NONE
		SHEET 1 OF 1		REV B