



Chipsmall Limited consists of a professional team with an average of over 10 year of expertise in the distribution of electronic components. Based in Hongkong, we have already established firm and mutual-benefit business relationships with customers from,Europe,America and south Asia,supplying obsolete and hard-to-find components to meet their specific needs.

With the principle of “Quality Parts,Customers Priority,Honest Operation,and Considerate Service”,our business mainly focus on the distribution of electronic components. Line cards we deal with include Microchip,ALPS,ROHM,Xilinx,Pulse,ON,Everlight and Freescale. Main products comprise IC,Modules,Potentiometer,IC Socket,Relay,Connector.Our parts cover such applications as commercial,industrial, and automotives areas.

We are looking forward to setting up business relationship with you and hope to provide you with the best service and solution. Let us make a better world for our industry!



## Contact us

Tel: +86-755-8981 8866 Fax: +86-755-8427 6832

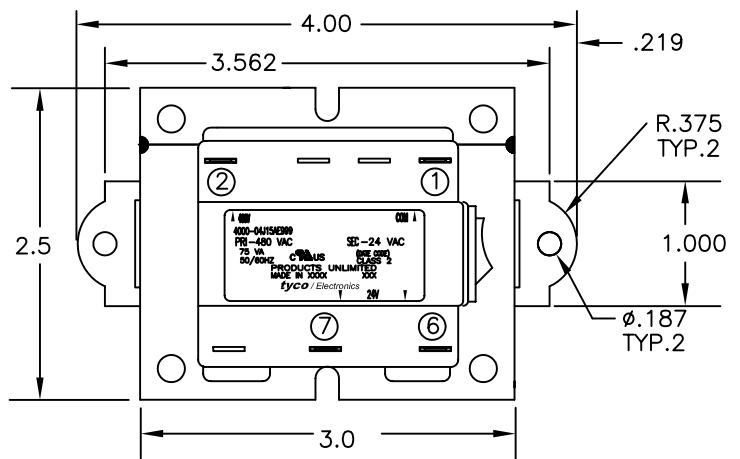
Email & Skype: info@chipsmall.com Web: www.chipsmall.com

Address: A1208, Overseas Decoration Building, #122 Zhenhua RD., Futian, Shenzhen, China



THIS DRAWING IS UNPUBLISHED. RELEASED FOR PUBLICATION  
 © COPYRIGHT - BY TYCO ELECTRONICS CORPORATION. ALL RIGHTS RESERVED.

LOC	DIST	REVISIONS					
GZ	00	P	LTR	DESCRIPTION	DATE	DWN	APVD
		B		ECR-06-022111	14SEP06	KH	HT

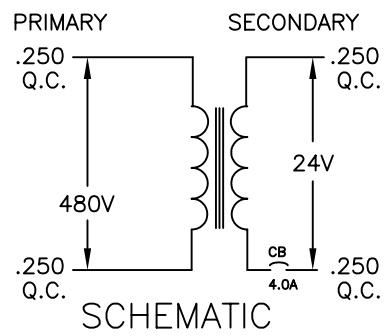
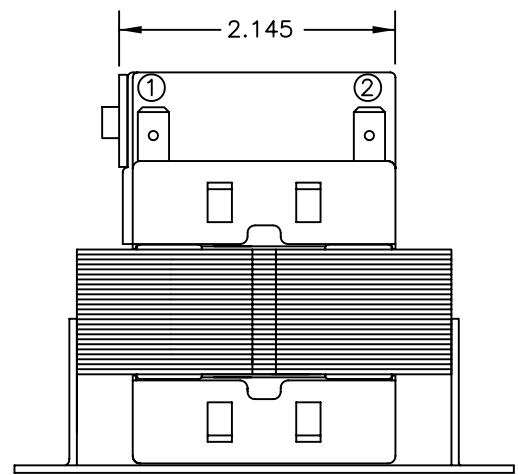
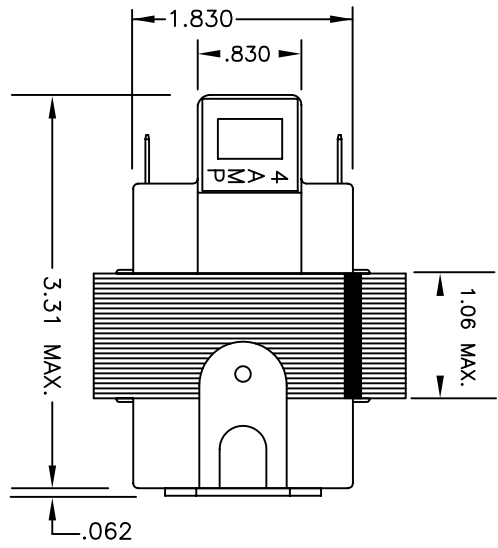
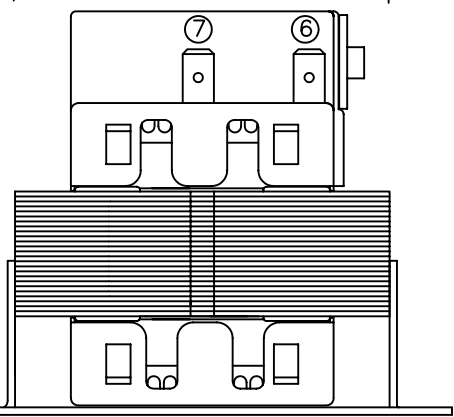


PRIMARY					SECONDARY				
TERM NO.	1	2	3	4	5	6	7	8	9
VOLTAGE	COM	480				24	VAC		
TERMINAL WIDTH	.250	.250				.250	.250		
TERMINAL THICKNESS	.032	.032				.032	.032		

NOTES:  
 1. DIMENSIONS FOR REFERENCE ONLY.  
 2. WINDING PROTECTION—4.0 AMP CIRCUIT BREAKER IN SECONDARY NON-NHERENTLY LIMITED

CERTIFICATION:UL/CUL FILE NO E87824

D  
C  
B  
A



TYCO PART NUMBER  
4-1611468-3

THIS DRAWING IS A CONTROLLED DOCUMENT.		DWN K.H.	02FEB04	<p>Tyco Electronics Corporation Harrisburg, PA 17105-3608</p>											
DIMENSIONS: INCHES		CHK DH	02FEB04												
TOLERANCES UNLESS OTHERWISE SPECIFIED:		APVD HT	02FEB04												
<table border="1"> <tr><td>0 PLC</td><td>± -</td></tr> <tr><td>1 PLC</td><td>± -</td></tr> <tr><td>2 PLC</td><td>± .01</td></tr> <tr><td>3 PLC</td><td>± .005</td></tr> <tr><td>4 PLC</td><td>± -</td></tr> <tr><td>ANGLES</td><td>± -</td></tr> </table>		0 PLC	± -		1 PLC	± -	2 PLC	± .01	3 PLC	± .005	4 PLC	± -	ANGLES	± -	PRODUCT SPEC
0 PLC	± -														
1 PLC	± -														
2 PLC	± .01														
3 PLC	± .005														
4 PLC	± -														
ANGLES	± -														
MATERIAL	FINISH	APPLICATION SPEC	RESTRICTED TO												
		WEIGHT	SIZE	CAGE CODE	DRAWING NO	RESTRICTED TO									
		CUSTOMER DRAWING	A3	00779	C=4000-04J15AE999										
		SCALE	1:1	SHEET	1 OF 1	REV	B								