



Chipsmall Limited consists of a professional team with an average of over 10 year of expertise in the distribution of electronic components. Based in Hongkong, we have already established firm and mutual-benefit business relationships with customers from,Europe,America and south Asia,supplying obsolete and hard-to-find components to meet their specific needs.

With the principle of “Quality Parts,Customers Priority,Honest Operation,and Considerate Service”,our business mainly focus on the distribution of electronic components. Line cards we deal with include Microchip,ALPS,ROHM,Xilinx,Pulse,ON,Everlight and Freescale. Main products comprise IC,Modules,Potentiometer,IC Socket,Relay,Connector.Our parts cover such applications as commercial,industrial, and automotives areas.

We are looking forward to setting up business relationship with you and hope to provide you with the best service and solution. Let us make a better world for our industry!



Contact us

Tel: +86-755-8981 8866 Fax: +86-755-8427 6832

Email & Skype: info@chipsmall.com Web: www.chipsmall.com

Address: A1208, Overseas Decoration Building, #122 Zhenhua RD., Futian, Shenzhen, China



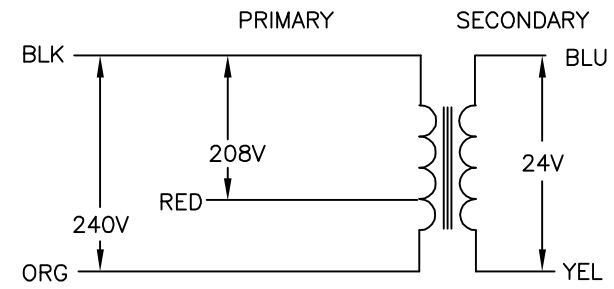
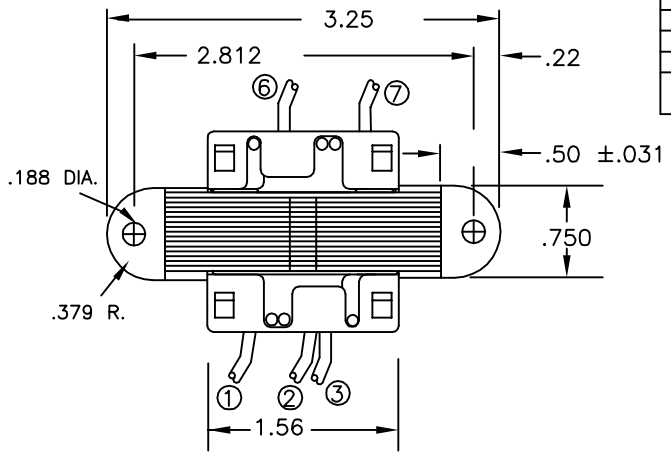
ALL LEADS 18AWG-UNLESS OTHERWISE SPECIFIED

PRIMARY					
LEAD NO.	1	2	3	4	5
VOLTAGE	COM	208	240		
COLOR	BLK	RED	ORG		
LENGTH	12.0	12.0	12.0		
STRIP LENGTH	.50	.50	.50		

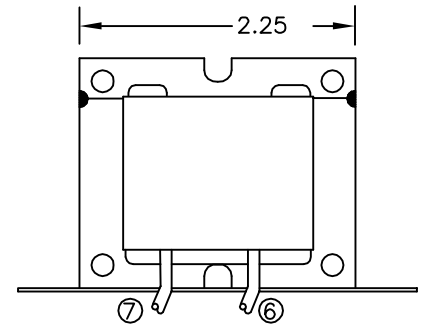
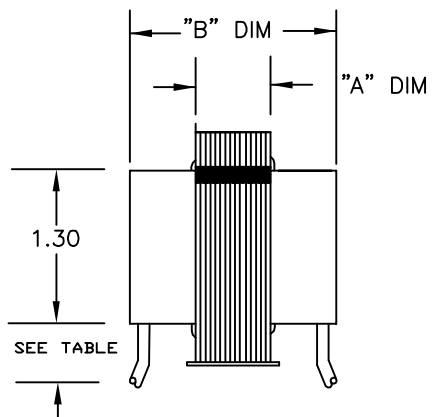
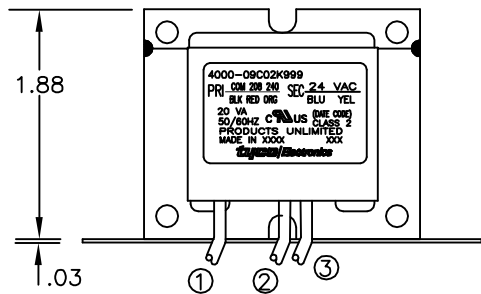
- NOTES
- DIMENSIONS FOR REFERENCE ONLY.
 - ALL LEADS +1"/-0" TOL.
 - STRIP TOL. ±1/32
 - WINDING PROTECTION-INHERENTLY LIMITING

CERTIFICATION: UL & CSA FILE NO. E87824

SECONDARY				
LEAD NO.	6	7	8	9
VOLTAGE	24	VAC		
COLOR	BLU	YEL		
LENGTH	12.0	12.0		
STRIP LENGTH	.50	.50		



SCHMATIC



4000-09C02K999
 PRI. 09C 208 240 SEC. 24 VAC.
 BLK RED ORG SEC. BLU YEL
 20 VA 50/60Hz CLASS 2
 PRODUCTS UNLIMITED
 MADE IN XXXX
 Tyco Electronics

CUST. NO.	TYCO PART NUMBER
-	6-1611449-0

THIS DRAWING IS A CONTROLLED DOCUMENT.		DWN M.DAVIS 02FEB04	
		CHK W.SORAH 02FEB04	
		APVD W.SORAH 02FEB04	NAME TRANSFORMER OUTLINE
		PRODUCT SPEC	
		APPLICATION SPEC	SIZE A3 CAGE CODE 00779 DRAWING NO C=4000-09C02K999 RESTRICTED TO
		WEIGHT	
CUSTOMER DRAWING		SCALE NTS	SHEET 1 OF 1 REV A

DIMENSIONS:	TOLERANCES UNLESS OTHERWISE SPECIFIED:
INCHES	
0 PLC	± -
1 PLC	± .1
2 PLC	± .01
3 PLC	± .003
4 PLC	± -
ANGLES	± 1'

MATERIAL	FINISH
-	-