



Chipsmall Limited consists of a professional team with an average of over 10 year of expertise in the distribution of electronic components. Based in Hongkong, we have already established firm and mutual-benefit business relationships with customers from,Europe,America and south Asia,supplying obsolete and hard-to-find components to meet their specific needs.

With the principle of “Quality Parts,Customers Priority,Honest Operation,and Considerate Service”,our business mainly focus on the distribution of electronic components. Line cards we deal with include Microchip,ALPS,ROHM,Xilinx,Pulse,ON,Everlight and Freescale. Main products comprise IC,Modules,Potentiometer,IC Socket,Relay,Connector.Our parts cover such applications as commercial,industrial, and automotives areas.

We are looking forward to setting up business relationship with you and hope to provide you with the best service and solution. Let us make a better world for our industry!



Contact us

Tel: +86-755-8981 8866 Fax: +86-755-8427 6832

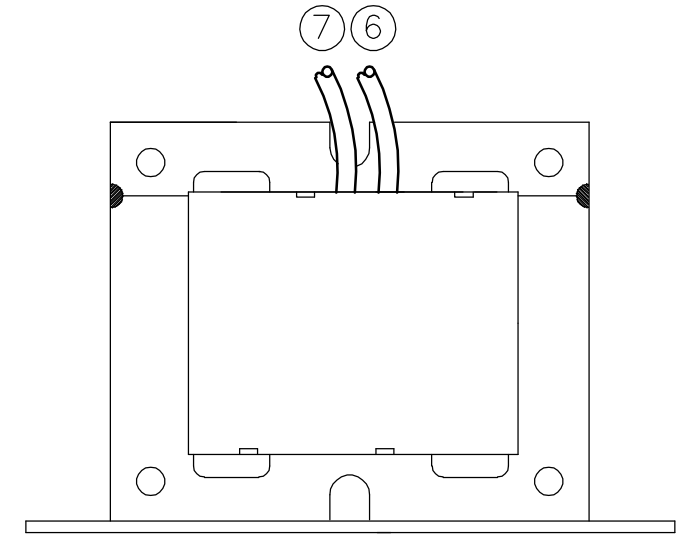
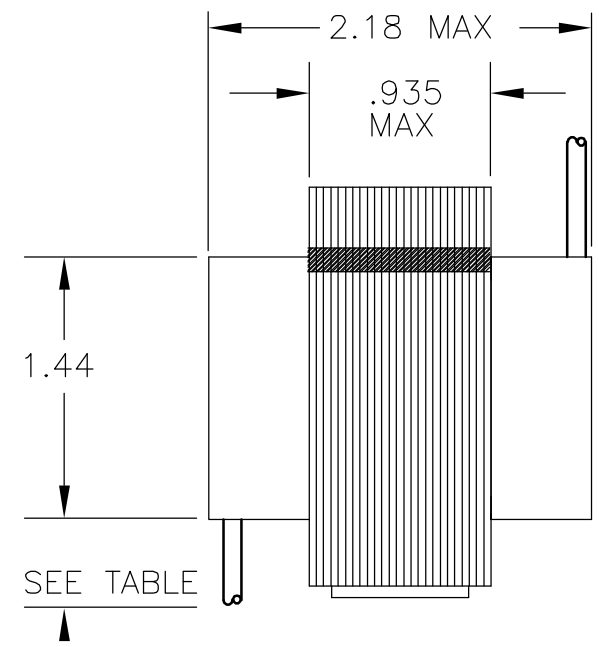
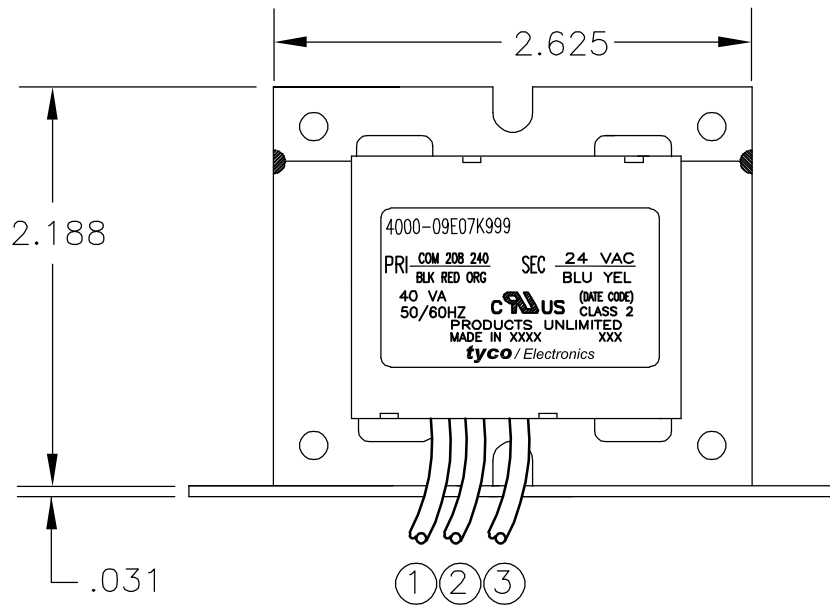
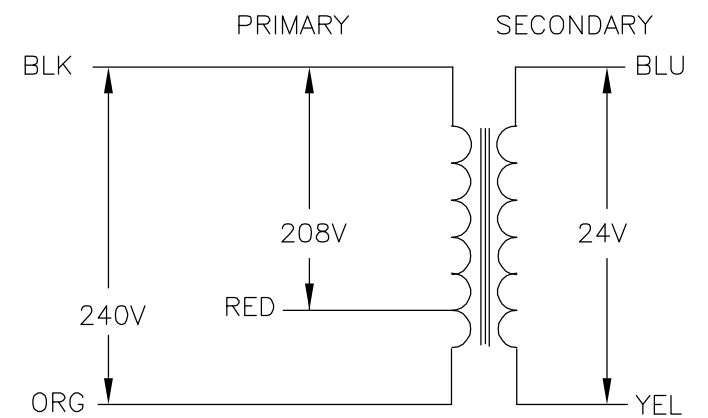
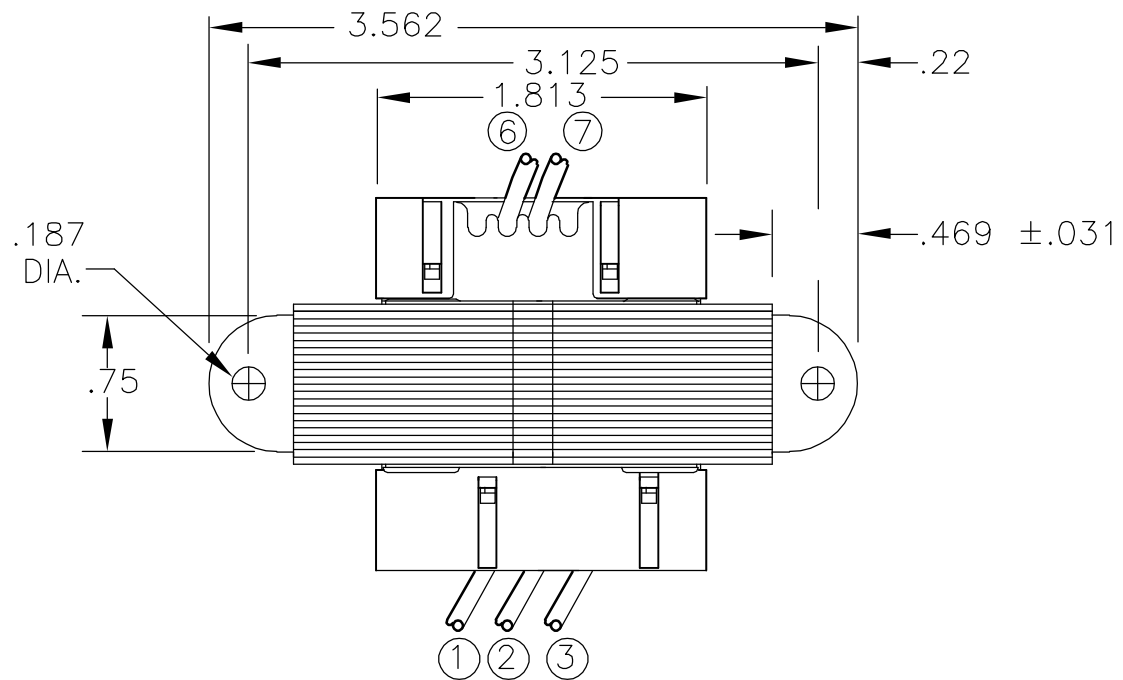
Email & Skype: info@chipsmall.com Web: www.chipsmall.com

Address: A1208, Overseas Decoration Building, #122 Zhenhua RD., Futian, Shenzhen, China



LOC	DIST	REVISIONS					
GZ	00	P	LTR	DESCRIPTION	DATE	DWN	APVD
		B		0611-0155-03	16MAY2003	TCS	KH

ALL LEADS 18AWG-UNLESS OTHERWISE SPECIFIED					NOTES: 1. DIMENSIONS FOR REFERENCE ONLY. 2. ALL LEADS +1"/-0" TOL. 3. STRIP TOL. ±1/32 4. WINDING PROTECTION-INHERENTLY LIMITING				CERTIFICATION: UL & CUL FILE NO. E87824				
PRIMARY LEAD COLOR CODE					SECONDARY LEAD COLOR CODE								
LEAD NO.	1	2	3	4	5	LEAD NO.	6	7	8	9			
VOLTAGE	COM	208	240			VOLTAGE	24	VAC					
COLOR	BLK	RED	ORG			COLOR	BLU	YEL					
LENGTH	12.0	12.0	12.0			LENGTH	12.0	12.0					
STRIP LENGTH	.50	.50	.50			STRIP LENGTH	.50	.50					



TYCO PART NUMBER
2-1611455-4

THIS DRAWING IS A CONTROLLED DOCUMENT.		DWN	2/11/97		Tyco Electronics Corporation		
		CHK	-		Harrisburg, PA 17105-3608		
DIMENSIONS: INCHES		APVD	-		NAME		
TOLERANCES UNLESS OTHERWISE SPECIFIED:		PRODUCT SPEC	-		-		
0 PLC ± -		APPLICATION SPEC	-		-		
1 PLC ± -		WEIGHT	-		SIZE	CAGE CODE	DRAWING NO
2 PLC ± -				A3	00779	C-4000-09E07K999	RESTRICTED TO
3 PLC ± -							-
4 PLC ± -							-
ANGLES ± -							-
FINISH							-
MATERIAL							-
CUSTOMER DRAWING				SCALE	NTS	SHEET	1 OF 1
				REV	B		