



Chipsmall Limited consists of a professional team with an average of over 10 year of expertise in the distribution of electronic components. Based in Hongkong, we have already established firm and mutual-benefit business relationships with customers from,Europe,America and south Asia,supplying obsolete and hard-to-find components to meet their specific needs.

With the principle of "Quality Parts,Customers Priority,Honest Operation,and Considerate Service",our business mainly focus on the distribution of electronic components. Line cards we deal with include Microchip,ALPS,ROHM,Xilinx,Pulse,ON,Everlight and Freescale. Main products comprise IC,Modules,Potentiometer,IC Socket,Relay,Connector.Our parts cover such applications as commercial,industrial, and automotives areas.

We are looking forward to setting up business relationship with you and hope to provide you with the best service and solution. Let us make a better world for our industry!



Contact us

Tel: +86-755-8981 8866 Fax: +86-755-8427 6832

Email & Skype: info@chipsmall.com Web: www.chipsmall.com

Address: A1208, Overseas Decoration Building, #122 Zhenhua RD., Futian, Shenzhen, China



THIS DRAWING IS UNPUBLISHED. RELEASED FOR PUBLICATION
 © COPYRIGHT BY TYCO ELECTRONICS CORPORATION. ALL RIGHTS RESERVED.

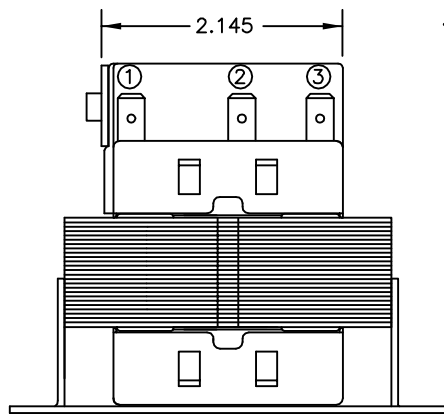
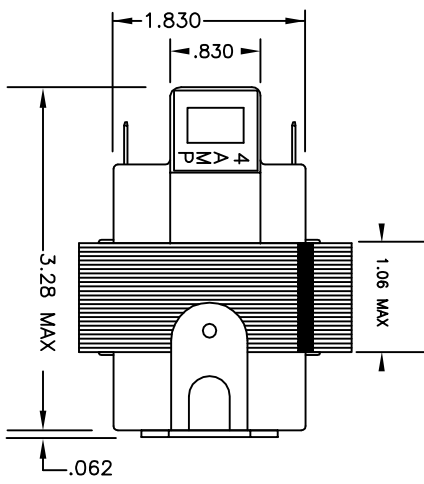
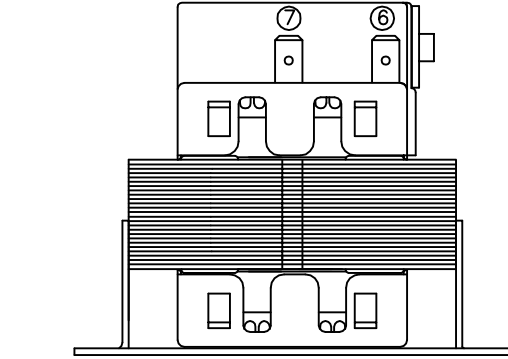
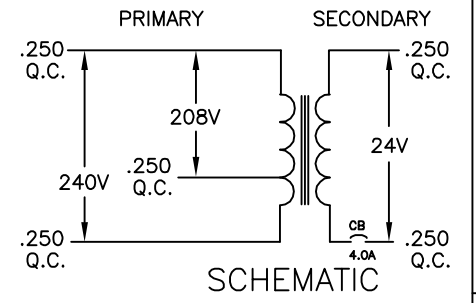
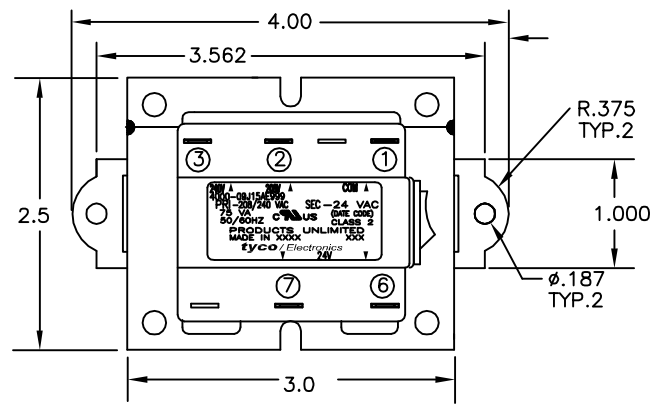
LOC	DIST	REVISIONS		
GZ	00	P	LTR	DESCRIPTION
		B		EC 0611-0299-03
			DATE	DWN
			16JUN03	MD
				APVD
				WS

PRIMARY				
TERMINAL	1	2	3	4
VOLTAGE	COM	208	240	
TERMINAL WIDTH	.250	.250	.250	
TERMINAL THICKNESS	.032	.032	.032	

- NOTES
- DIMENSIONS FOR REFERENCE ONLY.
 - WINDING PROTECTION- 4.0 AMP CIRCUIT BREAKER IN SECONDARY NON-INHERENTLY LIMITING

SECONDARY			
TERMINAL	6	7	8
VOLTAGE	24	VAC	
TERMINAL WIDTH	.250	.250	
TERMINAL THICKNESS	.032	.032	

CERTIFICATION:
UL & CUL FILE NO. E87824



TYCO PART NUMBER
7-1611468-5

THIS DRAWING IS A CONTROLLED DOCUMENT.		DWN	10FEB1997	Tyco Electronics Corporation	
DIMENSIONS: INCHES		CHK	K.H.	Harrisburg, PA 17105-3608	
TOLERANCES UNLESS OTHERWISE SPECIFIED:		APVD	-	NAME	
0 PLC ± -		PRODUCT SPEC	-	TRANSFORMER OUTLINE	
1 PLC ± -		APPLICATION SPEC	-	SIZE	A3
2 PLC ± -		WEIGHT	-	CAGE CODE	00779
3 PLC ± -		CUSTOMER DRAWING	-	DRAWING NO	C-4000-09J15AE999
4 PLC ± -				RESTRICTED TO	-
ANGLES ± -				SCALE	NONE
MATERIAL				SHEET	1 OF 1
FINISH				REV	B