



Chipsmall Limited consists of a professional team with an average of over 10 year of expertise in the distribution of electronic components. Based in Hongkong, we have already established firm and mutual-benefit business relationships with customers from,Europe,America and south Asia,supplying obsolete and hard-to-find components to meet their specific needs.

With the principle of “Quality Parts,Customers Priority,Honest Operation,and Considerate Service”,our business mainly focus on the distribution of electronic components. Line cards we deal with include Microchip,ALPS,ROHM,Xilinx,Pulse,ON,Everlight and Freescale. Main products comprise IC,Modules,Potentiometer,IC Socket,Relay,Connector.Our parts cover such applications as commercial,industrial, and automotives areas.

We are looking forward to setting up business relationship with you and hope to provide you with the best service and solution. Let us make a better world for our industry!



## Contact us

Tel: +86-755-8981 8866 Fax: +86-755-8427 6832

Email & Skype: info@chipsmall.com Web: www.chipsmall.com

Address: A1208, Overseas Decoration Building, #122 Zhenhua RD., Futian, Shenzhen, China



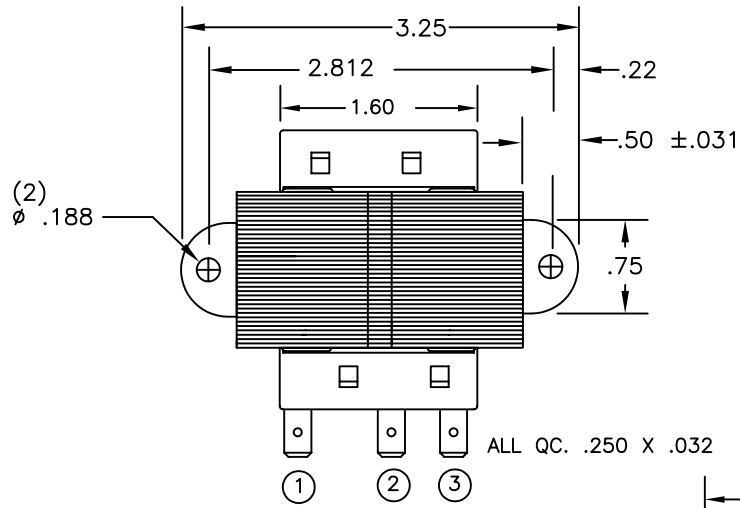
THIS DRAWING IS UNPUBLISHED. RELEASED FOR PUBLICATION  
 © COPYRIGHT - BY TYCO ELECTRONICS CORPORATION. ALL RIGHTS RESERVED.

LOC	DIST	REVISIONS					
GZ	00	P	LTR	DESCRIPTION	DATE	DWN	APVD
		A		NPR-PU08-040	16APRO8	KH	HT

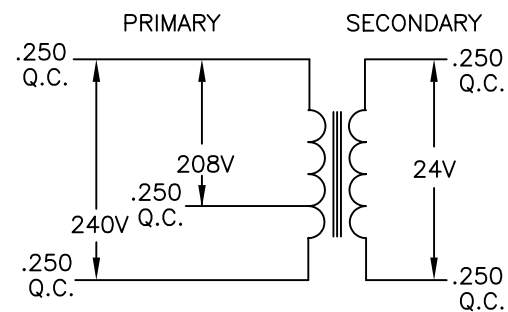
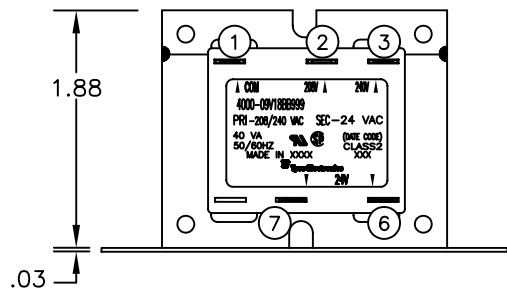
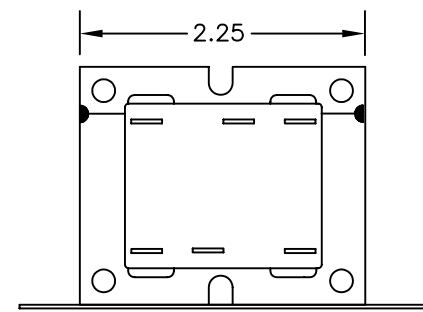
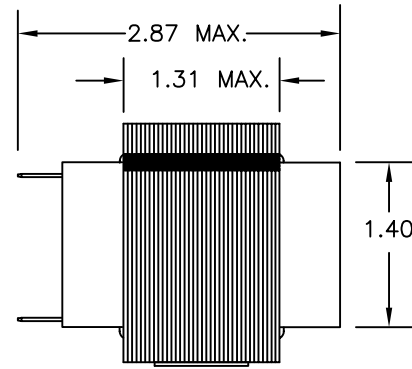
PRIMARY TERMINATION CODE					SECONDARY TERMINATION CODE					
TERM NO.	1	2	3	4	5	TERM NO.	6	7	8	9
VOLTAGE	COM	208	240			VOLTAGE	24	VAC		
TERMINAL WIDTH	.250	.250	.250			TERMINAL WIDTH	.250	.250		
TERMINAL THICKNESS	.032	.032	.032			TERMINAL THICKNESS	.032	.032		

NOTES  
 1. DIMENSIONS FOR REFERENCE ONLY.  
 2. WINDING PROTECTION-INHERENTLY LIMITED

CERTIFICATION: UL/CUL FILE NO. E87824



ALL QC. .250 X .032



SCHEMATIC

TYCO ELECTRONICS PART NUMBER  
 7-1611513-3

THIS DRAWING IS A CONTROLLED DOCUMENT.		DWN	K.H.	16APRO8	Tyco Electronics Corporation Harrisburg, PA 17105-3608		
DIMENSIONS: INCHES		CHK	DH	16APRO8			
TOLERANCES UNLESS OTHERWISE SPECIFIED:		APVD	HT	16APRO8			
0 PLC ± - 1 PLC ± - 2 PLC ± .01 3 PLC ± .005 4 PLC ± - ANGLES ± -		NAME		PRODUCT SPEC			
MATERIAL		FINISH		APPLICATION SPEC	TRANSFORMER OUTLINE P.U. STOCK		
		WEIGHT		SIZE	CAGE CODE	DRAWING NO	RESTRICTED TO
				A3	00779	C=4000-09V18BB999	
CUSTOMER DRAWING				SCALE	1:1	SHEET	1 OF 1
				REV A			