



Chipsmall Limited consists of a professional team with an average of over 10 year of expertise in the distribution of electronic components. Based in Hongkong, we have already established firm and mutual-benefit business relationships with customers from,Europe,America and south Asia,supplying obsolete and hard-to-find components to meet their specific needs.

With the principle of “Quality Parts,Customers Priority,Honest Operation,and Considerate Service”,our business mainly focus on the distribution of electronic components. Line cards we deal with include Microchip,ALPS,ROHM,Xilinx,Pulse,ON,Everlight and Freescale. Main products comprise IC,Modules,Potentiometer,IC Socket,Relay,Connector.Our parts cover such applications as commercial,industrial, and automotives areas.

We are looking forward to setting up business relationship with you and hope to provide you with the best service and solution. Let us make a better world for our industry!



Contact us

Tel: +86-755-8981 8866 Fax: +86-755-8427 6832

Email & Skype: info@chipsmall.com Web: www.chipsmall.com

Address: A1208, Overseas Decoration Building, #122 Zhenhua RD., Futian, Shenzhen, China



THIS DRAWING IS UNPUBLISHED. RELEASED FOR PUBLICATION

© COPYRIGHT BY TYCO ELECTRONICS CORPORATION. ALL RIGHTS RESERVED.

LOC GZ DIST 00

REVISIONS

P	LTR	DESCRIPTION	DATE	DWN	APVD
A		NEW FORMAT & EC0720-0114-04	23FEB04	MD	KH

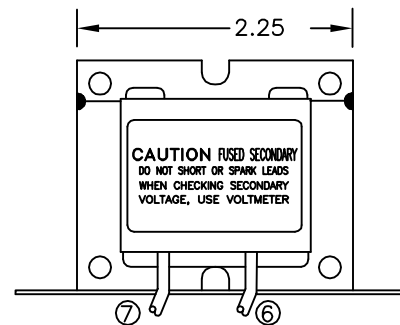
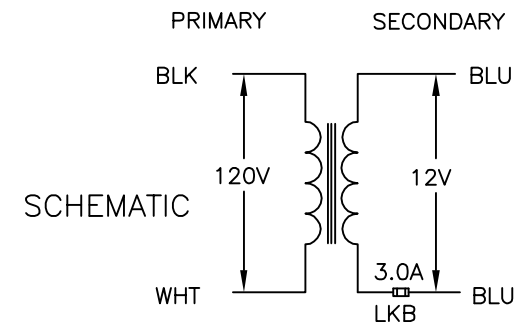
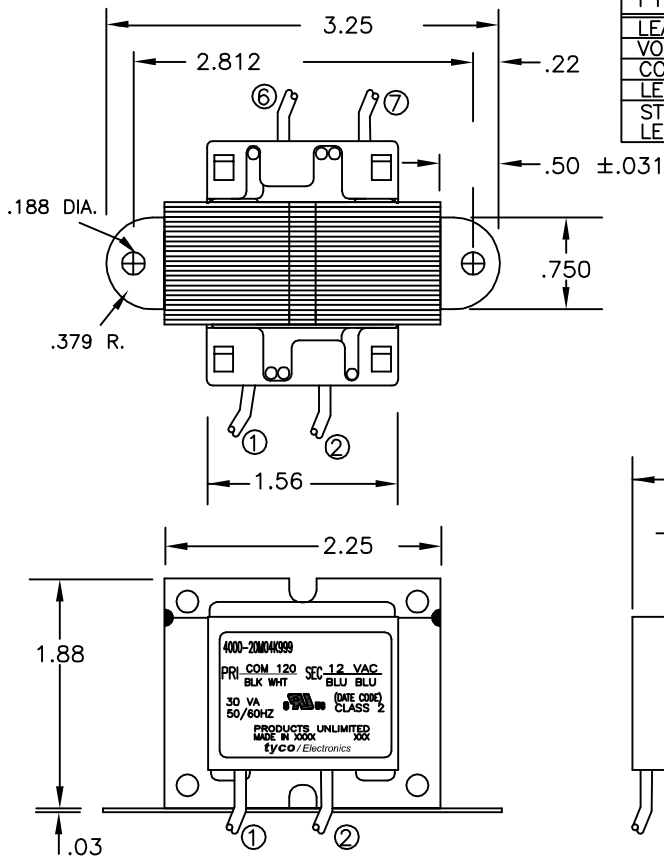
ALL LEADS 18AWG--UNLESS OTHERWISE SPECIFIED

PRIMARY					
LEAD NO.	1	2	3	4	5
VOLTAGE	COM	120			
COLOR	BLK	WHT			
LENGTH	12.0	12.0			
STRIP LENGTH	.50	.50			

- NOTES
1. DIMENSIONS FOR REFERENCE ONLY.
 2. ALL LEADS +1"/-0" TOL.
 3. STRIP TOL. ±1/32
 4. WINDING PROTECTION-- 3.0 AMP LKB FUSE IN SECONDARY NON-INHERENTLY LIMITED

CERTIFICATION: UL & CUL FILE NO. E87824

SECONDARY				
LEAD NO.	6	7	8	9
VOLTAGE	12	VAC		
COLOR	BLU	BLU		
LENGTH	12.0	12.0		
STRIP LENGTH	.50	.50		



THIS DRAWING IS A CONTROLLED DOCUMENT.

DIMENSIONS:	TOLERANCES UNLESS OTHERWISE SPECIFIED:
INCHES	
	0 PLC ± -
	1 PLC ± -
	2 PLC ± -
	3 PLC ± -
	4 PLC ± -
	ANGLES ± 1'

MATERIAL	FINISH
-	-

DWN M.DAVIS 23FEB04	CUST. NO. -	TYCO PART NUMBER 4-1611450-4
CHK K.HOLSCHUH 23FEB04	Tyco Electronics Corporation Harrisburg, Pa 17105-3608	
APVD K.HOLSCHUH 23FEB04	NAME TRANSFORMER OUTLINE	
PRODUCT SPEC -	-	
APPLICATION SPEC -	-	
WEIGHT -	SIZE A3	CAGE CODE 00779
CUSTOMER DRAWING	DRAWING NO C=4000-20M04K999	RESTRICTED TO -
	SCALE NTS	SHEET 1 OF 1
		REV A