



Chipsmall Limited consists of a professional team with an average of over 10 year of expertise in the distribution of electronic components. Based in Hongkong, we have already established firm and mutual-benefit business relationships with customers from,Europe,America and south Asia,supplying obsolete and hard-to-find components to meet their specific needs.

With the principle of "Quality Parts,Customers Priority,Honest Operation,and Considerate Service",our business mainly focus on the distribution of electronic components. Line cards we deal with include Microchip,ALPS,ROHM,Xilinx,Pulse,ON,Everlight and Freescale. Main products comprise IC,Modules,Potentiometer,IC Socket,Relay,Connector.Our parts cover such applications as commercial,industrial, and automotives areas.

We are looking forward to setting up business relationship with you and hope to provide you with the best service and solution. Let us make a better world for our industry!



Contact us

Tel: +86-755-8981 8866 Fax: +86-755-8427 6832

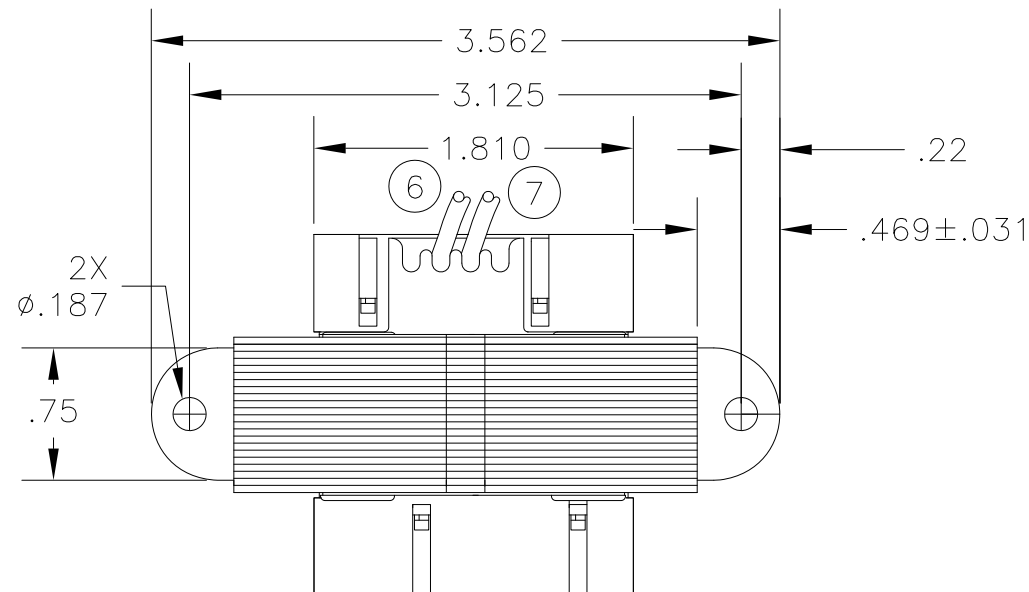
Email & Skype: info@chipsmall.com Web: www.chipsmall.com

Address: A1208, Overseas Decoration Building, #122 Zhenhua RD., Futian, Shenzhen, China



THIS DRAWING IS UNPUBLISHED. RELEASED FOR PUBLICATION
 © COPYRIGHT BY TYCO ELECTRONICS CORPORATION. ALL INTERNATIONAL RIGHTS RESERVED.

LOC	DIST	REVISIONS					
GZ	00	P	LTR	DESCRIPTION	DATE	DWN	APVD
		B		ECR-10-011673	14JUN2010	SPN	DB



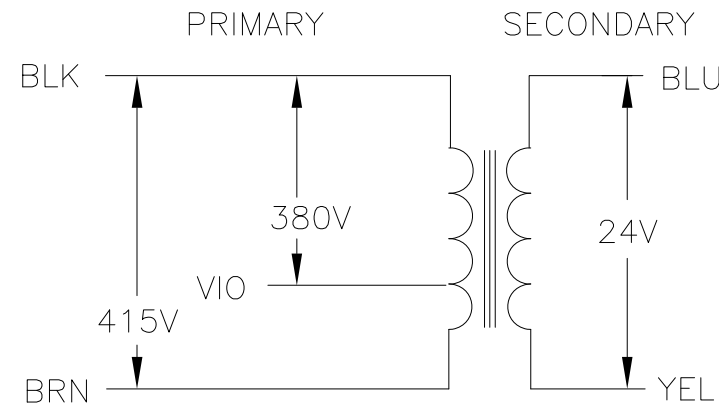
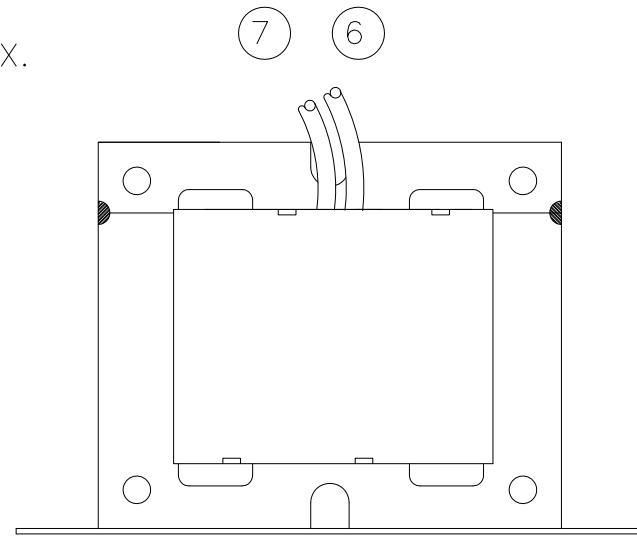
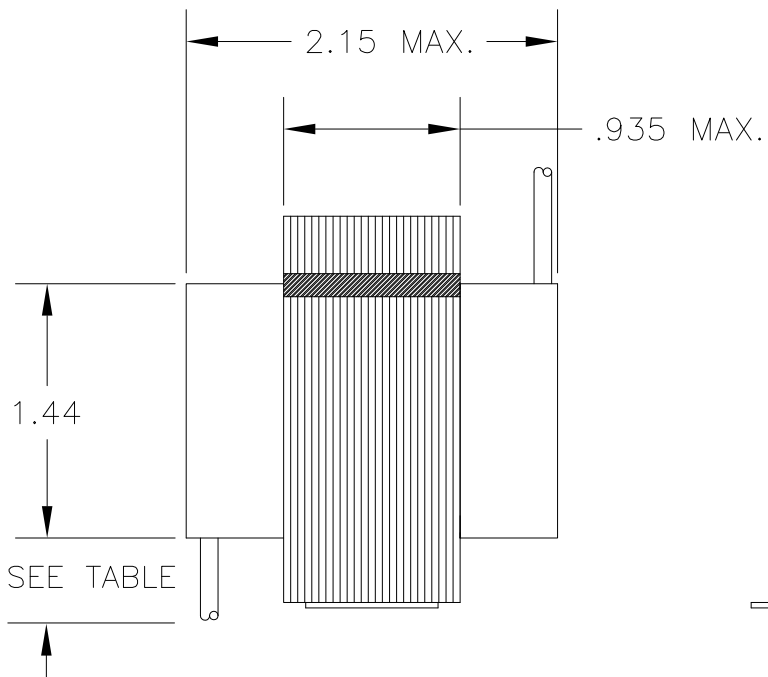
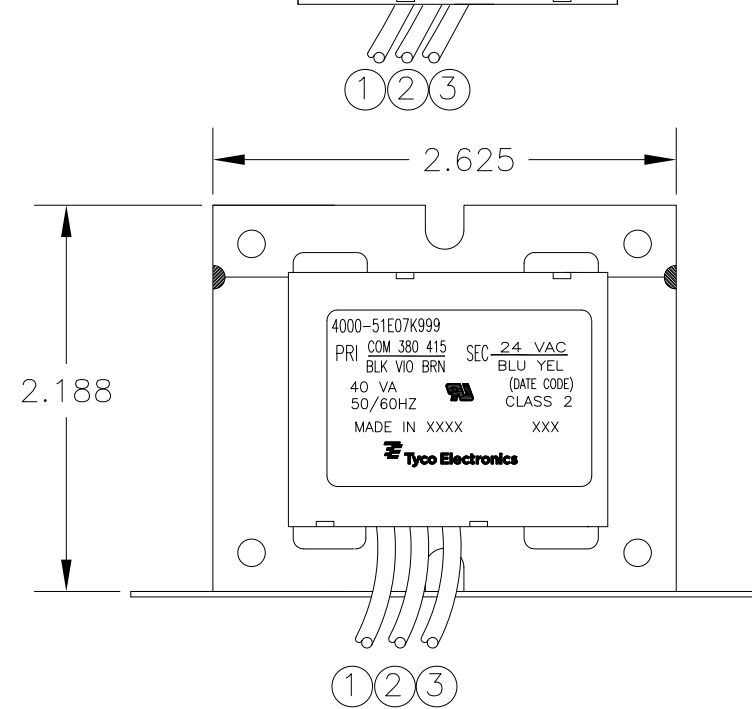
ALL LEADS 18AWG-UNLESS OTHERWISE SPECIFIED

PRIMARY					
LEAD NO.	1	2	3	4	5
VOLTAGE	COM	380	415		
COLOR	BLK	VIO	BRN		
LENGTH	12.0	12.0	12.0		
STRIP LENGTH	.50	.50	.50		

NOTES
 1. WINDING PROTECTION-INHERENTLY LIMITING

CERTIFICATION:(UL ONLY)
 UL FILE NO E87824

SECONDARY				
LEAD NO.	6	7	8	9
VOLTAGE	24	VAC		
COLOR	BLU	YEL		
LENGTH	12.0	12.0		
STRIP LENGTH	.50	.50		



SCHEMATIC

TYCO ELECTRONICS PART NUMBER
 9-1611455-5

THIS DRAWING IS A CONTROLLED DOCUMENT.		DWN	K.H.	10FEB04	Tyco Electronics Corporation Harrisburg, PA 17105-3608
DIMENSIONS: INCHES		CHK	DH	10FEB04	
		APVD	HT	10FEB04	
TOLERANCES UNLESS OTHERWISE SPECIFIED: (REF. ONLY)		NAME		TRANSFORMER OUTLINE	
0 PLC ± -		PRODUCT SPEC		-	
1 PLC ± -		APPLICATION SPEC		-	
2 PLC ± -		SIZE	A3	CAGE CODE	00779
3 PLC ± -		DRAWING NO		C=4000-51E07K999	
4 PLC ± -		WEIGHT		-	
ANGLES ± -		CUSTOMER DRAWING		SCALE	NTS
MATERIAL -		FINISH -		SHEET	1 OF 1
		REV		B	