



Chipsmall Limited consists of a professional team with an average of over 10 year of expertise in the distribution of electronic components. Based in Hongkong, we have already established firm and mutual-benefit business relationships with customers from,Europe,America and south Asia,supplying obsolete and hard-to-find components to meet their specific needs.

With the principle of “Quality Parts,Customers Priority,Honest Operation,and Considerate Service”,our business mainly focus on the distribution of electronic components. Line cards we deal with include Microchip,ALPS,ROHM,Xilinx,Pulse,ON,Everlight and Freescale. Main products comprise IC,Modules,Potentiometer,IC Socket,Relay,Connector.Our parts cover such applications as commercial,industrial, and automotives areas.

We are looking forward to setting up business relationship with you and hope to provide you with the best service and solution. Let us make a better world for our industry!



Contact us

Tel: +86-755-8981 8866 Fax: +86-755-8427 6832

Email & Skype: info@chipsmall.com Web: www.chipsmall.com

Address: A1208, Overseas Decoration Building, #122 Zhenhua RD., Futian, Shenzhen, China



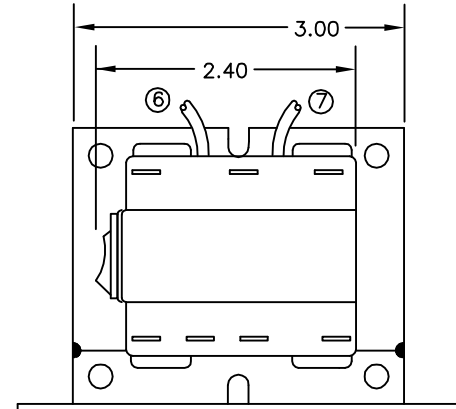
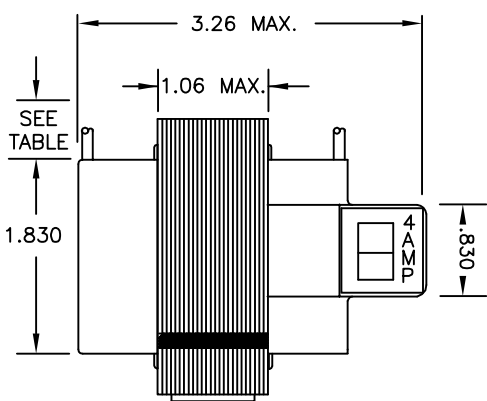
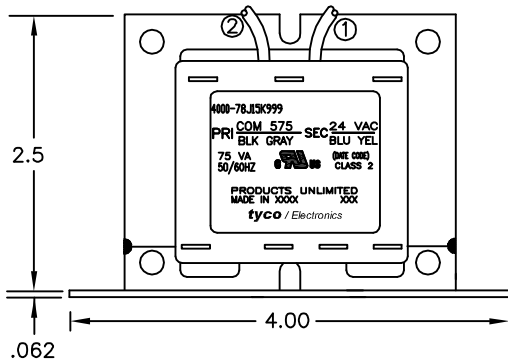
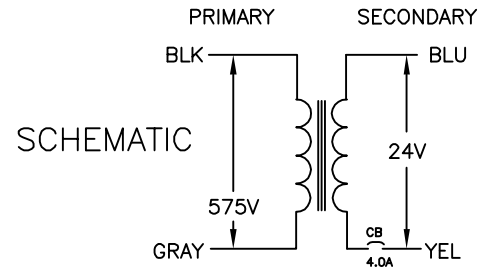
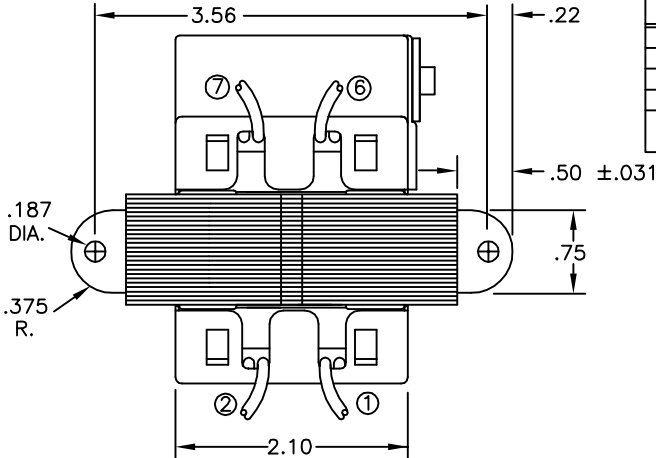
ALL LEADS 18AWG—UNLESS OTHERWISE SPECIFIED

PRIMARY					
LEAD NO.	1	2	3	4	5
VOLTAGE	COM	575			
COLOR	BLK	GRAY			
LENGTH	12.0	12.0			
STRIP LENGTH	.50	.50			

- NOTES
1. DIMENSIONS FOR REFERENCE ONLY.
 2. ALL LEADS +1"/-0" TOL.
 3. STRIP TOL. ±1/32
 4. WINDING PROTECTION—INTERNALLY PROTECTED—4.0 AMP CIRCUIT BREAKER.

CERTIFICATION:
UL & CUL FILE NO. E87824

SECONDARY				
LEAD NO.	6	7	8	9
VOLTAGE	24	VAC		
COLOR	BLU	YEL		
LENGTH	12.0	12.0		
STRIP LENGTH	.50	.50		



CUST. NO. — TYCO PART NUMBER 2-1611469-5

THIS DRAWING IS A CONTROLLED DOCUMENT.

DWN M.DAVIS	OBMAR04		Tyco Electronics Corporation	
CHK K.HOLSCHUH	OBMAR04		Harrisburg, Pa 17105-3608	
APVD K.HOLSCHUH	OBMAR04		NAME TRANSFORMER OUTLINE	
PRODUCT SPEC			-	
APPLICATION SPEC		SIZE A3	CAGE CODE 00779	DRAWING NO C=4000-78J15K999
WEIGHT		RESTRICTED TO		
CUSTOMER DRAWING		SCALE NTS	SHEET 1 OF 1	REV A