



Chipsmall Limited consists of a professional team with an average of over 10 year of expertise in the distribution of electronic components. Based in Hongkong, we have already established firm and mutual-benefit business relationships with customers from,Europe,America and south Asia,supplying obsolete and hard-to-find components to meet their specific needs.

With the principle of “Quality Parts,Customers Priority,Honest Operation,and Considerate Service”,our business mainly focus on the distribution of electronic components. Line cards we deal with include Microchip,ALPS,ROHM,Xilinx,Pulse,ON,Everlight and Freescale. Main products comprise IC,Modules,Potentiometer,IC Socket,Relay,Connector.Our parts cover such applications as commercial,industrial, and automotives areas.

We are looking forward to setting up business relationship with you and hope to provide you with the best service and solution. Let us make a better world for our industry!



Contact us

Tel: +86-755-8981 8866 Fax: +86-755-8427 6832

Email & Skype: info@chipsmall.com Web: www.chipsmall.com

Address: A1208, Overseas Decoration Building, #122 Zhenhua RD., Futian, Shenzhen, China



THIS DRAWING IS UNPUBLISHED. RELEASED FOR PUBLICATION
 © COPYRIGHT - BY TYCO ELECTRONICS CORPORATION. ALL RIGHTS RESERVED.

LOC	DIST	REVISIONS		
GZ	00	P	LTR	DESCRIPTION
		A		NEW FORMAT & EC0720-0136-04
			DATE	DWN
			08MAR04	MD
			APVD	KH

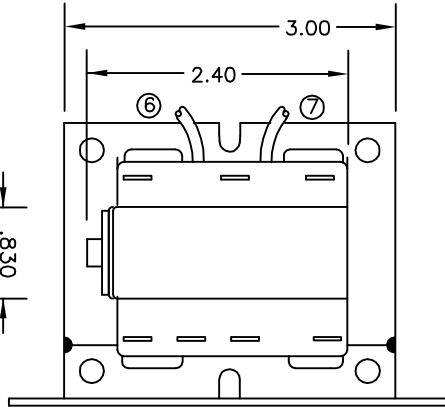
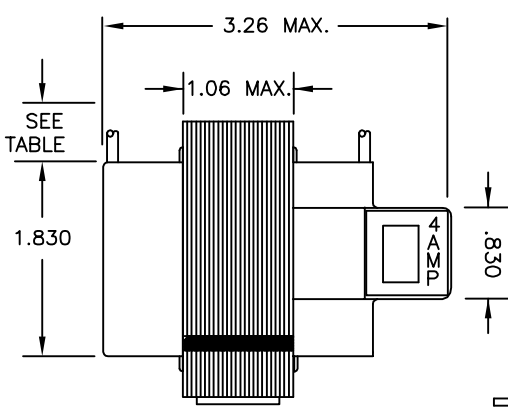
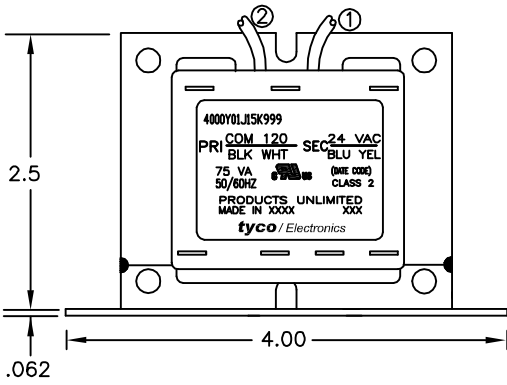
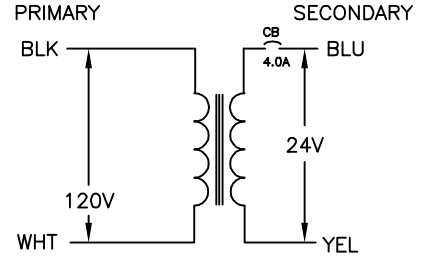
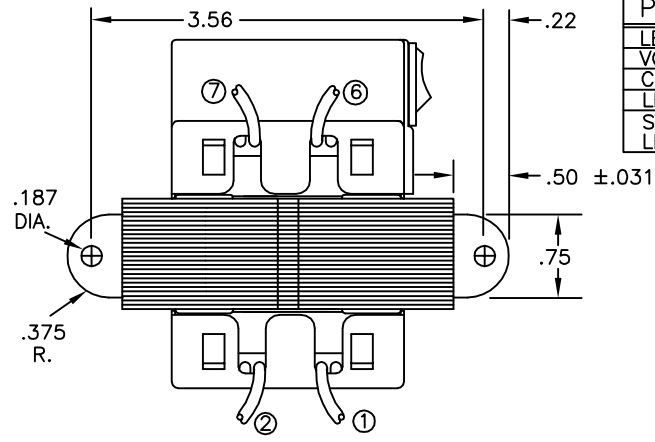
ALL LEADS 18AWG--UNLESS OTHERWISE SPECIFIED

PRIMARY					
LEAD NO.	1	2	3	4	5
VOLTAGE	COM	120			
COLOR	BLK	WHT			
LENGTH	12.0	12.0			
STRIP LENGTH	.50	.50			

- NOTES
1. DIMENSIONS FOR REFERENCE ONLY.
 2. ALL LEADS +1"/-0" TOL.
 3. STRIP TOL. ±1/32
 4. WINDING PROTECTION-- INTERNALLY PROTECTED--4.0 AMP CIRCUIT BREAKER.

CERTIFICATION:
UL & CUL FILE NO. E87824

SECONDARY				
LEAD NO.	6	7	8	9
VOLTAGE	24	VAC		
COLOR	BLU	YEL		
LENGTH	12.0	12.0		
STRIP LENGTH	.50	.50		



CUST. NO.	TYCO PART NUMBER
-	4-1611469-1

THIS DRAWING IS A CONTROLLED DOCUMENT.		DWN	M.DAVIS	08MAR04	Products UNLIMITED	Tyco Electronics Corporation	
		CHK	K.HOLSCHUH	08MAR04		Harrisburg, Pa 17105-3608	
		APVD	K.HOLSCHUH	08MAR04	NAME		
		PRODUCT SPEC			TRANSFORMER OUTLINE		
		APPLICATION SPEC			-		
		WEIGHT			-		
		SIZE	A3	CAGE CODE	00779	DRAWING NO	C=4000Y01J15K999
		CUSTOMER DRAWING		SCALE	NTS	SHEET	1 OF 1
						REV	A

DIMENSIONS:	TOLERANCES UNLESS OTHERWISE SPECIFIED:
INCHES	
0 PLC	± -
1 PLC	± -
2 PLC	± -
3 PLC	± -
4 PLC	± -
ANGLES	± -
MATERIAL	FINISH
-	-