



Chipsmall Limited consists of a professional team with an average of over 10 year of expertise in the distribution of electronic components. Based in Hongkong, we have already established firm and mutual-benefit business relationships with customers from,Europe,America and south Asia,supplying obsolete and hard-to-find components to meet their specific needs.

With the principle of “Quality Parts,Customers Priority,Honest Operation,and Considerate Service”,our business mainly focus on the distribution of electronic components. Line cards we deal with include Microchip,ALPS,ROHM,Xilinx,Pulse,ON,Everlight and Freescale. Main products comprise IC,Modules,Potentiometer,IC Socket,Relay,Connector.Our parts cover such applications as commercial,industrial, and automotives areas.

We are looking forward to setting up business relationship with you and hope to provide you with the best service and solution. Let us make a better world for our industry!



Contact us

Tel: +86-755-8981 8866 Fax: +86-755-8427 6832

Email & Skype: info@chipsmall.com Web: www.chipsmall.com

Address: A1208, Overseas Decoration Building, #122 Zhenhua RD., Futian, Shenzhen, China



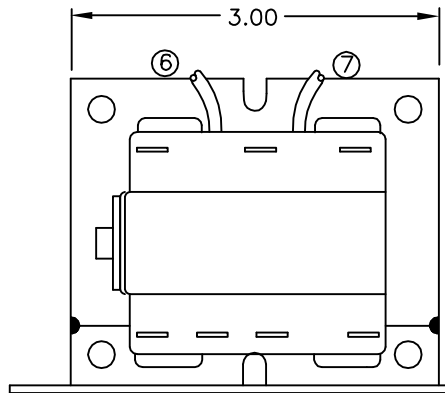
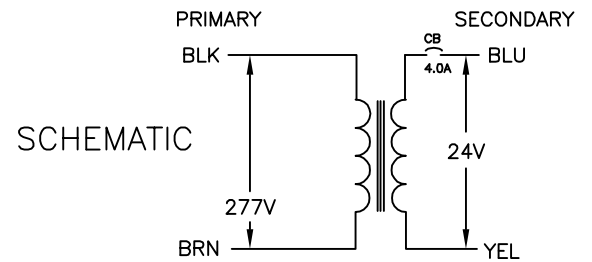
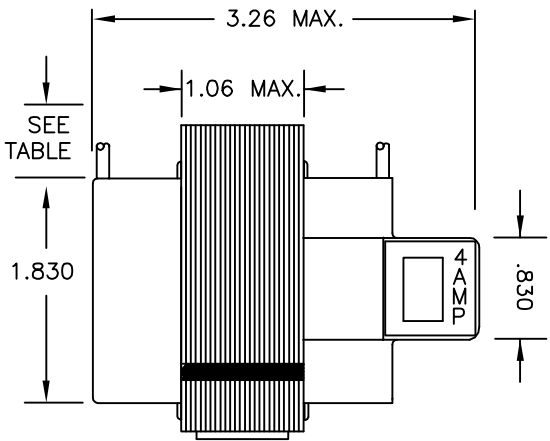
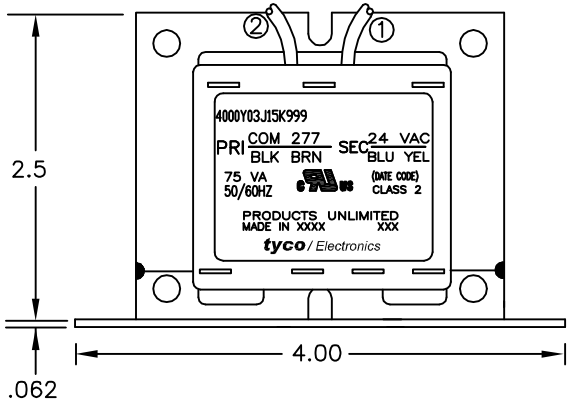
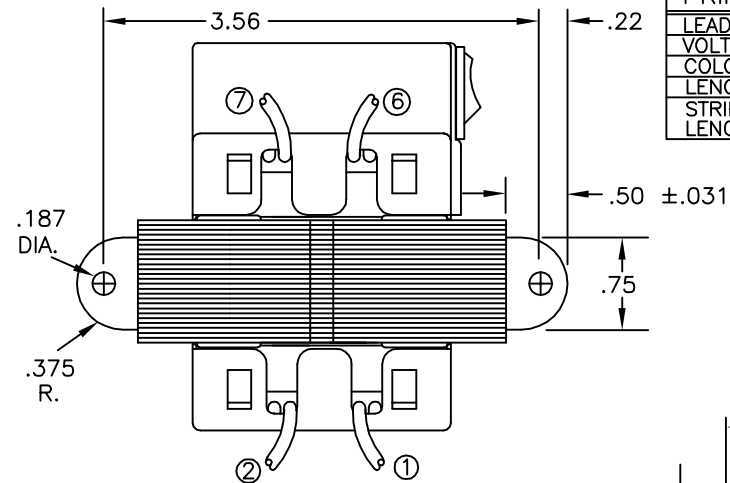
THIS DRAWING IS UNPUBLISHED. RELEASED FOR PUBLICATION
 © COPYRIGHT - BY TYCO ELECTRONICS CORPORATION. ALL RIGHTS RESERVED.

LOC	DIST	REVISIONS					
GZ	00	P	LTR	DESCRIPTION	DATE	DWN	APVD
		A		NEW FROMAT & EC0720-0136-04	OBMAR04	MD	KH

ALL LEADS 18AWG--UNLESS OTHERWISE SPECIFIED					
PRIMARY					
LEAD NO.	1	2	3	4	5
VOLTAGE	COM	277			
COLOR	BLK	BRN			
LENGTH	12.0	12.0			
STRIP LENGTH	.50	.50			

- NOTES
1. DIMENSIONS FOR REFERENCE ONLY.
 2. ALL LEADS +1"/-0" TOL.
 3. STRIP TOL. ±1/32
 4. WINDING PROTECTION-- INTERNALLY PROTECTED--4.0 AMP CIRCUIT BREAKER.

CERTIFICATION: UL & CUL FILE NO. E87824					
SECONDARY					
LEAD NO.	6	7	8	9	
VOLTAGE	24	VAC			
COLOR	BLU	YEL			
LENGTH	12.0	12.0			
STRIP LENGTH	.50	.50			



THIS DRAWING IS A CONTROLLED DOCUMENT.

DIMENSIONS:	TOLERANCES UNLESS OTHERWISE SPECIFIED:
INCHES	
	0 PLC ± -
	1 PLC ± -
	2 PLC ± -
	3 PLC ± -
	4 PLC ± -
	ANGLES ± -
MATERIAL	FINISH
-	-

CHK	M.DAVIS	OBMAR04
APVD	K.HOLSCHUH	OBMAR04
PRODUCT SPEC	K.HOLSCHUH	OBMAR04
APPLICATION SPEC		
WEIGHT		
CUSTOMER DRAWING		
CUST. NO.	TYCO PART NUMBER	
-	4-1611469-6	
Tyco Electronics Corporation Harrisburg, Pa 17105-3608		
NAME		
TRANSFORMER OUTLINE		
SIZE	CAGE CODE	DRAWING NO
A3	00779	C=4000Y03J15K999
RESTRICTED TO	SCALE	SHEET
-	NTS	1 OF 1
	REV	A