

Chipsmall Limited consists of a professional team with an average of over 10 year of expertise in the distribution of electronic components. Based in Hongkong, we have already established firm and mutual-benefit business relationships with customers from,Europe,America and south Asia,supplying obsolete and hard-to-find components to meet their specific needs.

With the principle of “Quality Parts,Customers Priority,Honest Operation,and Considerate Service”,our business mainly focus on the distribution of electronic components. Line cards we deal with include Microchip,ALPS,ROHM,Xilinx,Pulse,ON,Everlight and Freescale. Main products comprise IC,Modules,Potentiometer,IC Socket,Relay,Connector.Our parts cover such applications as commercial,industrial, and automotives areas.

We are looking forward to setting up business relationship with you and hope to provide you with the best service and solution. Let us make a better world for our industry!



## Contact us

Tel: +86-755-8981 8866 Fax: +86-755-8427 6832

Email & Skype: [info@chipsmall.com](mailto:info@chipsmall.com) Web: [www.chipsmall.com](http://www.chipsmall.com)

Address: A1208, Overseas Decoration Building, #122 Zhenhua RD., Futian, Shenzhen, China

LOC	DIST	REVISIONS			
P	LTR	DESCRIPTION	DATE	DWN	APVD
	A	REVISED PER ECR-14-007824	02JUNE2014	RS	EC
	B	ECO-15-015144: ADD UL.	02NOV2015	EC	EC

**SAFETY ORGANIZATIONS**

THIS FILTER HAS BEEN FORMALLY RECOGNIZED, CERTIFIED OR APPROVED BY THE LISTED AGENCY. THEREFORE, ALL TEST/REQUIREMENTS SPECIFIED IN THE LATEST REVISION OF THE FOLLOWING AGENCY STANDARDS HAVE BEEN MET: UL.

**RELIABILITY SPECIFICATIONS**

STORAGE TEMPERATURE: -40°C TO +85°C  
 HUMIDITY: 21 DAYS @ 40°C 95% RH.

**OPERATING SPECIFICATIONS**

LINE CURRENT/VOLTAGE: 400 A, 520 VAC  
 LINE FREQUENCY: 50-60 Hz  
 NOMINAL LEAKAGE CURRENT: 15 mA  
 MAXIMUM LEAKAGE CURRENT: 270mA @ 277V, 50HZ

**TEST SPECIFICATIONS**

INDUCTANCE, NOMINAL: 50.9 µH  
 CAPACITANCE AT 1KHz, 0.25 VAC MAX., 25°C±1°C  
 LINE TO GROUND, NOMINAL: 3.1 µF  
 LINE TO LINE, NOMINAL: 7.0 µF  
 DISCHARGE RESISTOR L/G AND L/L I.R. 1000 kOhm / 1000 kOhm  
 IR (NO DISCHARGE RESISTOR) 20°C, 50% RH AND 100VDC, MIN: 6000 MΩ

OPERATING AMBIENT TEMPERATURE RANGE @ RATED CURRENT, I : -10°C TO +50°C

IN AN AMBIENT, T, HIGHER THAN 50°C, THE MAXIMUM OPERATING CURRENT, I, IS AS FOLLOWS:

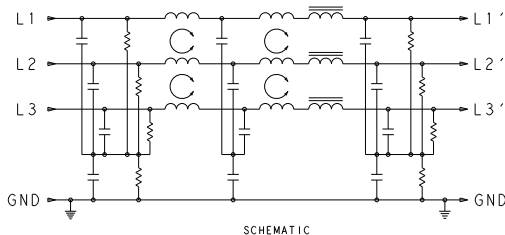
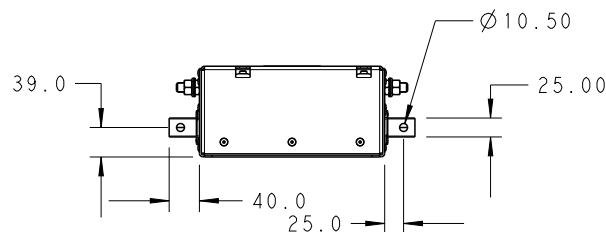
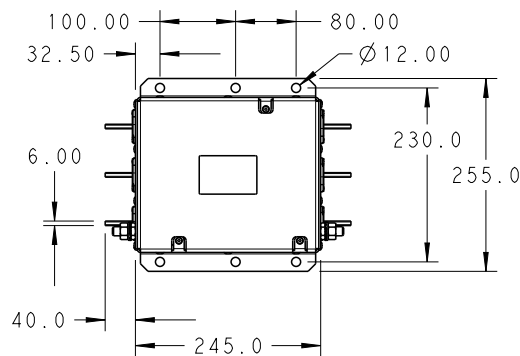
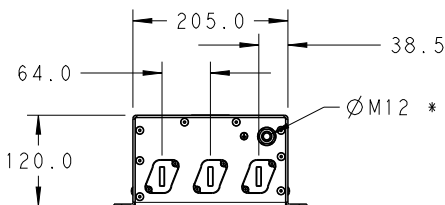
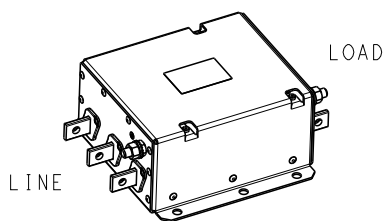
$$I_o = I_R \sqrt{\frac{100 - T_o}{50}}$$

**RECOMMENDED RECEIVING INSPECTION HIPOT**

LINE TO GROUND FOR 1 MINUTE: 2200 VDC  
 LINE TO LINE FOR 1 MINUTE: 2160 VDC

**FILTER APPROVAL:**

THE BEST WAY TO SELECT AND QUALIFY A FILTER IS FOR YOUR ENGINEERING TO TEST THE UNIT IN YOUR EQUIPMENT.



\* DO NOT LOOSEN INNER GROUND NUTS. TORQUE OUTER GROUND NUTS TO: 25-30 NM [220-260 IN-LB]

TYPICAL INSERTION LOSS  
 COMMON MODE 50/50Ω; DIFFERENTIAL MODE 100/100Ω

MHz	0.01	0.05	0.15	0.5	1.0	3.0	5.0	10	30
CM	13	33	62	88	78	68	52	36	20
DM	27	40	53	68	58	45	40	32	21

RELEASED FOR PUBLICATION 20 BY - ALL RIGHTS RESERVED. THIS DRAWING IS UNPUBLISHED. COPYRIGHT 20

DIMENSIONS: mm	DWN	23DEC2013	MATERIAL	FINISH		
	RS					
TOLERANCES UNLESS OTHERWISE SPECIFIED:	CHK	23DEC2013	TE Connectivity			
	EC					
0 PLC ±2 1 PLC ±1.0 2 PLC ±0.50 3 PLC ±0.200 4 PLC ±0.0001 ANGLES ±-	APVD	23DEC2013	NAME 400APS12L 3-PHASE DELTA FILTER			
	EC					
	PRODUCT SPEC	-				
	APPLICATION SPEC	-				
	WEIGHT	-	SIZE	CAGE CODE	DRAWING NO	RESTRICTED TO
			A4	00779	C-4-1609114-5	-
Customer Drawing			SCALE	SHEET	OF	REV
			1:1	1	1	B