



Chipsmall Limited consists of a professional team with an average of over 10 year of expertise in the distribution of electronic components. Based in Hongkong, we have already established firm and mutual-benefit business relationships with customers from,Europe,America and south Asia,supplying obsolete and hard-to-find components to meet their specific needs.

With the principle of "Quality Parts,Customers Priority,Honest Operation,and Considerate Service",our business mainly focus on the distribution of electronic components. Line cards we deal with include Microchip,ALPS,ROHM,Xilinx,Pulse,ON,Everlight and Freescale. Main products comprise IC,Modules,Potentiometer,IC Socket,Relay,Connector.Our parts cover such applications as commercial,industrial, and automotives areas.

We are looking forward to setting up business relationship with you and hope to provide you with the best service and solution. Let us make a better world for our industry!



Contact us

Tel: +86-755-8981 8866 Fax: +86-755-8427 6832

Email & Skype: info@chipsmall.com Web: www.chipsmall.com

Address: A1208, Overseas Decoration Building, #122 Zhenhua RD., Futian, Shenzhen, China



Couplers

0.5-18 GHz

SMA Miniature Stripline Coaxial Couplers

- Smallest, Lightest Units Available from 0.5 to 18 GHz
- Highest Directivity, Lowest VSWR
- Excellent Frequency Flatness
- Operational to 105°C without Degradation (125°C Storage)



Specifications

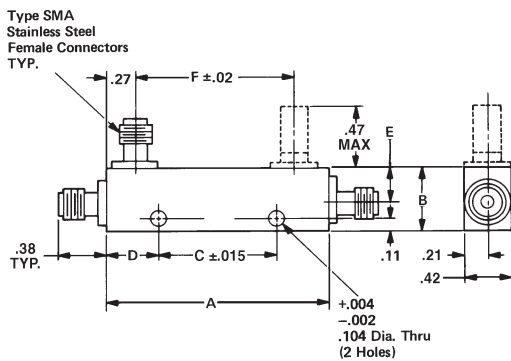
SMA (F), 0.5 to 18 GHz, 50 W

FREQUENCY RANGE (GHz)	MODEL	COUPLING (dB)	DIRECTIVITY (dB min.)	INSERTION LOSS (dB)		VSWR		FREQUENCY SENSITIVITY* (dB max.)	POWER INPUT (W)	REFLECTED POWER		WEIGHT (max.)	
				EXCLUDING COUPLED POWER	TRUE	PRIMARY LINE (max.)	SECONDARY LINE (max.)			AVG. (W)	PEAK (kW)	oz.	gr.
0.5-1	4011C-10	10 ±1.25	25	0.20	0.80	1.15	1.15	±0.75	50	5	3	1.3	37
	4011C-20	20 ±1.25	25	0.20	0.80	1.15	1.15	±0.75	50	50	3	1.2	34
1-2	4012C-6	6 ±1.00	25	0.20	1.80	1.15	1.15	±0.60	50	2	3	0.9	26
	4012C-10	10 ±1.25	25	0.20	0.90	1.10	1.10	±0.75	50	5	3	0.9	26
	4012C-20	20 ±1.25	27	0.20	0.20	1.10	1.10	±0.75	50	50	3	0.9	26
	4012C-30	30 ±1.25	27	0.20	0.20	1.10	1.10	±0.75	50	50	3	0.9	26
2-4	4013C-6	6 ±1.00	22	0.20	1.80	1.15	1.15	±0.60	50	2	3	0.6	18
	4013C-10	10 ±1.25	22	0.25	0.80	1.15	1.15	±0.75	50	5	3	0.6	18
	4013C-20	20 ±1.25	22	0.20	0.25	1.15	1.15	±0.75	50	50	3	0.6	18
0.5-8	4013C-30	30 ±1.25	22	0.20	0.20	1.15	1.15	±0.75	50	50	3	0.6	18
	4216-10	10 ±1.50	15	—	1.40	1.40	1.40	—	50	5	3	2.1	60
	4216-20	20 ±1.50	14	—	0.80	1.30	1.30	—	50	50	3	2.1	60
4-8	4014C-6	6 ±1.00	18	0.25	2.00	1.25	1.25	±0.60	50	2	3	0.6	18
	4014C-10	10 ±1.25	20	0.25	1.00	1.25	1.25	±0.75	50	5	3	0.6	18
	4014C-20	20 ±1.25	20	0.25	0.30	1.25	1.25	±0.75	50	50	3	0.6	18
	4014C-30	30 ±1.25	20	0.25	0.25	1.25	1.25	±0.75	50	50	3	0.6	18
7-12.4	4015C-6	6 ±1.00	15	0.40	2.00	1.30	1.30	±0.50	50	2	3	0.8	23
	4015C-10	10 ±1.25	17	0.40	1.00	1.30	1.30	±0.50	50	5	3	0.8	23
	4015C-20	20 ±1.00	17	0.30	0.35	1.25	1.25	±0.50	50	50	3	0.8	23
	4015C-30	30 ±1.00	17	0.30	0.30	1.25	1.25	±0.50	50	50	3	0.8	23
7.5-16	4055-6**	6 ±1.10	12	0.60	2.00	1.35	1.40	±0.60	50	2	2	0.8	23
	4055-10**	10 ±1.50	12	0.60	1.00	1.35	1.40	±0.75	50	5	2	0.8	23
	4055-20**	20 ±1.25	15	0.50	0.50	1.35	1.40	±0.75	50	50	2	0.8	23
	4055-30**	30 ±1.25	15	0.50	0.50	1.35	1.40	±0.75	50	50	2	0.8	23
12.4-18	4016D-6	6 ±1.00	15	0.30	2.00	1.35	1.40	±0.50	50	2	1	0.7	20
	4016D-10	10 ±1.00	15	0.55	1.10	1.35	1.40	±0.50	50	5	1	0.7	20
	4016C-20	20 ±1.00	15	0.50	0.55	1.30	1.40	±0.50	50	50	1	0.8	23
	4016C-30**	30 ±1.00	15	0.50	0.55	1.30	1.40	±0.50	50	50	1	0.8	23

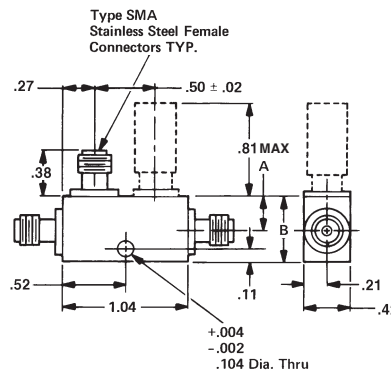
* Frequency Sensitivity included in coupling

** Special order devices. Minimum quantity may apply.

Outline Drawings



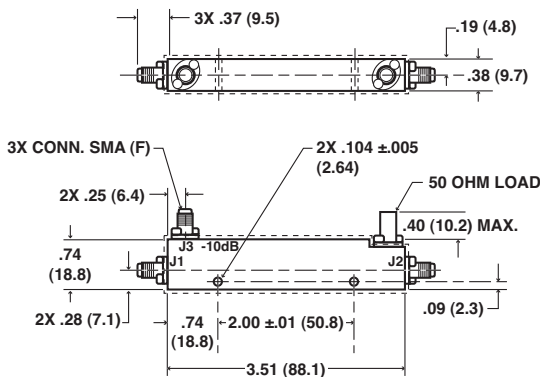
Allow .020 max. sealant build-up per surface.



Allow .020 max. sealant build-up per surface.

MODEL	A	B	C	D	E	F
4011C-10	3.06	.58	1.500	.78	.34	2.52
4011C-20	3.04	.55	1.750	.65	.30	2.50
4012C-6	1.82	.55	.938	.44	.30	1.28
4012C-10, -20	1.82	.55	.938	.44	.30	1.28
4012C-30	1.82	.58	.938	.44	.34	1.28
4013C-6	1.20	.55	.344	.43	.30	.66
4013C-10, -20	1.20	.55	.344	.43	.30	.66
4013C-30	1.20	.59	.344	.43	.35	.66

MODEL	Max. Dimensions	
	A	B
4014C-6, -10, -20	.30	.54
4014C-30	.34	.58
4015C-6, -10, -20	.30	.55
4015C-30	.43	.67
4016D-6, -10	.30	.55
4016C-20, -30	.43	.67
4055-6, -10	.30	.55
4055-20, -30	.43	.67



NOTES:

1. Dotted area represents .020 max. build-up of sealant per surface.
2. Connectors mate without interference per MIL-STD-348.

TOL:
XX ±.02 (.51)

MODELS 4216-10, 4216-20

Dimensions in inches (mm in parentheses), unless otherwise specified.

