



Chipsmall Limited consists of a professional team with an average of over 10 year of expertise in the distribution of electronic components. Based in Hongkong, we have already established firm and mutual-benefit business relationships with customers from,Europe,America and south Asia,supplying obsolete and hard-to-find components to meet their specific needs.

With the principle of “Quality Parts,Customers Priority,Honest Operation,and Considerate Service”,our business mainly focus on the distribution of electronic components. Line cards we deal with include Microchip,ALPS,ROHM,Xilinx,Pulse,ON,Everlight and Freescale. Main products comprise IC,Modules,Potentiometer,IC Socket,Relay,Connector.Our parts cover such applications as commercial,industrial, and automotives areas.

We are looking forward to setting up business relationship with you and hope to provide you with the best service and solution. Let us make a better world for our industry!



Contact us

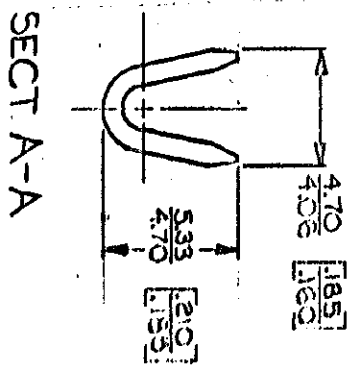
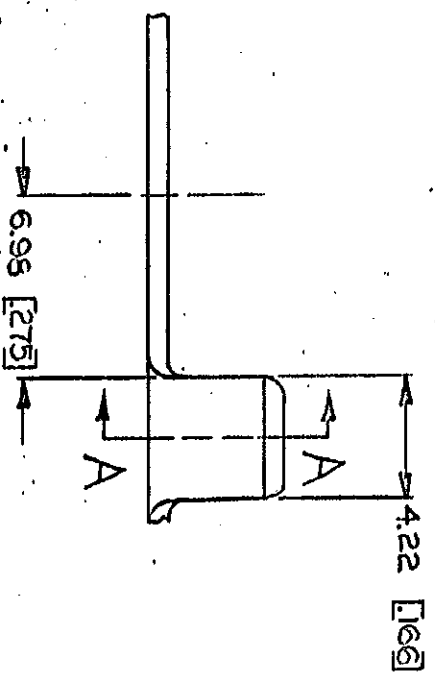
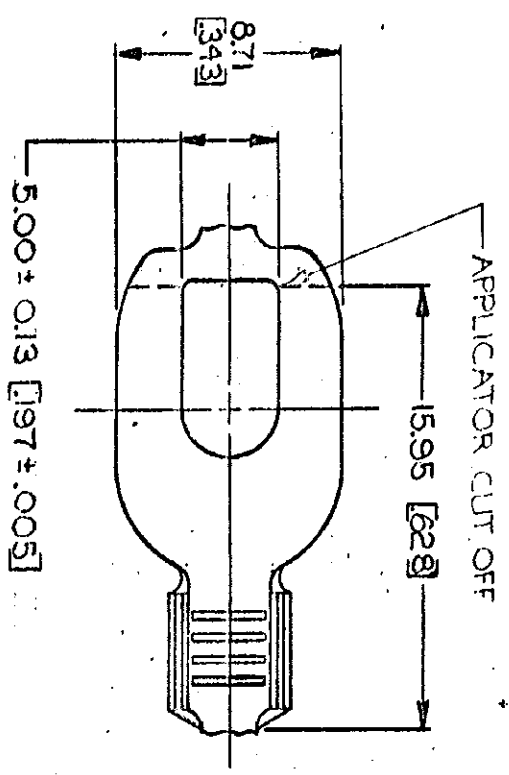
Tel: +86-755-8981 8866 Fax: +86-755-8427 6832

Email & Skype: info@chipsmall.com Web: www.chipsmall.com

Address: A1208, Overseas Decoration Building, #122 Zhenhua RD., Futian, Shenzhen, China



© COPYRIGHT 1965 BY AMP INCORPORATED, HARRISBURG, PA.
 ALL INTERNATIONAL RIGHTS RESERVED. AMP INCORPORATED PRODUCTS
 COVERED BY U. S. AND FOREIGN PATENTS AND/OR PATENTS PENDING.



1. CONTINUOUS STRIP ON REELS
 2. DIMENSIONS IN BRACKETS ARE IN INCHES.

METRIC

REVISIONS						
P	F	ZONE	LTR	DESCRIPTION	DATE	APPROVED
1			J	REDRAWN & REVISED A-3-4-65	4/1/65	
2			K	REWORKED - 1	AF-1556	6/10/65

STUD SIZE	#10	WIRE RANGE	08-2.0 mm ² [8-14]	FINISH	NONE TIN	MATERIAL	0.76 [030] BRASS	PART NO	40521-1 40521
	UNLESS OTHERWISE SPECIFIED DIMENSIONS ARE IN INCHES TOLERANCES ON DIMENSIONS ARE AS FOLLOWS: ANGLES ±1°		CONTRACT NO		DR. <i>W. J. ...</i> 5/3/78		DR. <i>W. J. ...</i> 7/19/78		APPRO. <i>R. D. ...</i> 8-1-78
MATERIAL	SEE TABLE	SPADE							
FINISH	SEE TABLE	SIZE	B	CODE IDENT NO	00779	DRAWING NO	40521	SHEET	

CUSTOMER DRAWING

DUPLICATE ORIGINAL LOST
 2-20-81