



Chipsmall Limited consists of a professional team with an average of over 10 year of expertise in the distribution of electronic components. Based in Hongkong, we have already established firm and mutual-benefit business relationships with customers from,Europe,America and south Asia,supplying obsolete and hard-to-find components to meet their specific needs.

With the principle of “Quality Parts,Customers Priority,Honest Operation,and Considerate Service”,our business mainly focus on the distribution of electronic components. Line cards we deal with include Microchip,ALPS,ROHM,Xilinx,Pulse,ON,Everlight and Freescale. Main products comprise IC,Modules,Potentiometer,IC Socket,Relay,Connector.Our parts cover such applications as commercial,industrial, and automotives areas.

We are looking forward to setting up business relationship with you and hope to provide you with the best service and solution. Let us make a better world for our industry!



Contact us

Tel: +86-755-8981 8866 Fax: +86-755-8427 6832

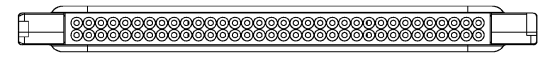
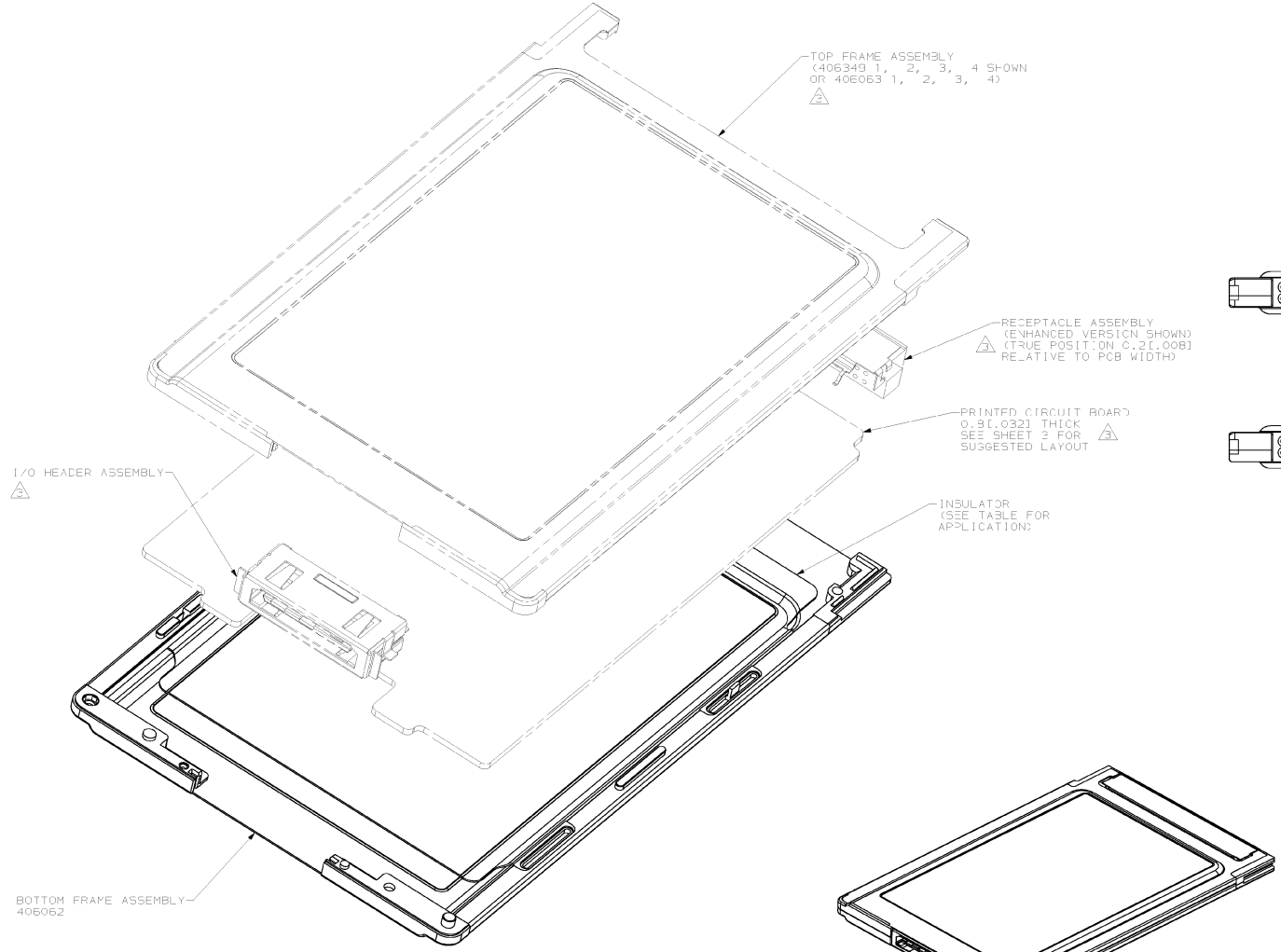
Email & Skype: info@chipsmall.com Web: www.chipsmall.com

Address: A1208, Overseas Decoration Building, #122 Zhenhua RD., Futian, Shenzhen, China

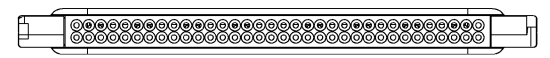


REV	DATE	DESCRIPTION	BY	CHKD	APP'D
AA	23				
C		OBSOLETE: -1, -2 & -5; CC 0511-0075-02 25NOV02	DD	KK	

- △ MATERIAL: STAINLESS STEEL AND BLACK NYLON MOLDING COMPOUND.
- 2. FRAME ASSEMBLY CONFORMS TO PCMCIA DIMENSIONAL STANDARDS.
- △ ITEMS INDICATED ARE SHOWN FOR REFERENCE ONLY TO SHOW RELATIONSHIP OF FRAME ASSEMBLY 406062 IN COMPLETELY ASSEMBLED PCMCIA CARD.
- △ RECESSED AREA SHALL ACCOMMODATE A LABEL SIZE OF 38.6(1.52) X 63.8(2.51) X 0.08(1.003) MAXIMUM THICKNESS.
- △ DIMENSION APPLIES TO AREA UNDER LABEL RECESS.



5 VOLT KEYING

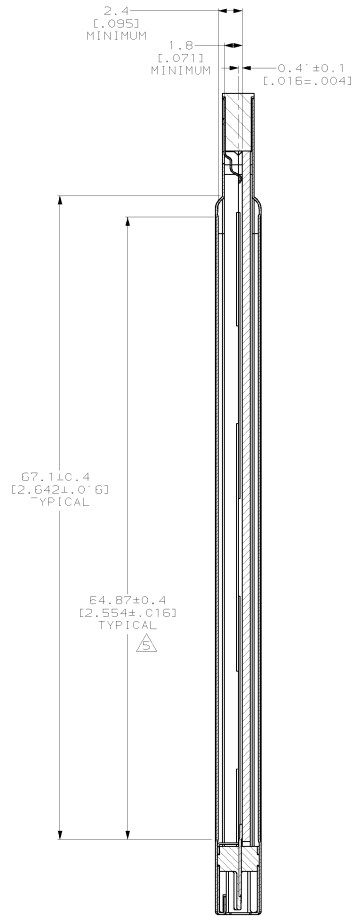
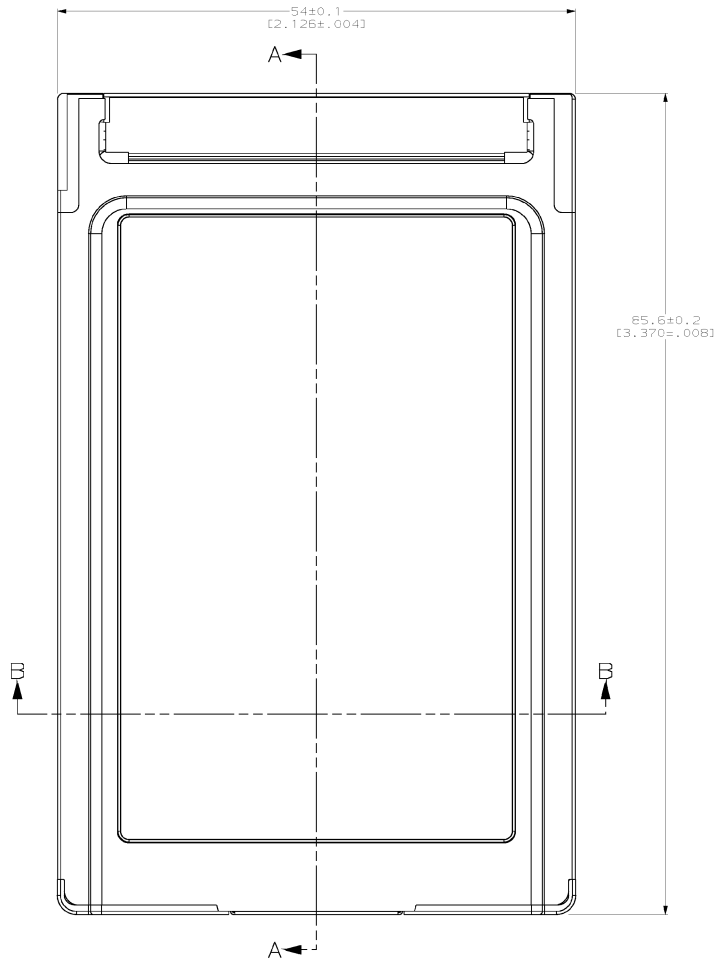


LOW VOLTAGE KEYING

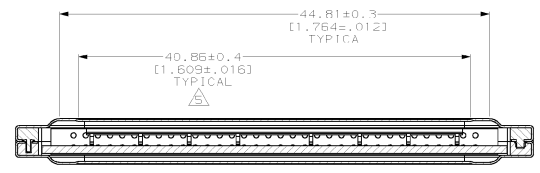
PART STATUS	KEY	DESCRIPTION	PART NUMBER
OBSOLETE	LV	WITHOUT LABEL RECESS INSULATED	406052-8
AVAILABLE	LV	△ WITH LABEL RECESS INSULATED	406052-7
OBSOLETE	LV	WITHOUT LABEL RECESS	406052-6
NOT AVAILABLE	LV	△ WITH LABEL RECESS	406052-5
OBSOLETE	EV	WITHOUT LABEL RECESS INSULATED	406052-4
AVAILABLE	EV	△ WITH LABEL RECESS INSULATED	406052-3
OBSOLETE	EV	WITHOUT LABEL RECESS	406052-2
NOT AVAILABLE	EV	△ WITH LABEL RECESS	406052-1

FULLY ASSEMBLED CARD
SCALE 2:1

THIS DRAWING IS A CONTROLLED DOCUMENT.		DATE: 11/27/01 AM	13/0000	AMP	AMP Incorporated Morrisville, PA 17105-3608
OPERATIONS REV: LINK/PLS/J	DATE: 01/16/01	BY: SEB/MLB	02/04/01	REV: 01/16/01	02/04/01
PRODUCT SPEC	APPLICATION SPEC	WEIGHT	SCALE	CUSTOMER DRAWING	
DRAWING NO: A1 00779		CASE CODE: C-406062	DRAWING NO:	SCALE: 4:1	SHEET: 1 OF 3

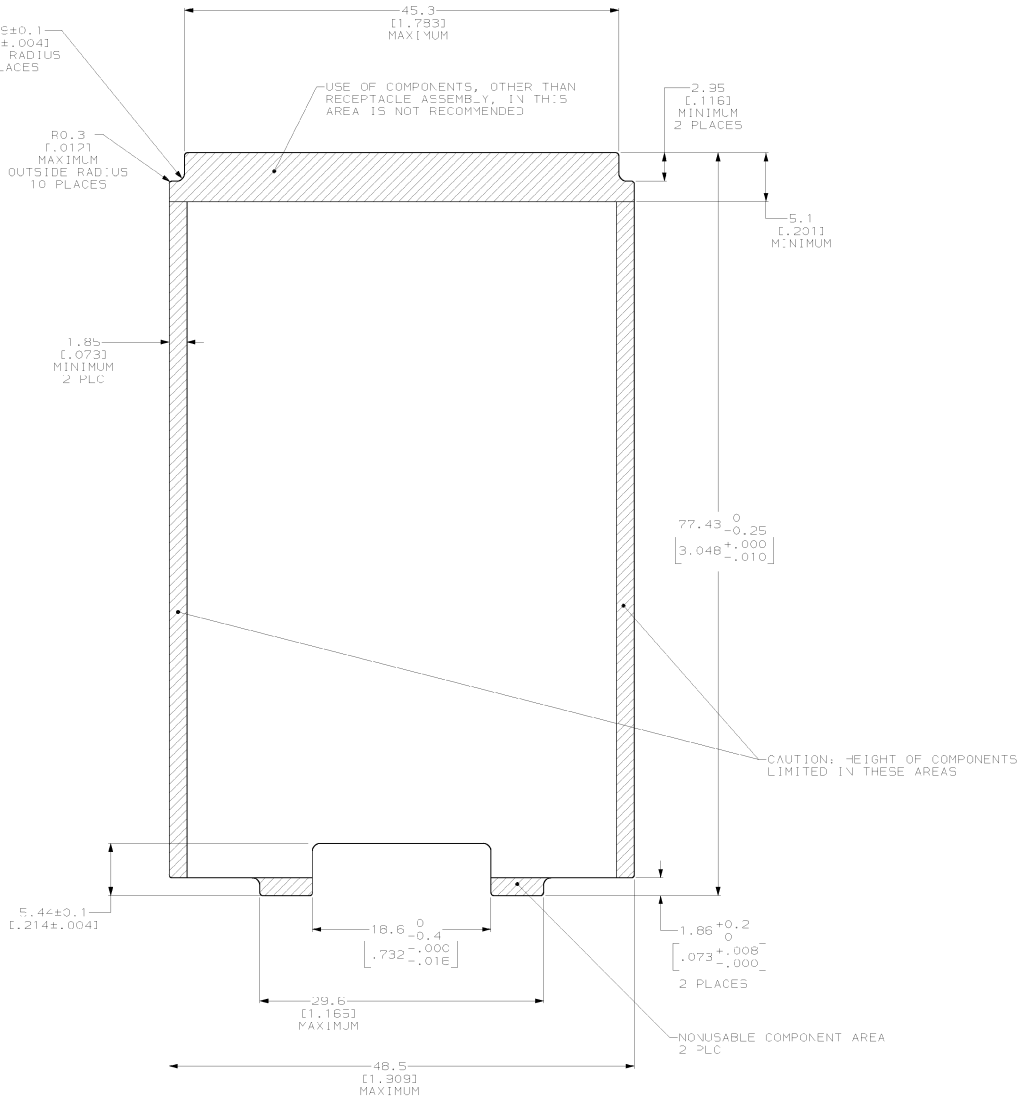
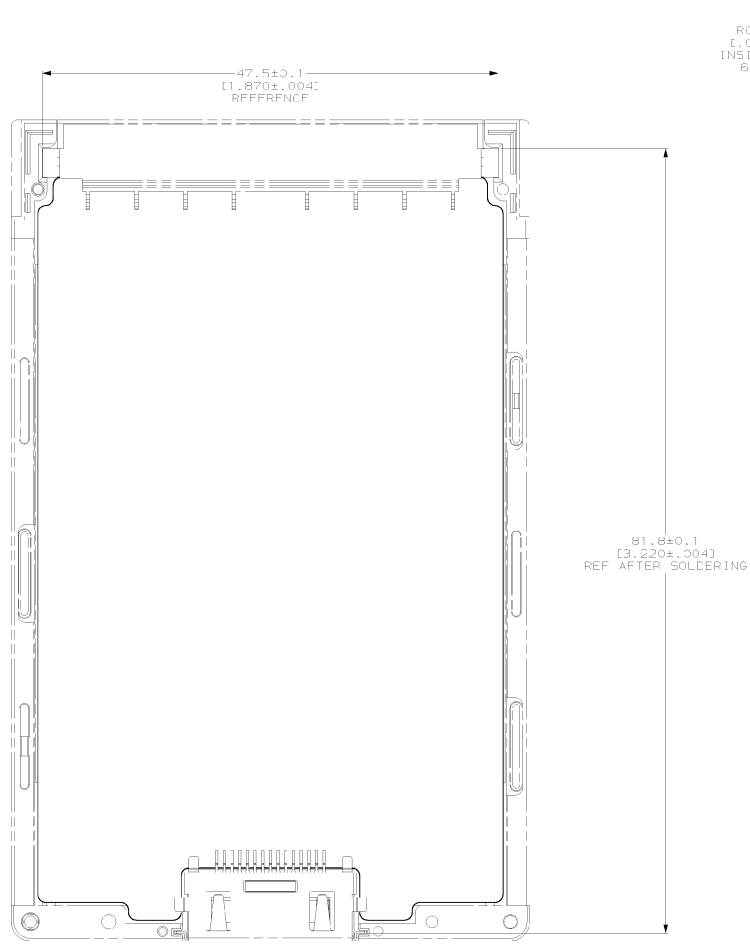


SECTION A-A



SECTION B-B

THIS DRAWING IS A CONTROLLED DOCUMENT.		DATE: 11/17/01 AM	133000	AMP Incorporated Horsham, PA 19105-3608
OPERATIONS:	BY: LINK/PLS	DATE: 02/28/02	022802	
REV: LINK/PLS	DATE: 02/28/02	022802	022802	FRAME ASSEMBLY, TYPE II, SONIC WELD, BOTTOM
0 P.L.C. + 1 P.L.C. + 2 P.L.C. + 3 P.L.C. + 4 P.L.C. + 5 P.L.C. + 6 P.L.C. + 7 P.L.C. + 8 P.L.C. + 9 P.L.C. + 10 P.L.C. + 11 P.L.C. + 12 P.L.C. + 13 P.L.C. + 14 P.L.C. + 15 P.L.C. + 16 P.L.C. + 17 P.L.C. + 18 P.L.C. + 19 P.L.C. + 20 P.L.C. + 21 P.L.C. + 22 P.L.C. + 23 P.L.C. + 24 P.L.C. + 25 P.L.C. + 26 P.L.C. + 27 P.L.C. + 28 P.L.C. + 29 P.L.C. + 30 P.L.C. + 31 P.L.C. + 32 P.L.C. + 33 P.L.C. + 34 P.L.C. + 35 P.L.C. + 36 P.L.C. + 37 P.L.C. + 38 P.L.C. + 39 P.L.C. + 40 P.L.C. + 41 P.L.C. + 42 P.L.C. + 43 P.L.C. + 44 P.L.C. + 45 P.L.C. + 46 P.L.C. + 47 P.L.C. + 48 P.L.C. + 49 P.L.C. + 50 P.L.C. + 51 P.L.C. + 52 P.L.C. + 53 P.L.C. + 54 P.L.C. + 55 P.L.C. + 56 P.L.C. + 57 P.L.C. + 58 P.L.C. + 59 P.L.C. + 60 P.L.C. + 61 P.L.C. + 62 P.L.C. + 63 P.L.C. + 64 P.L.C. + 65 P.L.C. + 66 P.L.C. + 67 P.L.C. + 68 P.L.C. + 69 P.L.C. + 70 P.L.C. + 71 P.L.C. + 72 P.L.C. + 73 P.L.C. + 74 P.L.C. + 75 P.L.C. + 76 P.L.C. + 77 P.L.C. + 78 P.L.C. + 79 P.L.C. + 80 P.L.C. + 81 P.L.C. + 82 P.L.C. + 83 P.L.C. + 84 P.L.C. + 85 P.L.C. + 86 P.L.C. + 87 P.L.C. + 88 P.L.C. + 89 P.L.C. + 90 P.L.C. + 91 P.L.C. + 92 P.L.C. + 93 P.L.C. + 94 P.L.C. + 95 P.L.C. + 96 P.L.C. + 97 P.L.C. + 98 P.L.C. + 99 P.L.C. + 100 P.L.C. +	APPLICATION SPEC WEIGHT CUSTOMER DRAWING	SIZE: CASE CODE: DRAWING NO: A1 00779 C-406062	SCALE: 4:1 SHEET 2 OF 3 REV C	



PC BOARD LAYOUT - SUGGESTED

THIS DRAWING IS A CONTROLLED DOCUMENT.		REV: 1330001	AMP Incorporated Hornl sbu'g, PA 17105-3608
OPERATIONS	DATE: 11/17/01 AM	1330001	AMP
REV: LINK/PLS/J	DATE: 02/28/02	02/28/02	
OPERATIONS	DATE: 02/28/02	02/28/02	FRAME ASSEMBLY, TYPE II, SONIC WELD, BOTTOM
REV: LINK/PLS/J	DATE: 02/28/02	02/28/02	
OPERATIONS	DATE: 02/28/02	02/28/02	STATE: CASE CODE: DRAWING NO: A1 00779 C-406062
REV: LINK/PLS/J	DATE: 02/28/02	02/28/02	
OPERATIONS	DATE: 02/28/02	02/28/02	SCALE: 4:1 SHEET 3 OF 3 REV: C
REV: LINK/PLS/J	DATE: 02/28/02	02/28/02	
MATERIAL:	FINISH:	CUSTOMER DRAWING	