



Chipsmall Limited consists of a professional team with an average of over 10 year of expertise in the distribution of electronic components. Based in Hongkong, we have already established firm and mutual-benefit business relationships with customers from,Europe,America and south Asia,supplying obsolete and hard-to-find components to meet their specific needs.

With the principle of “Quality Parts,Customers Priority,Honest Operation,and Considerate Service”,our business mainly focus on the distribution of electronic components. Line cards we deal with include Microchip,ALPS,ROHM,Xilinx,Pulse,ON,Everlight and Freescale. Main products comprise IC,Modules,Potentiometer,IC Socket,Relay,Connector.Our parts cover such applications as commercial,industrial, and automotives areas.

We are looking forward to setting up business relationship with you and hope to provide you with the best service and solution. Let us make a better world for our industry!



Contact us

Tel: +86-755-8981 8866 Fax: +86-755-8427 6832

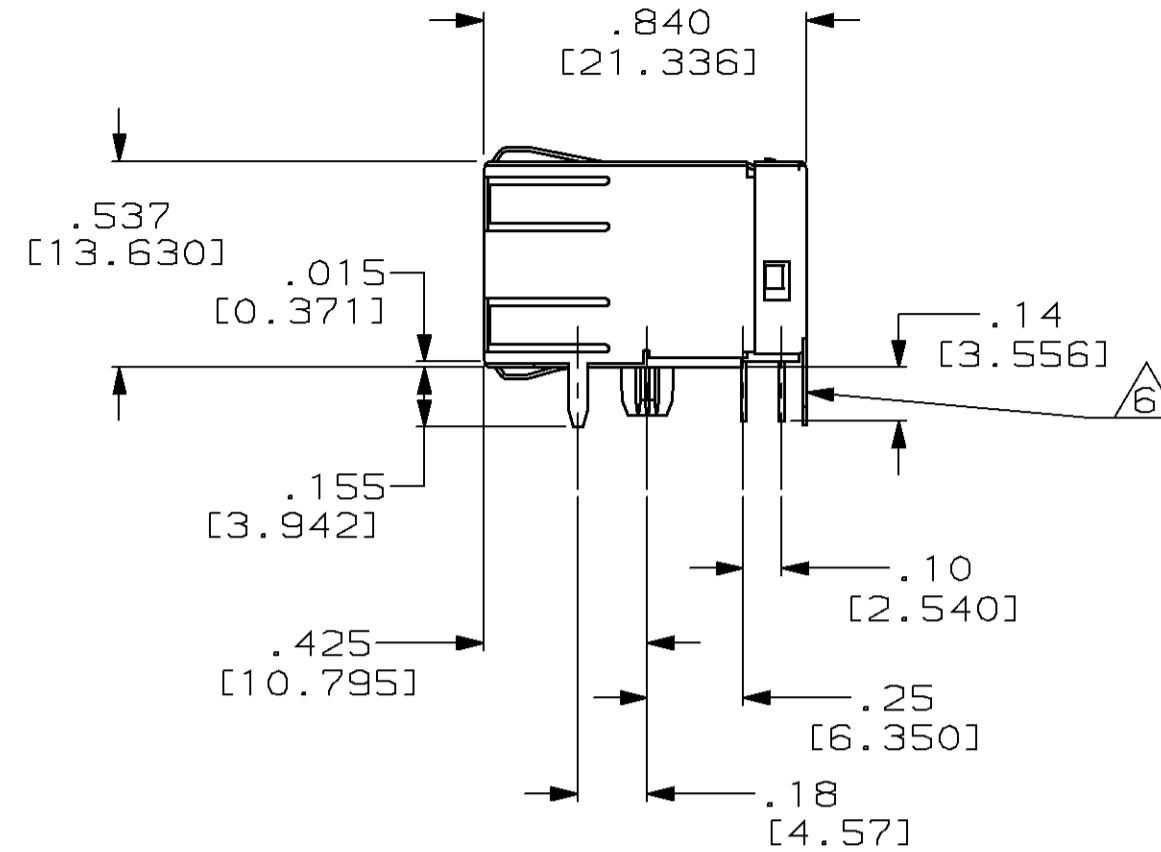
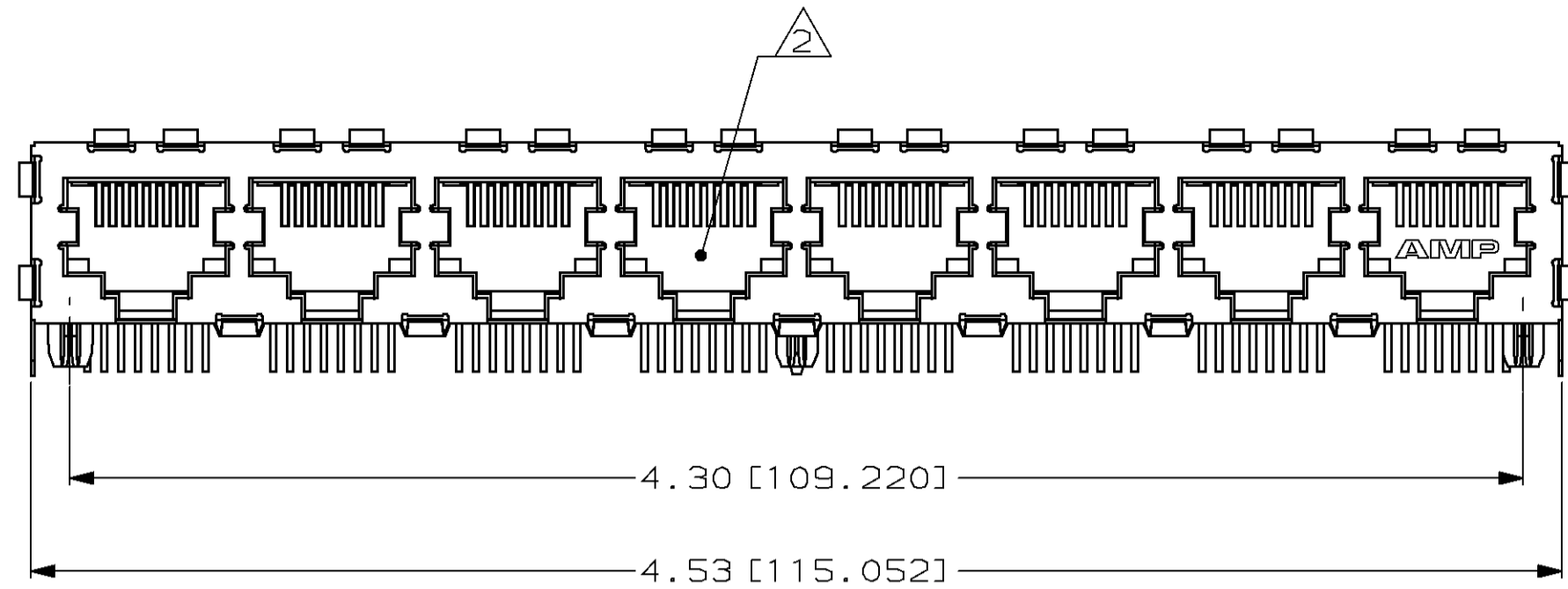
Email & Skype: info@chipsmall.com Web: www.chipsmall.com

Address: A1208, Overseas Decoration Building, #122 Zhenhua RD., Futian, Shenzhen, China

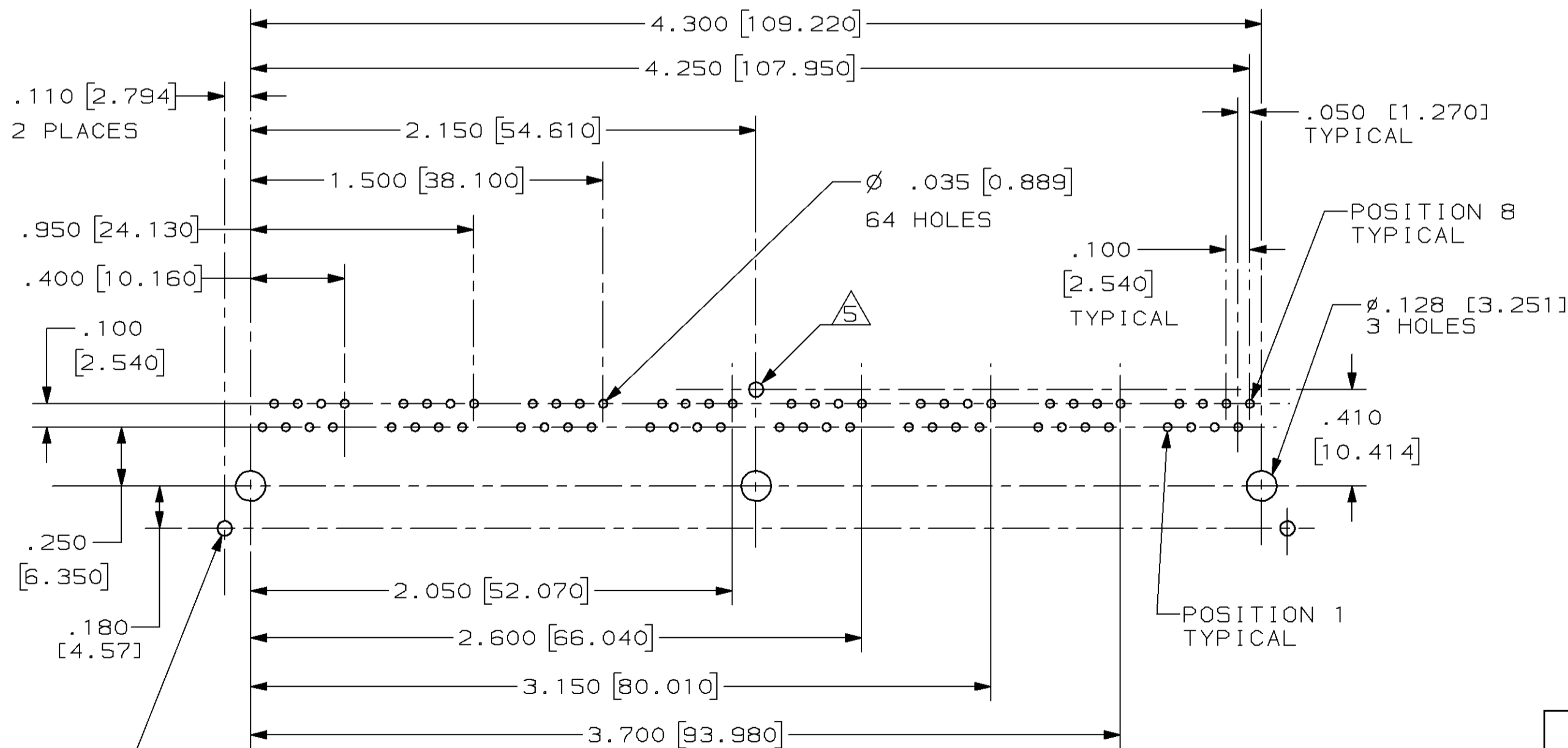


THIS DRAWING IS UNPUBLISHED. RELEASED FOR PUBLICATION
 © COPYRIGHT 19 BY AMP INCORPORATED. ALL RIGHTS RESERVED.

LOC	DIST	REVISIONS				
		P	LTR	DATE	DWN	APVD
AA	22	A	REV; EC 0502-0734-97	24NOV97	DS	DW



- 1 MATERIAL:
HOUSING - NYLON, BLACK, UL94V-0.
OVERMOLDED TERMINAL ARRAY - PBT, BROWN.
TERMINALS-.013 [0.33] THICK PHOS BRONZE
PLATED WITH .000050 [1.27μm] THICK HARD
GOLD IN LOCALIZED AREA AND .000150 [3.81μm]
THICK TIN-LEAD IN SOLDER AREA OVER .000050
[1.27μm] THICK NICKEL UNDERPLATE.
SHIELD-.010 [0.254] THICK COPPER ALLOY
PLATED WITH .000080 [2.03μm] MINIMUM
TIN-LEAD OVER .000100 [2.54μm] MINIMUM
COPPER.
- 2 JACK CAVITY COMFORMS TO FCC RULES AND
REGULATIONS, PART 68 SUBPART F.
- 3. ALL DIMENSIONS SHOWN ARE NOMINAL UNLESS
OTHERWISE SPECIFIED.
- 4. ALL DIMENSIONS SHOWN IN BRACKETS [] ARE
IN MILLIMETERS.
- 5 THIS HOLE IS NEEDED FOR -1 ONLY.
- 6 THIS TAB REMOVED ON -2.



SUGGESTED PC BOARD LAYOUT
 COMPONENT SIDE
 SEE APPLICATION SPECIFICATION

WITHOUT REAR PC BOARD GROUND TAB	406491-2
WITH REAR PC BOARD GROUND TAB	406491-1
DESCRIPTION	PART NO.

THIS DRAWING IS A CONTROLLED DOCUMENT FOR AMP INCORPORATED. IT IS SUBJECT TO CHANGE AND THE CONTROLLING ENGINEERING ORGANIZATION SHOULD BE CONTACTED FOR THE LATEST REVISION.		DWN V. SLACK 13MAR92	AMP Incorporated Harrisburg, PA 17105-3608
DIMENSIONS: INCHES [mm]		CHK B. FOX 10JUN92	
TOLERANCES UNLESS OTHERWISE SPECIFIED:		APVD G. REED 15JUN92	NAME MODULAR JACK ASSEMBLY, PANEL GROUND, 8 PORT, 8 POSITION, RIGHT ANGLE, SHIELDED, CATEGORY 5
0 PLC ±-		PRODUCT SPEC 108-1392	
1 PLC ±-		APPLICATION SPEC 114-2048	SIZE A2
2 PLC ±.01 [0.254]		WEIGHT -	CAGE CODE 00779
3 PLC ±.005 [0.127]		CUSTOMER DRAWING	DRAWING NO C-406491
4 PLC ±-		SCALE 2:1	SHEET 1 OF 1
ANGLES ±-			REV A
FINISH			