



Chipsmall Limited consists of a professional team with an average of over 10 year of expertise in the distribution of electronic components. Based in Hongkong, we have already established firm and mutual-benefit business relationships with customers from,Europe,America and south Asia,supplying obsolete and hard-to-find components to meet their specific needs.

With the principle of “Quality Parts,Customers Priority,Honest Operation,and Considerate Service”,our business mainly focus on the distribution of electronic components. Line cards we deal with include Microchip,ALPS,ROHM,Xilinx,Pulse,ON,Everlight and Freescale. Main products comprise IC,Modules,Potentiometer,IC Socket,Relay,Connector.Our parts cover such applications as commercial,industrial, and automotives areas.

We are looking forward to setting up business relationship with you and hope to provide you with the best service and solution. Let us make a better world for our industry!



Contact us

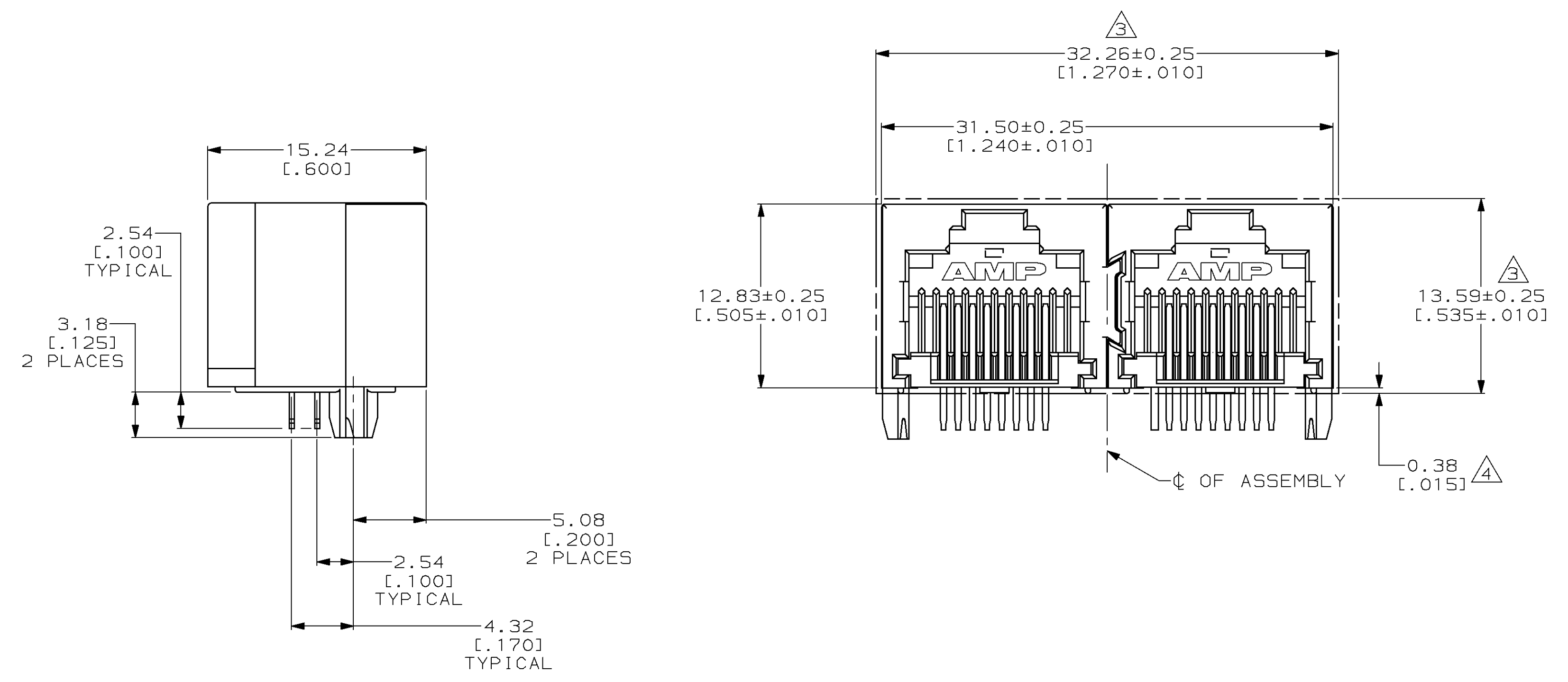
Tel: +86-755-8981 8866 Fax: +86-755-8427 6832

Email & Skype: info@chipsmall.com Web: www.chipsmall.com

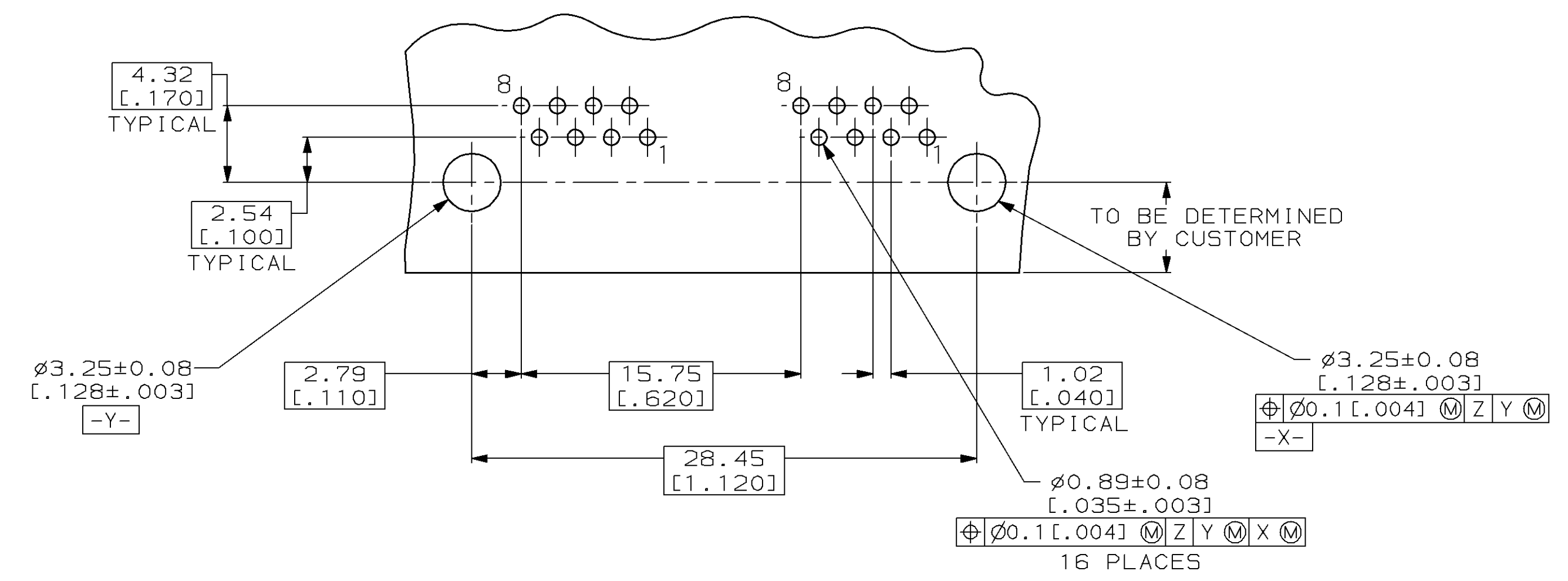
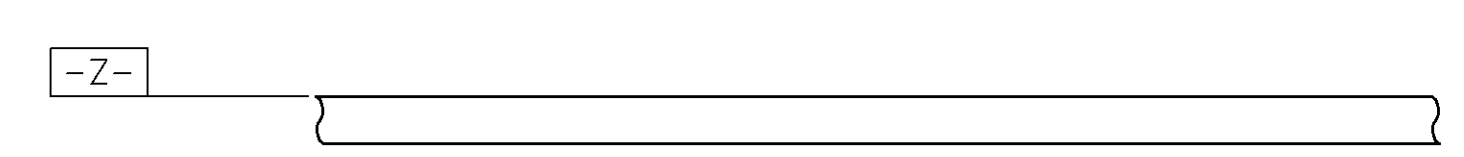
Address: A1208, Overseas Decoration Building, #122 Zhenhua RD., Futian, Shenzhen, China



LOC	DIST	REVISIONS				
		REV	DESCRIPTION	DATE	OWN	APPROV
AA	22	A	REV; EC 0502-0351-98	22JUN98	DD	EL



- 1 MATERIAL:
 HOUSING - HIGH TEMPERATURE THERMOPLASTIC, BLACK, UL94V-0; IR REFLOW SOLDERING PROCESS COMPATIBLE.
 TERMINALS - .36 [.014] THICK PHOS BRONZE PLATED WITH 3.81µm [.000150] MINIMUM THICK BRIGHT TIN LEAD IN SOLDER AREA. 1.27µm [.000050] MINIMUM GOLD IN LOCALIZED PLATE AREA. ENTIRE TERMINAL PLATED WITH 1.27µm [.000050] MINIMUM THICK NICKEL.
- 2. JACK CAVITY CONFORMS TO FCC RULES AND REGULATIONS PART 68, SUBPART F.
- 3 SUGGESTED PANEL OPENING DIMENSIONS.
- 4 SUGGESTED CLEARANCE BETWEEN BOTTOM OF CONNECTOR AND BOTTOM PANEL OPENING.



SUGGESTED PRINTED CIRCUIT BOARD LAYOUT
 (COMPONENT SIDE)

406526-1
 PART NUMBER

THIS DRAWING IS A CONTROLLED DOCUMENT.		DWN T. WOOTEN 22SEP97	AMP Incorporated Harrisburg, PA 17105-3508	
DIMENSIONS: mm [INCHES]		CHK T. SPRINKLE 29SEP97	NAME M. DERSTINE 060CT97	
TOLERANCES UNLESS OTHERWISE SPECIFIED:		PRODUCT SPEC 108-1163-4		
0 PLC ±.015		APPLICATION SPEC 114-2154		
1 PLC ±.010		SIZE A1		
2 PLC ±.0075		CAGE CODE 00779		
3 PLC ±.005		DRAWING NO 406526		
4 PLC ±.0025		WEIGHT -		
ANGLES		SCALE 4:1		
FINISH		SHEET 1 OF 1		
MATERIAL		REV A		
FINISH		CUSTOMER DRAWING		