



Chipsmall Limited consists of a professional team with an average of over 10 year of expertise in the distribution of electronic components. Based in Hongkong, we have already established firm and mutual-benefit business relationships with customers from,Europe,America and south Asia,supplying obsolete and hard-to-find components to meet their specific needs.

With the principle of "Quality Parts,Customers Priority,Honest Operation,and Considerate Service",our business mainly focus on the distribution of electronic components. Line cards we deal with include Microchip,ALPS,ROHM,Xilinx,Pulse,ON,Everlight and Freescale. Main products comprise IC,Modules,Potentiometer,IC Socket,Relay,Connector.Our parts cover such applications as commercial,industrial, and automotives areas.

We are looking forward to setting up business relationship with you and hope to provide you with the best service and solution. Let us make a better world for our industry!



Contact us

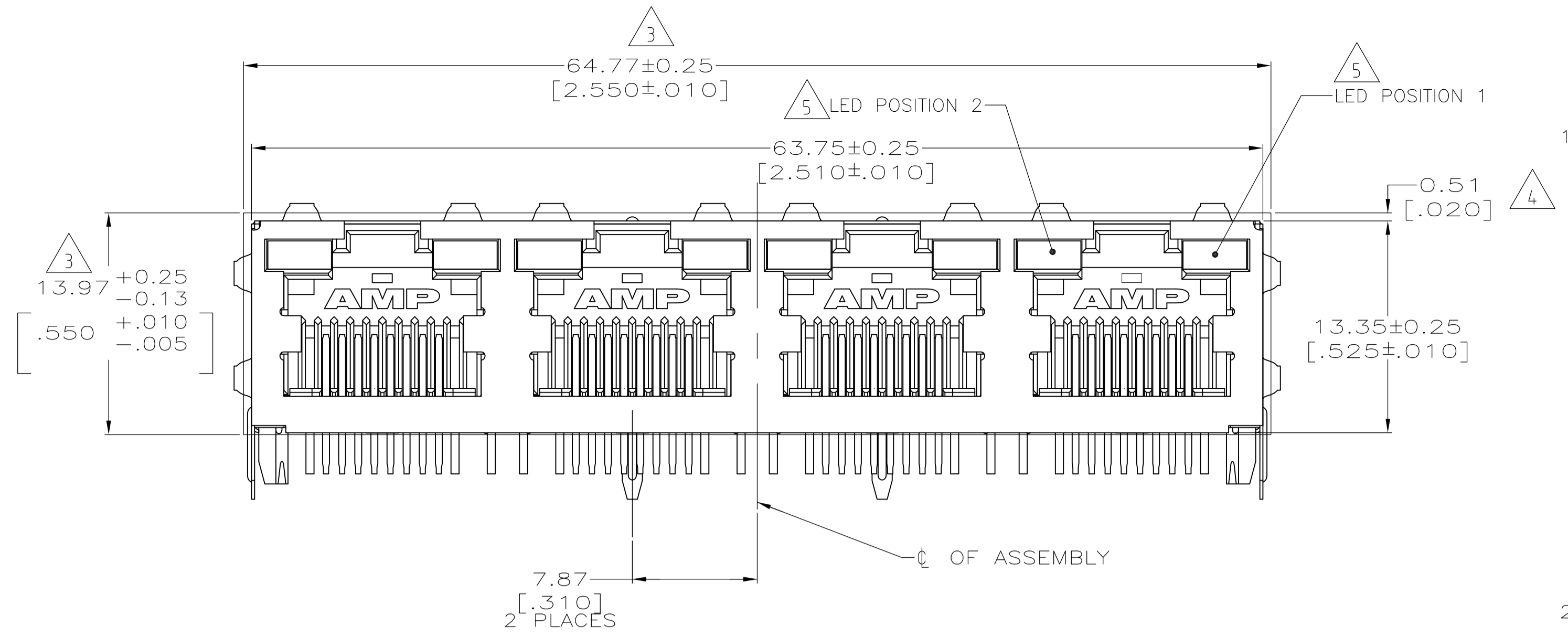
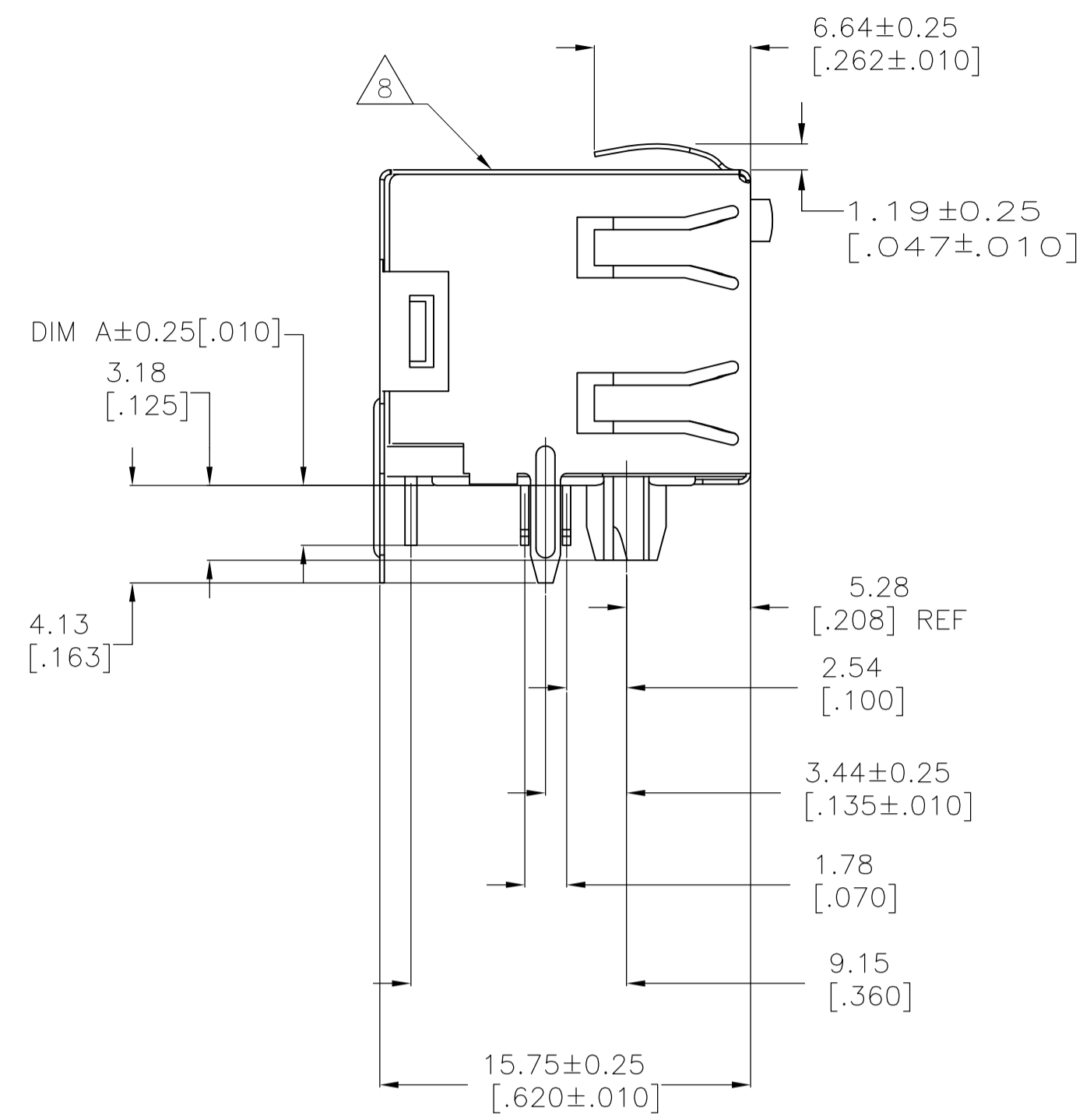
Tel: +86-755-8981 8866 Fax: +86-755-8427 6832

Email & Skype: info@chipsmall.com Web: www.chipsmall.com

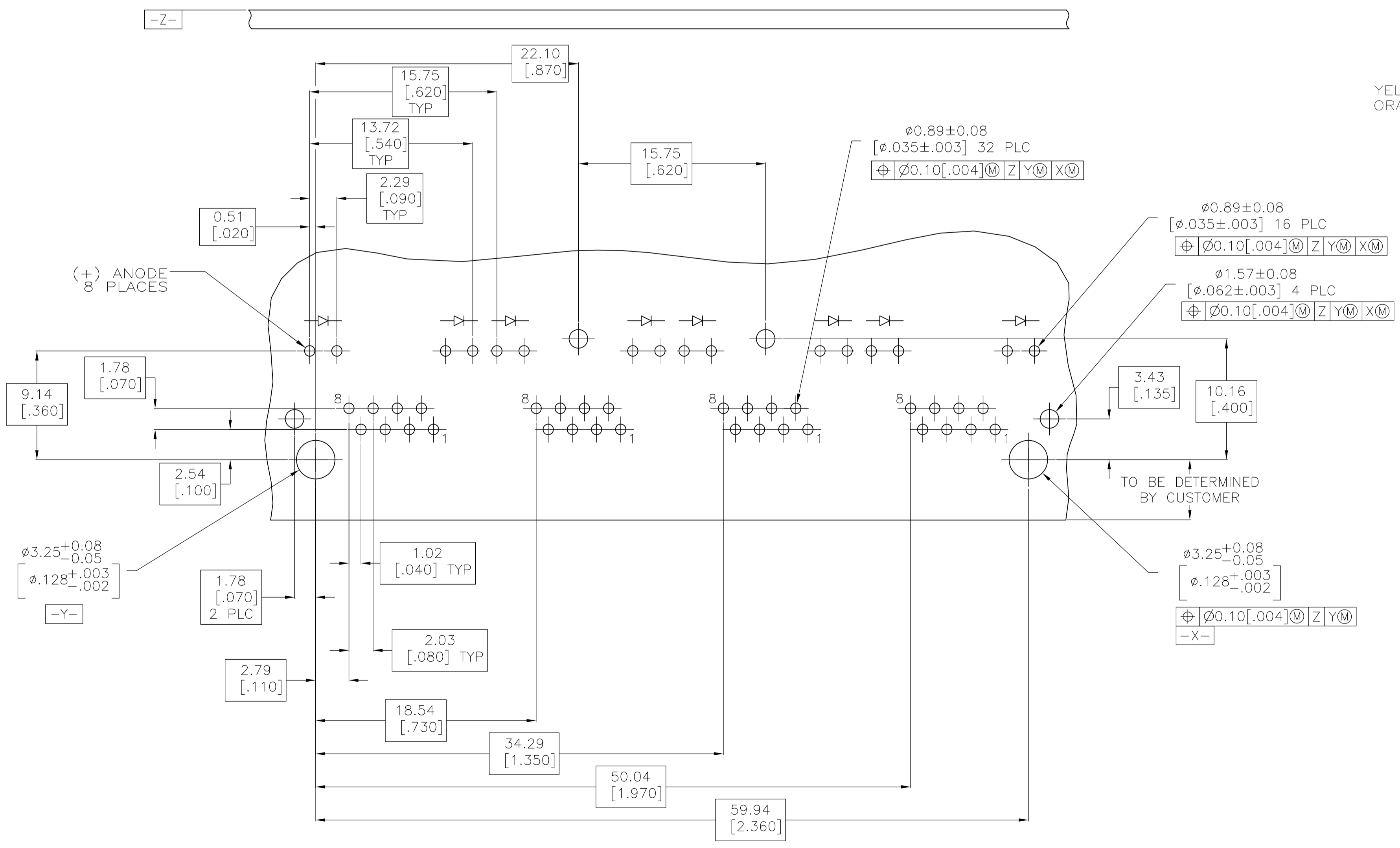
Address: A1208, Overseas Decoration Building, #122 Zhenhua RD., Futian, Shenzhen, China



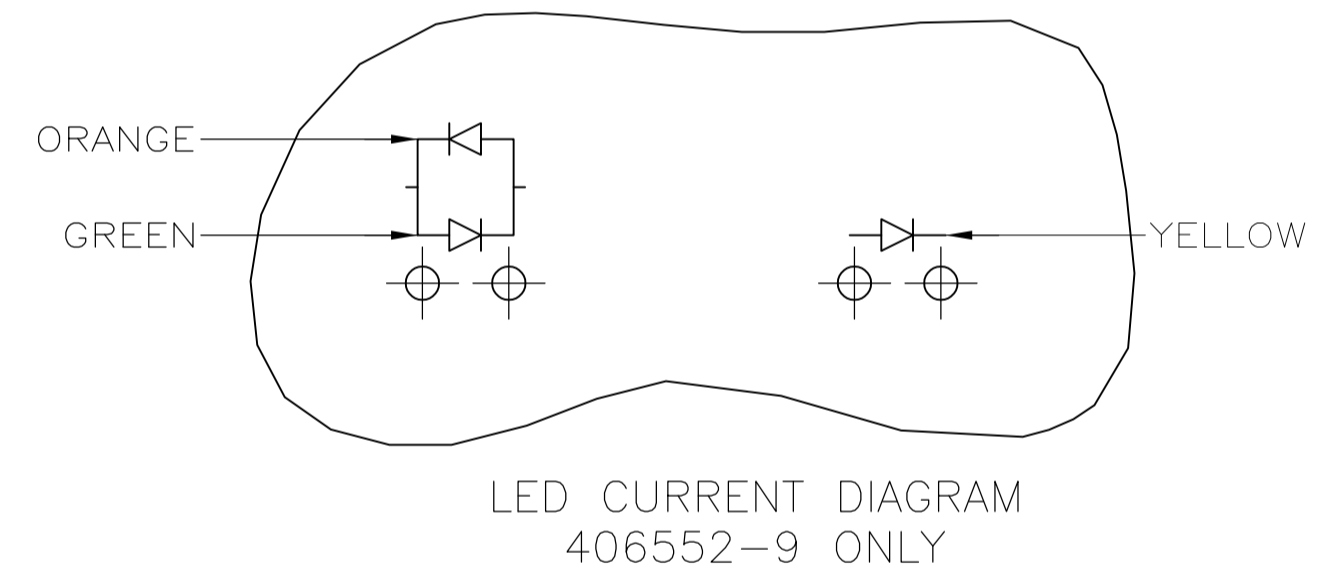
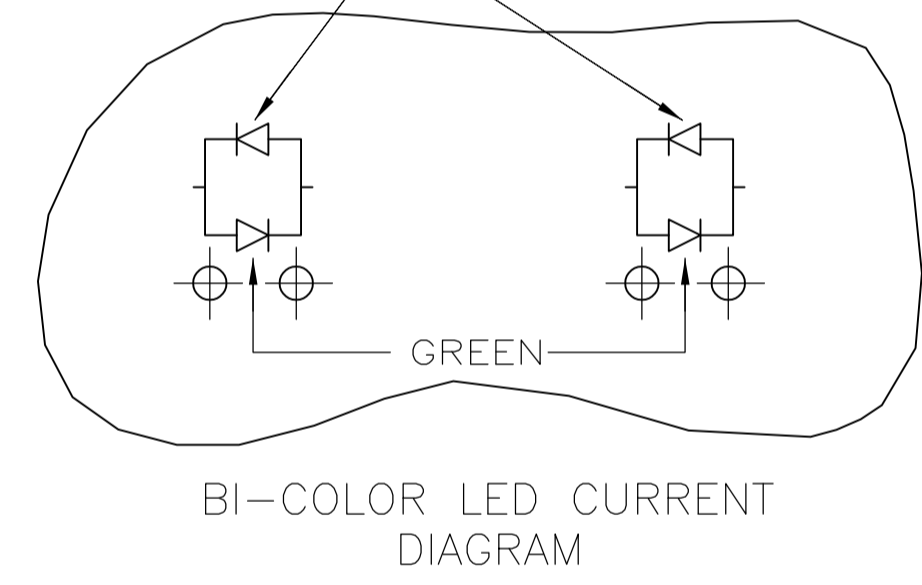
LOC		DIST		REVISIONS			
AA	00	REV	DATE	BY	CHK	APP'D	REV
K		ECO-07-022131	03NOV07	LAM	JW		
K1		REVISED PER ECO-09-021826	12SEP09	KK	AEG		
K2		REVISED ECR-10-006801	01APR10	AZ	SY		



- MATERIAL:
 HOUSING - HIGH TEMPERATURE THERMOPLASTIC, BLACK, UL94V-0.
 TERMINALS - 0.36[.014] THICK PHOS BRONZE PLATED WITH 3.81µm[.000150] MINIMUM THICK BRIGHT TIN LEAD IN SOLDER AREA. 1.27µm[.000050] MINIMUM GOLD IN LOCALIZED PLATE AREA. ENTIRE TERMINAL PLATED WITH 1.27µm[.000050] MINIMUM THICK NICKEL.
 SHIELD - 0.196[.0077] THICK COPPER ZINC ALLOY PREPLATED WITH 1.27µm[.000050] MINIMUM SATIN NICKEL WITH 2.03µm[.000080] MINIMUM TIN POST DIPPED ON PCB GROUND TABS.
 LIGHT EMITTING DIODE (LED) - DIFFUSED EPOXY LENS, 0.51 x 0.51[.020 x .020] CARBON STEEL WIREFRAME LEADS PLATED WITH 8.89µm[.000350] TIN/COPPER OVER 2.03µm[.000080] SILVER OVER 1.02µm[.000040] NICKEL UNDERPLATE OVER 2.03µm[.000080] COPPER UNDERPLATE.
- JACK CAVITY CONFORMS TO FCC RULES AND REGULATIONS PART 68, SUBPART F.
- SUGGESTED PANEL OPENING DIMENSIONS.
- SUGGESTED CLEARANCE BETWEEN TOP OF CONNECTOR AND TOP PANEL OPENING.
- SEE TABLE FOR COLOR OF LEDS AND NUMBER REQUIRED.
- THIS MODULAR JACK WITH INTEGRATED LED IS NOT IR REFLOW SOLDERING PROCESS COMPATIBLE.
- OBsolete PARTS: OBsolete CIS STREAMLINING PER D.RENAUD/D.SINISI
- MANUFACTURING DATE CODE:
 LOCATED APPROX. AS SHOWN.
 FIRST 2 DIGITS= LAST 2 DIGITS OF YEAR.
 NEXT 2 DIGITS= MANUFACTURING WORK WEEK.
 LAST DIGIT= DAY OF WEEK WITH SUNDAY=1.



YELLOW FOR 406552-8
 ORANGE FOR 406552-7



REV	DESCRIPTION	DATE	BY	CHK	APP'D	REV
1	ECO-07-022131	03NOV07	LAM	JW		
2	REVISED PER ECO-09-021826	12SEP09	KK	AEG		
3	REVISED ECR-10-006801	01APR10	AZ	SY		

REV	DESCRIPTION	DATE	BY	CHK	APP'D	REV
1	ECO-07-022131	03NOV07	LAM	JW		
2	REVISED PER ECO-09-021826	12SEP09	KK	AEG		
3	REVISED ECR-10-006801	01APR10	AZ	SY		

REV	DESCRIPTION	DATE	BY	CHK	APP'D	REV
1	ECO-07-022131	03NOV07	LAM	JW		
2	REVISED PER ECO-09-021826	12SEP09	KK	AEG		
3	REVISED ECR-10-006801	01APR10	AZ	SY		

REV	DESCRIPTION	DATE	BY	CHK	APP'D	REV
1	ECO-07-022131	03NOV07	LAM	JW		
2	REVISED PER ECO-09-021826	12SEP09	KK	AEG		
3	REVISED ECR-10-006801	01APR10	AZ	SY		

REV	DESCRIPTION	DATE	BY	CHK	APP'D	REV
1	ECO-07-022131	03NOV07	LAM	JW		
2	REVISED PER ECO-09-021826	12SEP09	KK	AEG		
3	REVISED ECR-10-006801	01APR10	AZ	SY		

RECOMMENDED PRINTED CIRCUIT BOARD LAYOUT (COMPONENT SIDE)

THIS DRAWING IS A CONTROLLED DOCUMENT.

DIMENSIONS: mm [INCHES]

TOLERANCES UNLESS OTHERWISE SPECIFIED:

0 PLC	±	-
1 PLC	±	0.25[.01]
2 PLC	±	0.13[.005]
3 PLC	±	0.13[.005]
4 PLC	±	0.13[.005]
ANGLES	±	±

MATERIAL: SEE NOTE 1

FINISH: SEE NOTE 1

THIS DRAWING IS A CONTROLLED DOCUMENT.

DIN T. SPRINKLE 23SEP97

CHK T. SPRINKLE 23SEP97

APP'D M. DERSTINE 23SEP97

NAME: Tyco Electronics Corporation, Harrisburg, PA 17105-3608

PRODUCT SPEC: 108-1163-4

APPLICATION SPEC: 114-2154

SIZE: A1

SCALE: 4:1

SHEET: 1 of 1

REV: K2