



Chipsmall Limited consists of a professional team with an average of over 10 year of expertise in the distribution of electronic components. Based in Hongkong, we have already established firm and mutual-benefit business relationships with customers from,Europe,America and south Asia,supplying obsolete and hard-to-find components to meet their specific needs.

With the principle of “Quality Parts,Customers Priority,Honest Operation,and Considerate Service”,our business mainly focus on the distribution of electronic components. Line cards we deal with include Microchip,ALPS,ROHM,Xilinx,Pulse,ON,Everlight and Freescale. Main products comprise IC,Modules,Potentiometer,IC Socket,Relay,Connector.Our parts cover such applications as commercial,industrial, and automotives areas.

We are looking forward to setting up business relationship with you and hope to provide you with the best service and solution. Let us make a better world for our industry!



## Contact us

Tel: +86-755-8981 8866 Fax: +86-755-8427 6832

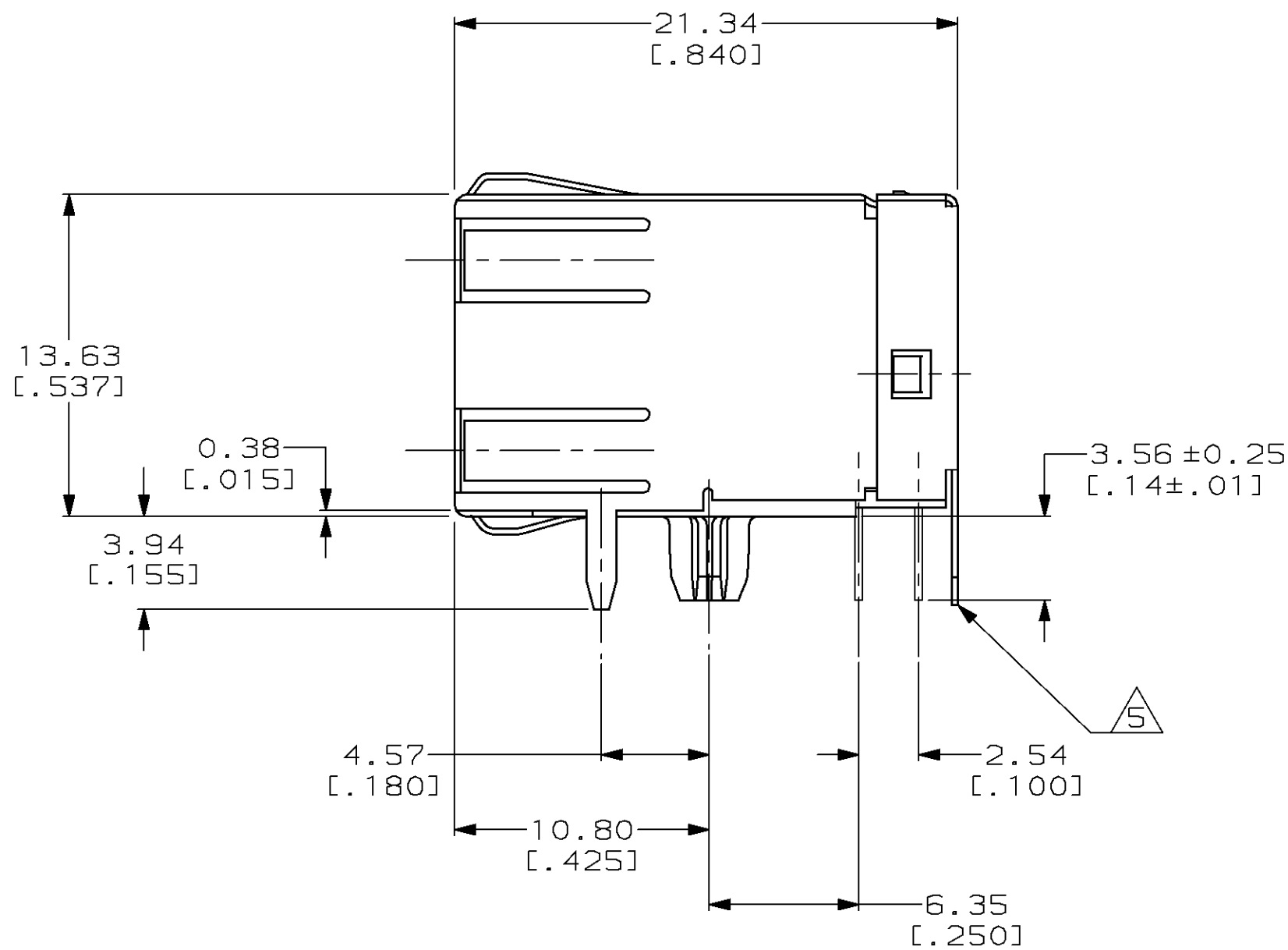
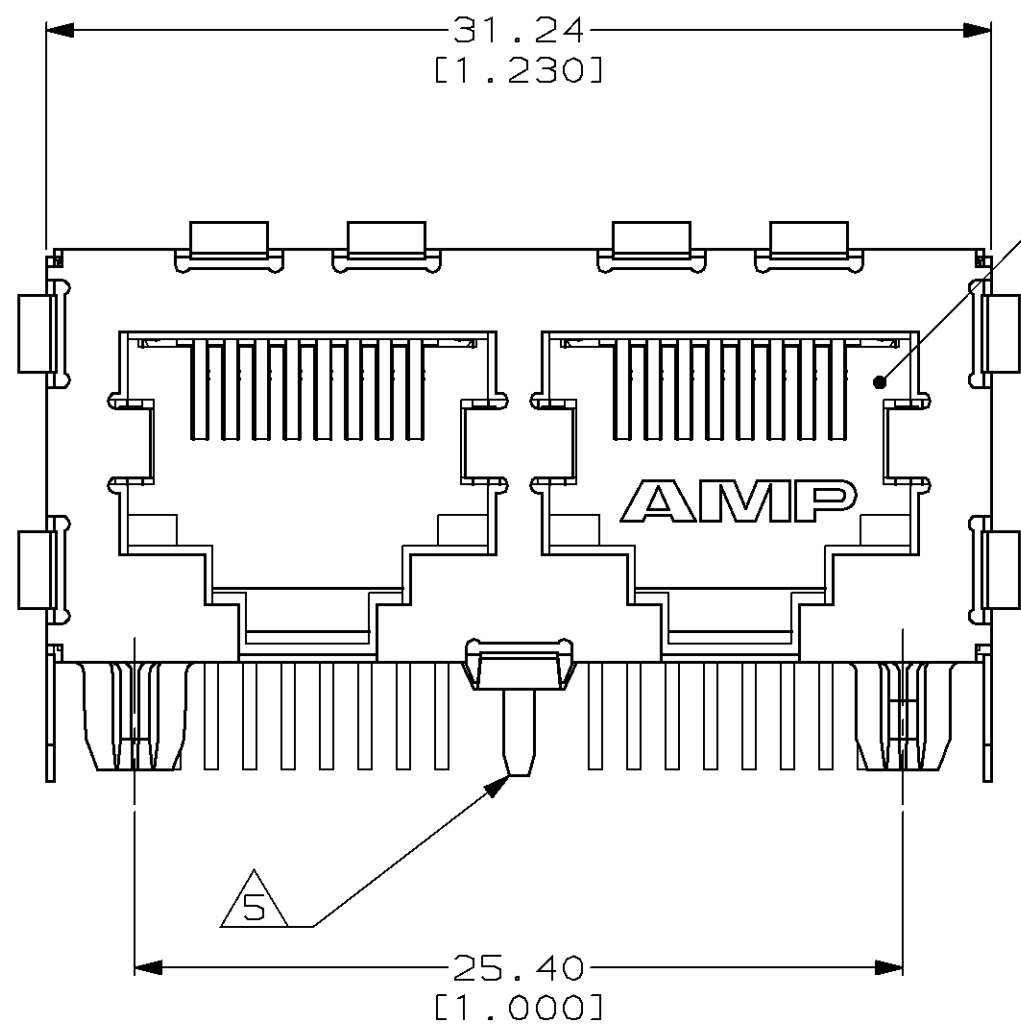
Email & Skype: info@chipsmall.com Web: www.chipsmall.com

Address: A1208, Overseas Decoration Building, #122 Zhenhua RD., Futian, Shenzhen, China

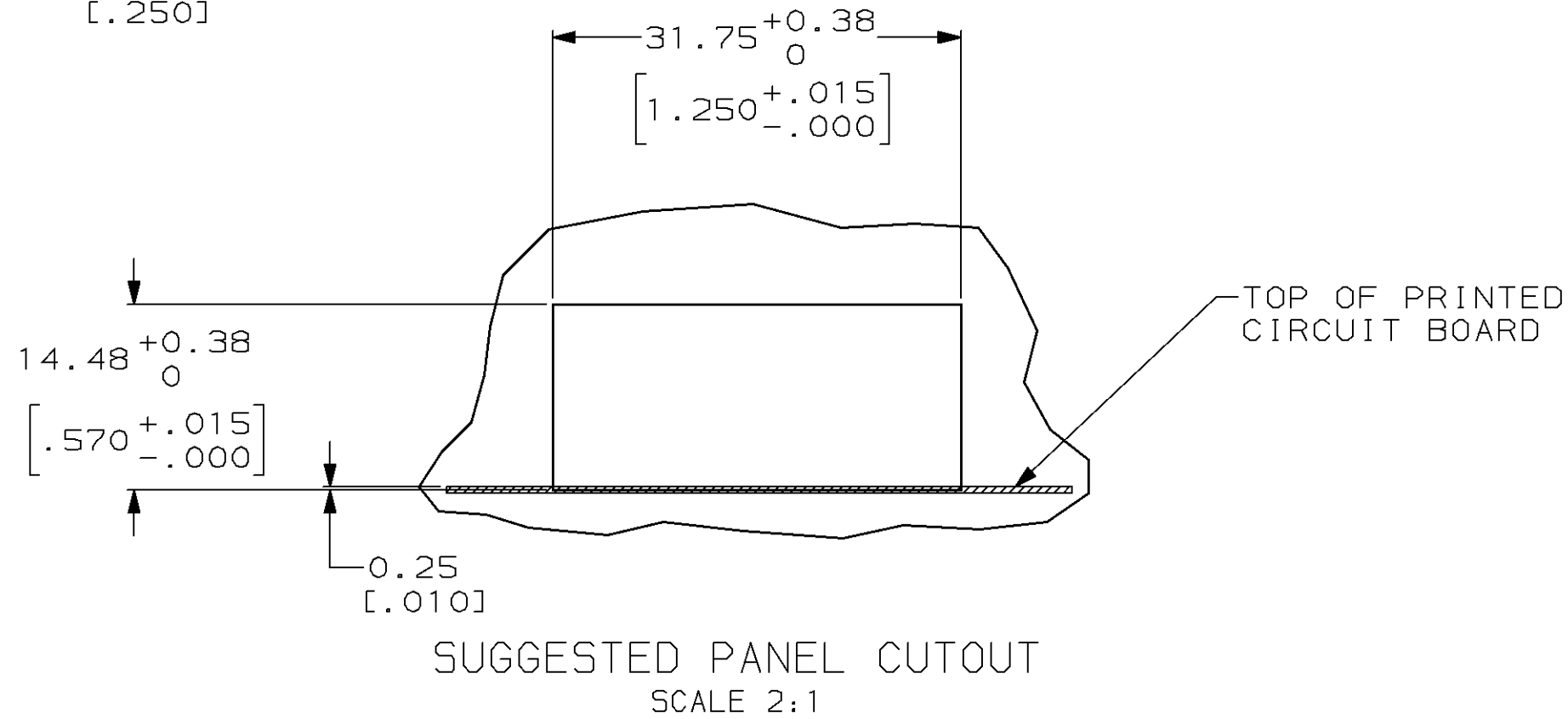
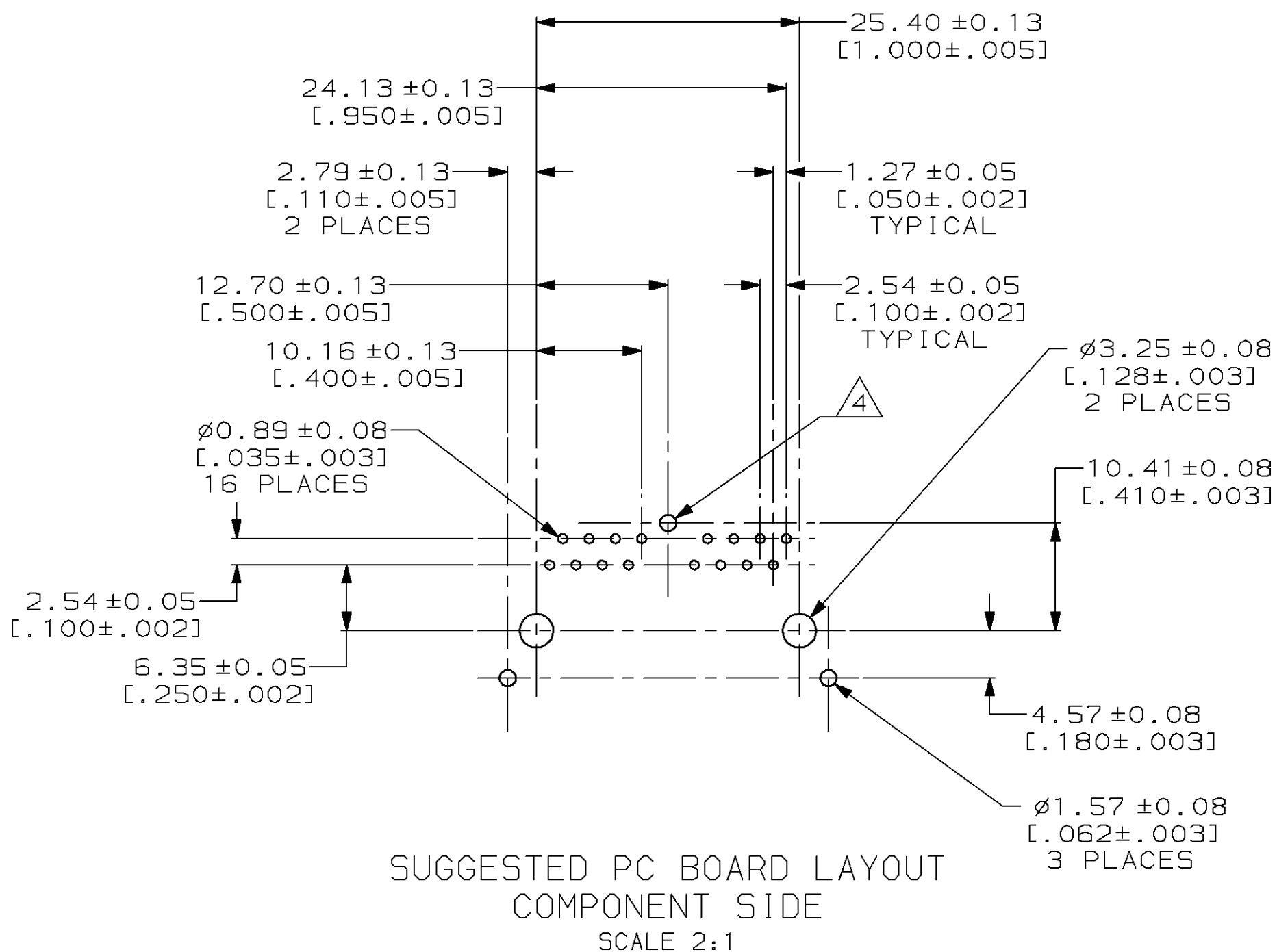


THIS DRAWING IS UNPUBLISHED. RELEASED FOR PUBLICATION  
 BY AMP INCORPORATED. ALL RIGHTS RESERVED.

| LOC |     | DIST        |                   | REVISIONS |     |      |  |
|-----|-----|-------------|-------------------|-----------|-----|------|--|
| P   | LTR | DESCRIPTION |                   | DATE      | DWN | APVD |  |
| AA  | 22  | 0           | RLSD; NPR C97-014 | 24APR97   | DLD | JT   |  |



- ① MATERIAL: HOUSING - HIGH TEMPERATURE NYLON, BLACK, IR COMPATIBLE, UL 94V-0. TERMINALS - 0.33 [0.013] THICK PHOS BRONZE PLATED WITH 1.27µm [0.00050] THICK HARD GOLD IN LOCALIZED AREA AND 3.81µm [0.00150] THICK TIN-LEAD IN SOLDER AREA OVER 1.27µm [0.00050] THICK NICKEL UNDERPLATE. SHIELD - 0.254 [0.010] THICK COPPER ALLOY PLATED WITH 2.03µm [0.00080] MINIMUM TIN-LEAD OVER 2.54µm [0.00100] MINIMUM COPPER.
- ② JACK CAVITY CONFORMS TO FCC RULES AND REGULATIONS, PART 68 SUBPART F.
- 3. ALL DIMENSIONS SHOWN ARE NOMINAL UNLESS OTHERWISE SPECIFIED.
- ④ THIS HOLE REQUIRED FOR -2 ONLY.
- ⑤ REAR GROUND TAB NOT REQUIRED FOR -1.



SUGGESTED PC BOARD LAYOUT  
 COMPONENT SIDE  
 SCALE 2:1

SUGGESTED PANEL CUTOUT  
 SCALE 2:1

| DESCRIPTION                   | PART NO. |
|-------------------------------|----------|
| WITH REAR PCB GROUND TAB      | 406562-2 |
| ⑤ WITHOUT REAR PCB GROUND TAB | 406562-1 |

|  |   |   |  |
|--|---|---|--|
| <small>THIS DRAWING IS A CONTROLLED DOCUMENT FOR AMP INCORPORATED. IT IS SUBJECT TO CHANGE AND THE CONTROLLING ENGINEERING ORGANIZATION SHOULD BE CONTACTED FOR THE LATEST REVISION.</small> |   | DWN DL DRUMMOND 24APR97<br>CHK DL DRUMMOND 25APR97<br>APVD J. TONEY 25APR97     | <b>AMP</b> AMP Incorporated<br>Harrisburg, PA 17105-3608   |
| DIMENSIONS:<br>mm [INCHES]   | TOLERANCES UNLESS OTHERWISE SPECIFIED:<br>0 PLC ±-<br>1 PLC ±-<br>2 PLC ±0.25 [0.01]<br>3 PLC ±0.13 [0.005]<br>4 PLC ±-<br>ANGLES ±-<br>FINISH ±- | NAME J. TONEY<br>PRODUCT SPEC 108-1163<br>APPLICATION SPEC 114-2048<br>WEIGHT - | NAME MODULAR JACK ASSEMBLY,<br>2 PORT, 8 POSITION,<br>RIGHT ANGLE, SHIELDED, CAT 4<br>SIZE A2<br>CAGE CODE 00779<br>DRAWING NO. C-406562 |
| MATERIAL ①   |   | CUSTOMER DRAWING<br>SCALE 4:1 SHEET 1 OF 1 REV 0                                |  |

406562