



Chipsmall Limited consists of a professional team with an average of over 10 year of expertise in the distribution of electronic components. Based in Hongkong, we have already established firm and mutual-benefit business relationships with customers from,Europe,America and south Asia,supplying obsolete and hard-to-find components to meet their specific needs.

With the principle of “Quality Parts,Customers Priority,Honest Operation,and Considerate Service”,our business mainly focus on the distribution of electronic components. Line cards we deal with include Microchip,ALPS,ROHM,Xilinx,Pulse,ON,Everlight and Freescale. Main products comprise IC,Modules,Potentiometer,IC Socket,Relay,Connector.Our parts cover such applications as commercial,industrial, and automotives areas.

We are looking forward to setting up business relationship with you and hope to provide you with the best service and solution. Let us make a better world for our industry!



Contact us

Tel: +86-755-8981 8866 Fax: +86-755-8427 6832

Email & Skype: info@chipsmall.com Web: www.chipsmall.com

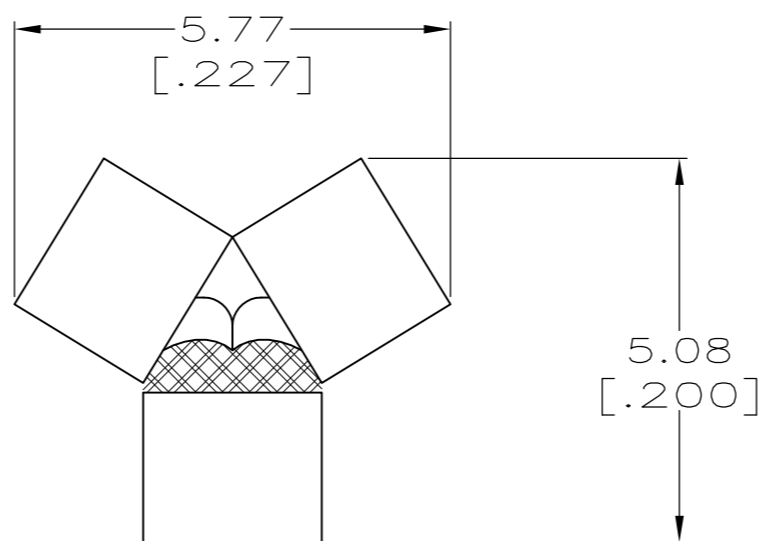
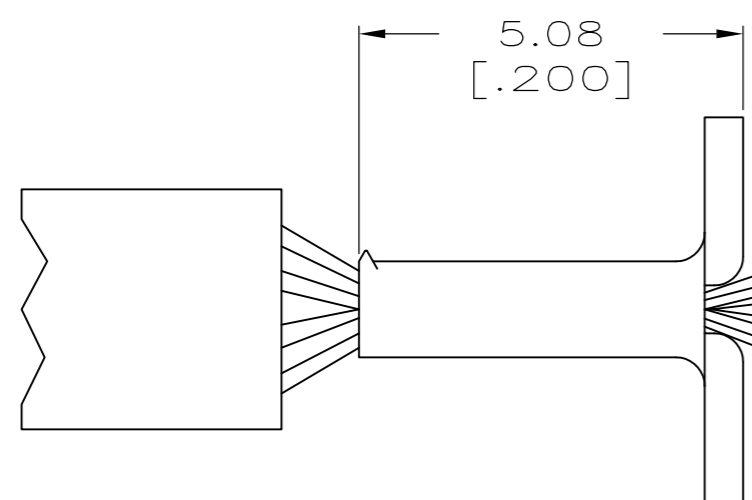
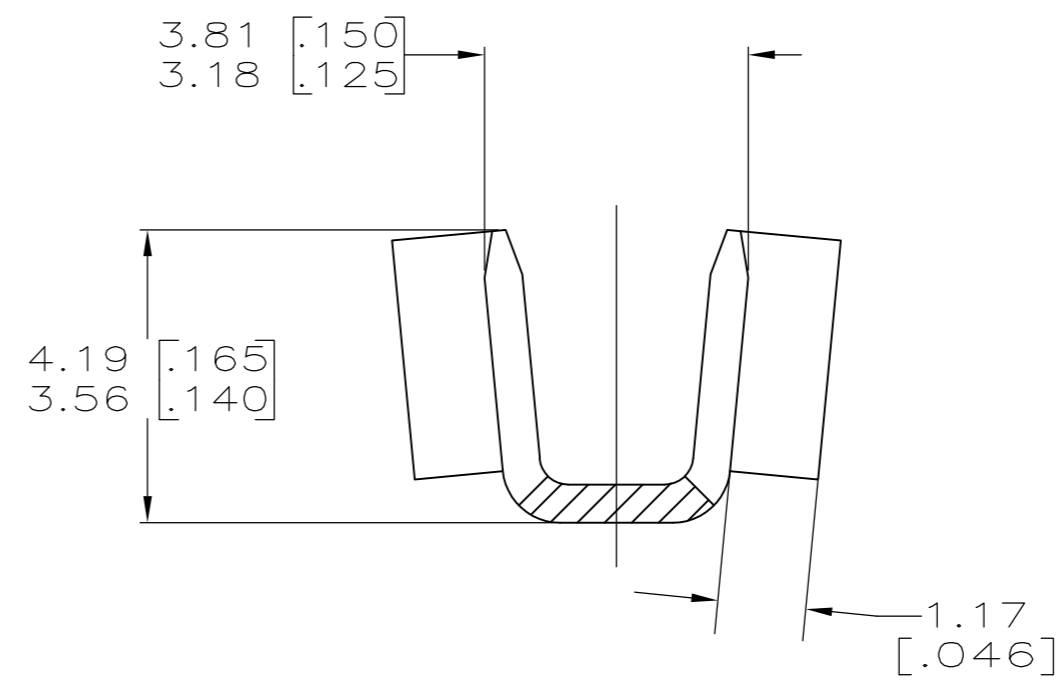
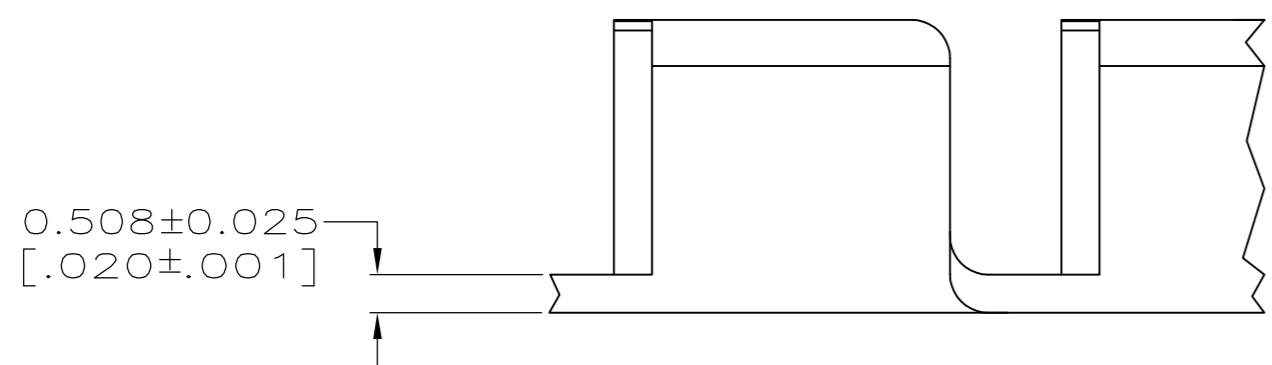
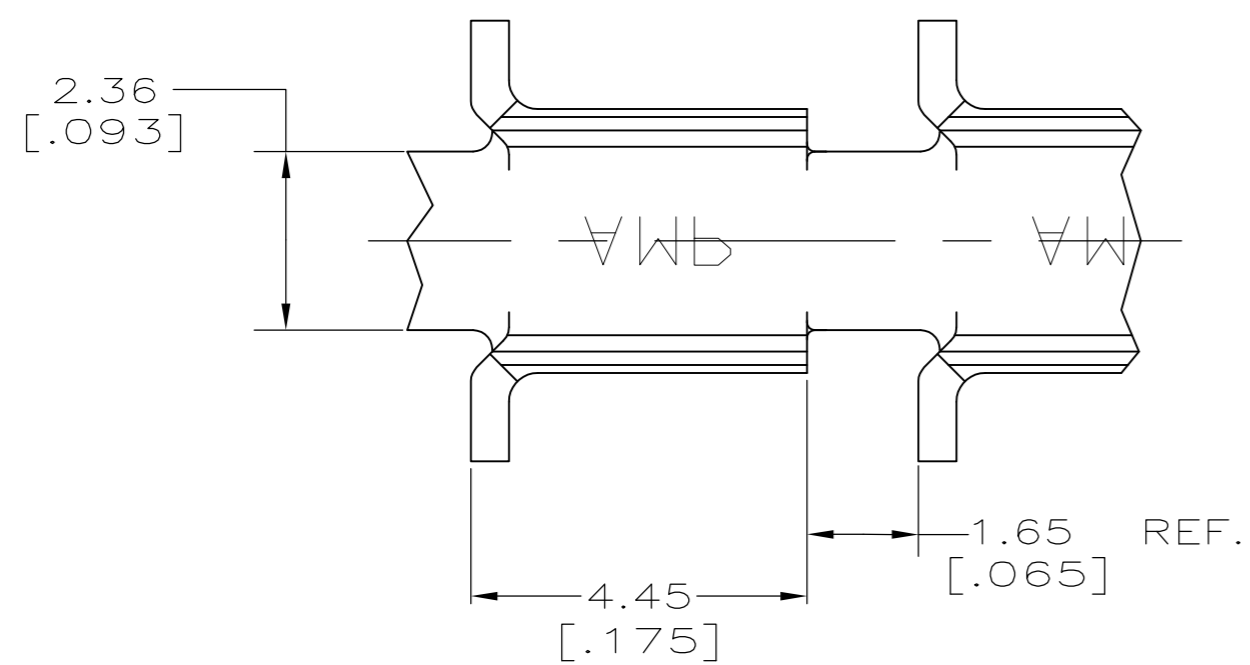
Address: A1208, Overseas Decoration Building, #122 Zhenhua RD., Futian, Shenzhen, China



THIS DRAWING IS UNPUBLISHED. RELEASED FOR PUBLICATION
 © COPYRIGHT BY TYCO ELECTRONICS CORPORATION. ALL RIGHTS RESERVED.

LOC	DIST	REVISIONS			
P	LTR	DESCRIPTION	DATE	DWN	APVD
AF	50	L1	REVISED PER ECR-08-001540	04FEB08	DML DML

△ SUFFIX LETTER MUST BE USED ONLY WHEN ORDERING APPLICATOR TOOLING.



CRIMPED VIEW △
 TERMINAL TO BE BENT IN APPLICATOR

THIS DRAWING IS A CONTROLLED DOCUMENT.	
DIMENSIONS: mm [INCHES]	TOLERANCES UNLESS OTHERWISE SPECIFIED: 0 PLC ± - 1 PLC ± - 2 PLC ± - 3 PLC ± 0.25[.010] 4 PLC ± - ANGLES ± - FINISH -
MATERIAL 082 BRASS	

△ 40662 S	#20-#16 AWG	40662
TERM NO. BENT	WIRE RANGE	PART NUMBER
DWN 11AUG98 SCOTT URICH CHK 27AUG98 MICHAEL S. FEHER APVD 27AUG98 DENNY P. SCHWENK PRODUCT SPEC APPLICATION SPEC NAME CONTACT, BUTTON SIZE A2 CAGE CODE 00779 DRAWING NO. C=40662 RESTRICTED TO - WEIGHT - SCALE 10:1 SHEET 1 OF 1 REV L1 CUSTOMER DRAWING		