



Chipsmall Limited consists of a professional team with an average of over 10 year of expertise in the distribution of electronic components. Based in Hongkong, we have already established firm and mutual-benefit business relationships with customers from,Europe,America and south Asia,supplying obsolete and hard-to-find components to meet their specific needs.

With the principle of “Quality Parts,Customers Priority,Honest Operation,and Considerate Service”,our business mainly focus on the distribution of electronic components. Line cards we deal with include Microchip,ALPS,ROHM,Xilinx,Pulse,ON,Everlight and Freescale. Main products comprise IC,Modules,Potentiometer,IC Socket,Relay,Connector.Our parts cover such applications as commercial,industrial, and automotives areas.

We are looking forward to setting up business relationship with you and hope to provide you with the best service and solution. Let us make a better world for our industry!



Contact us

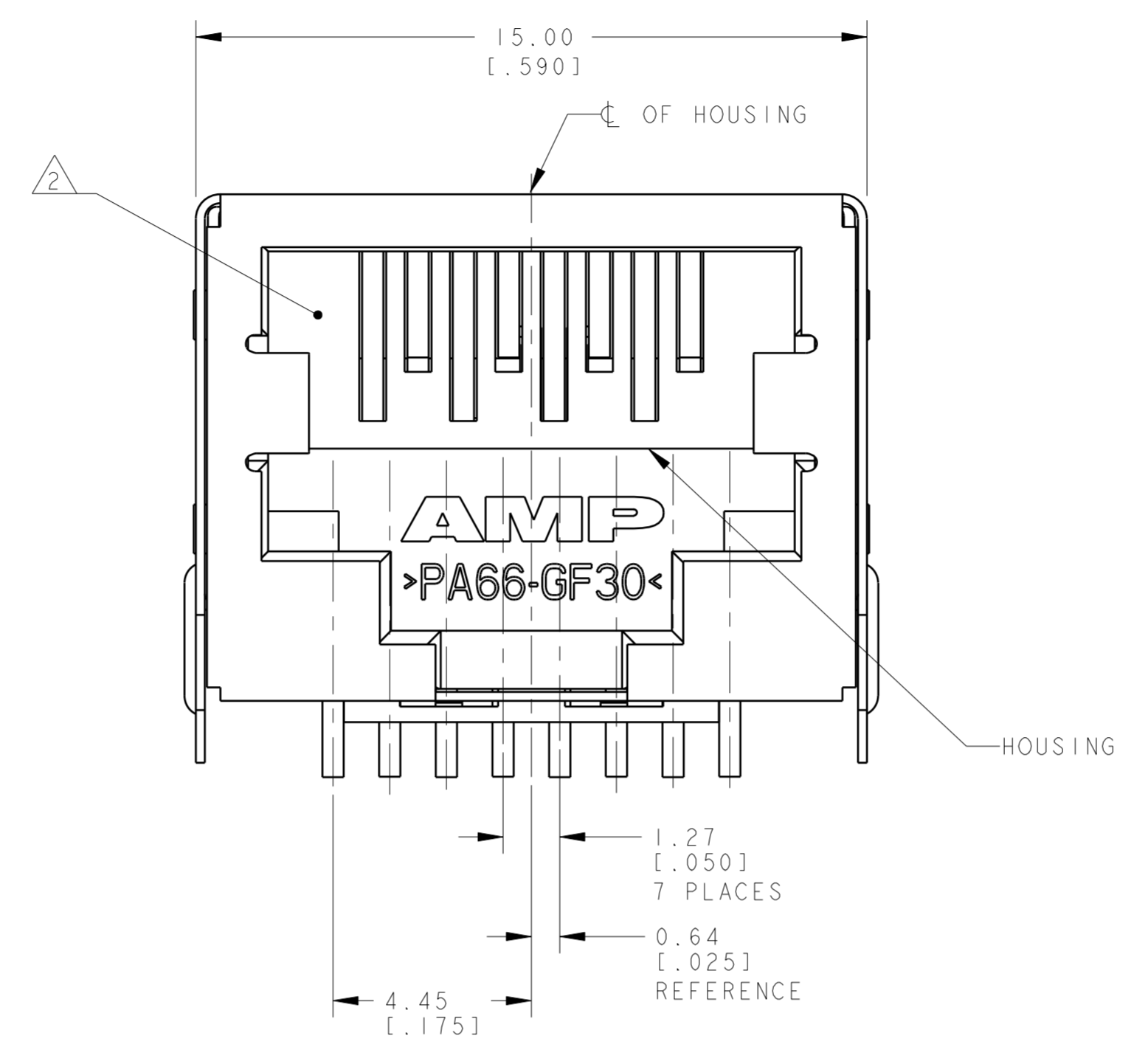
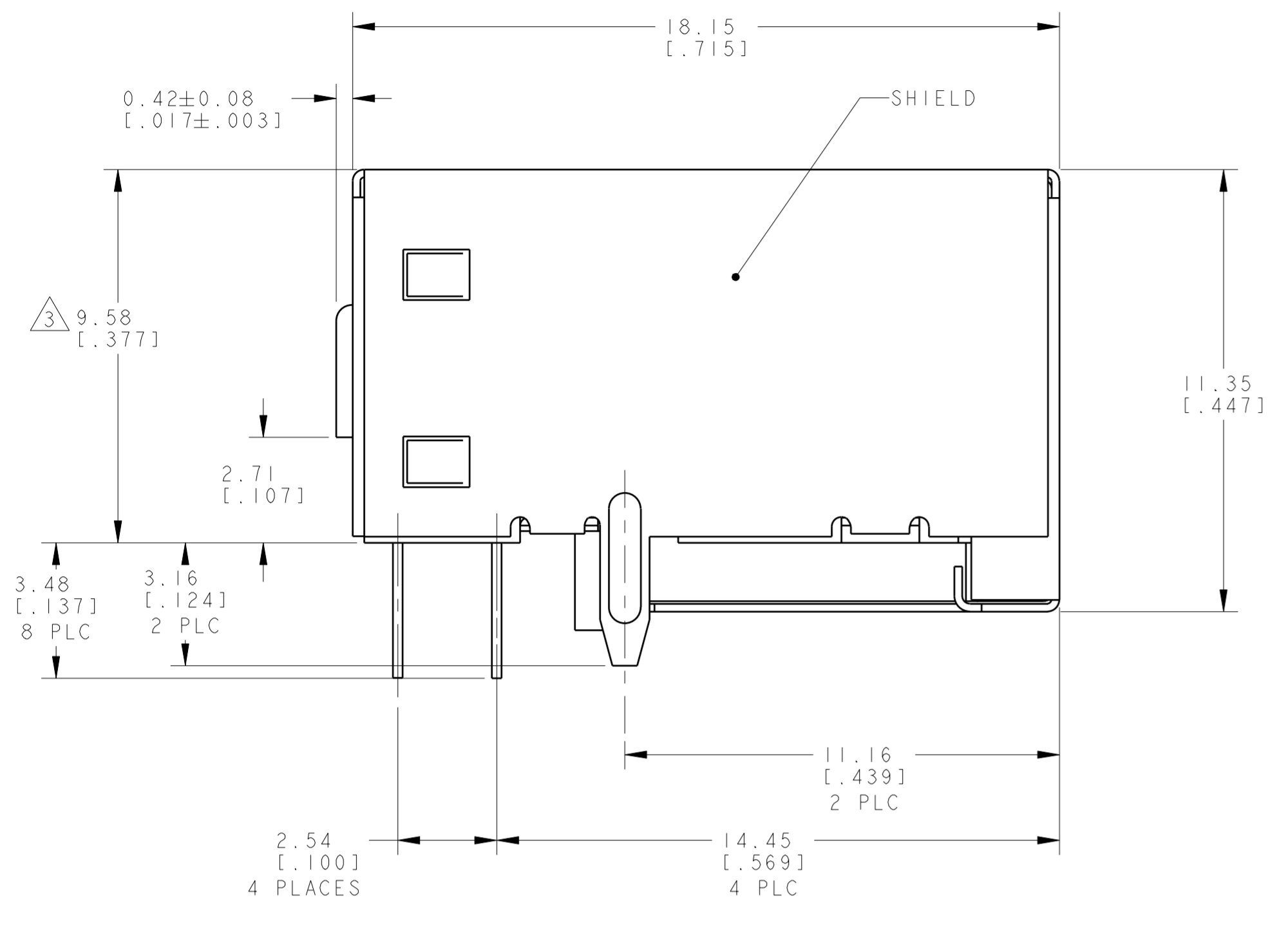
Tel: +86-755-8981 8866 Fax: +86-755-8427 6832

Email & Skype: info@chipsmall.com Web: www.chipsmall.com

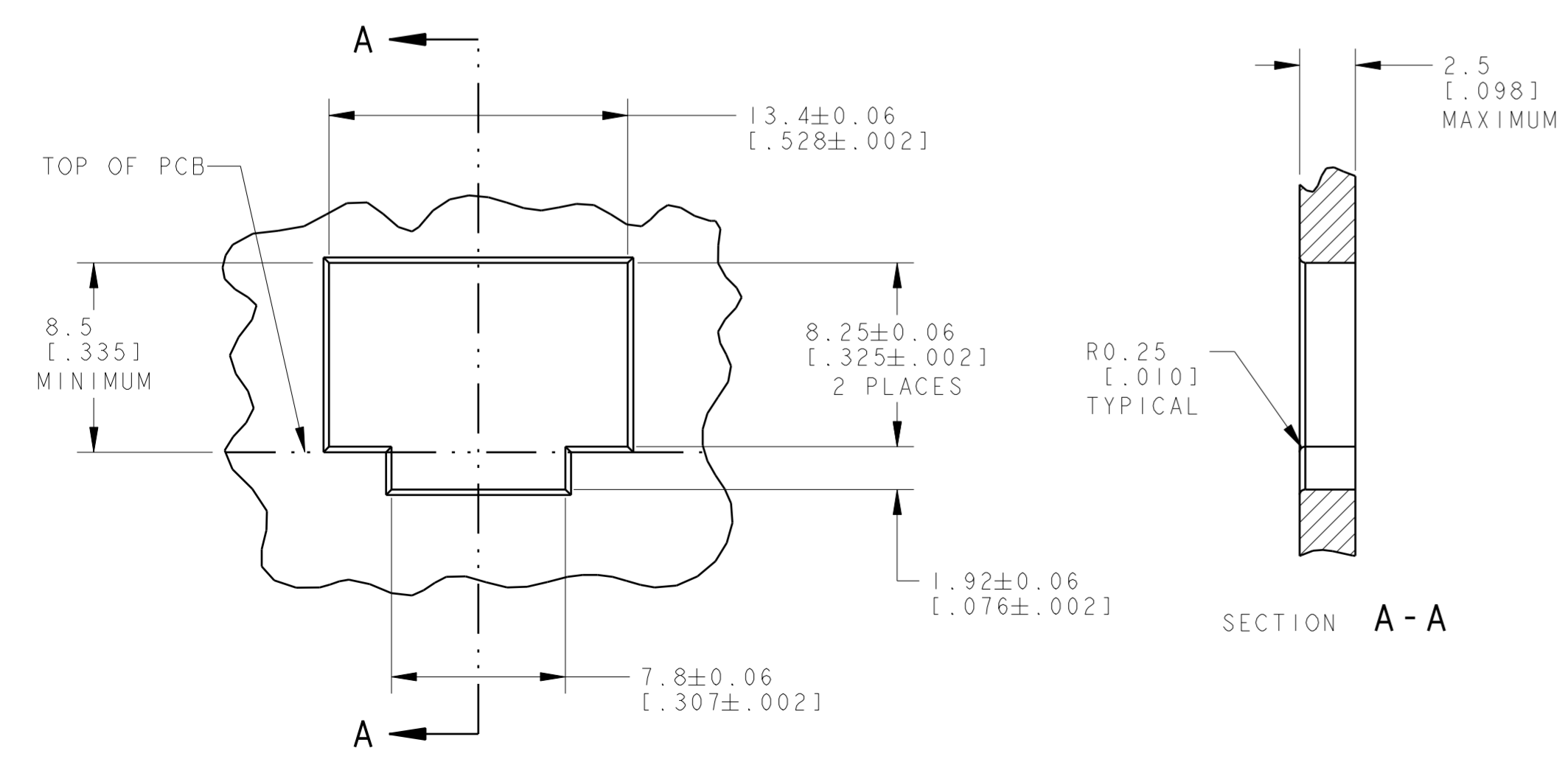
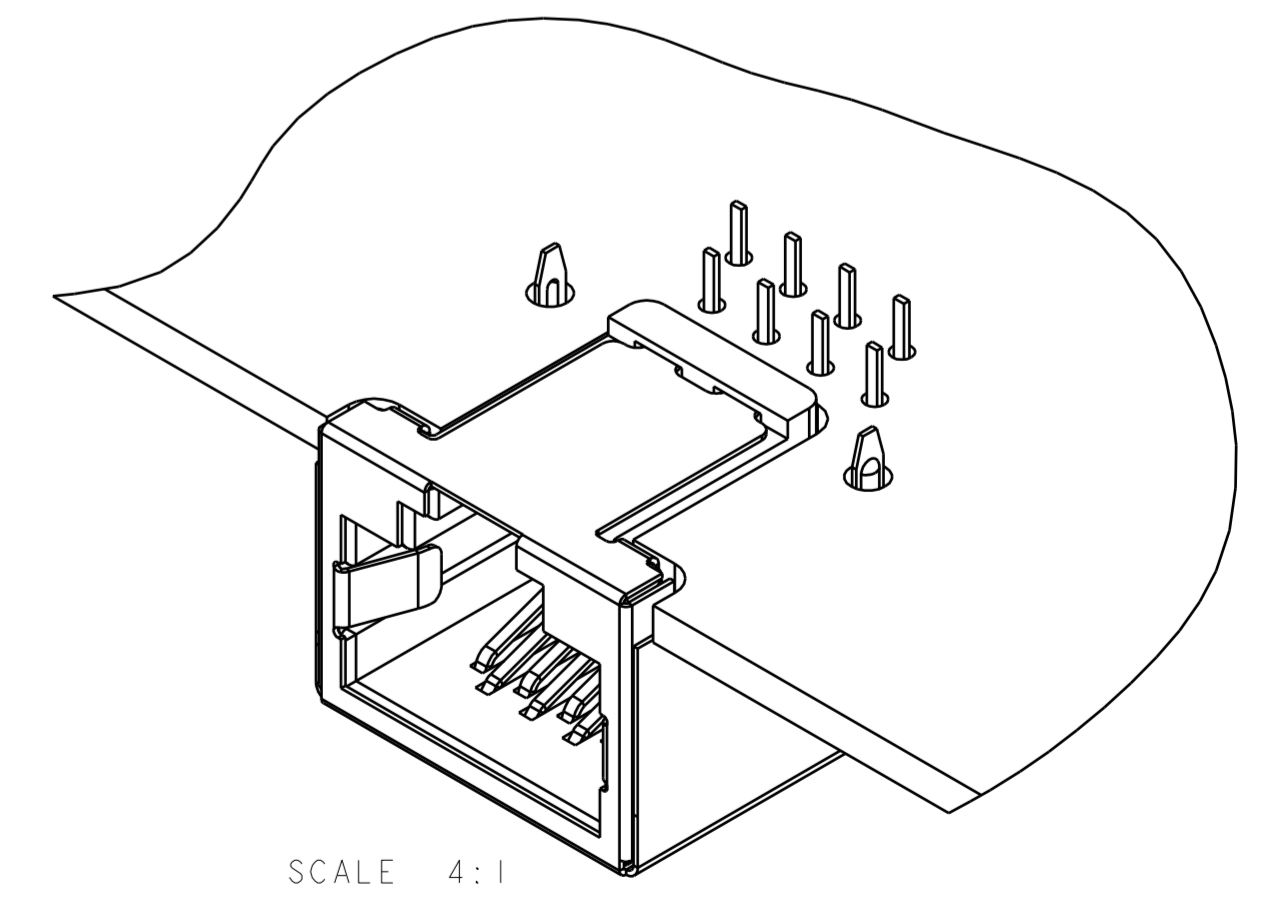
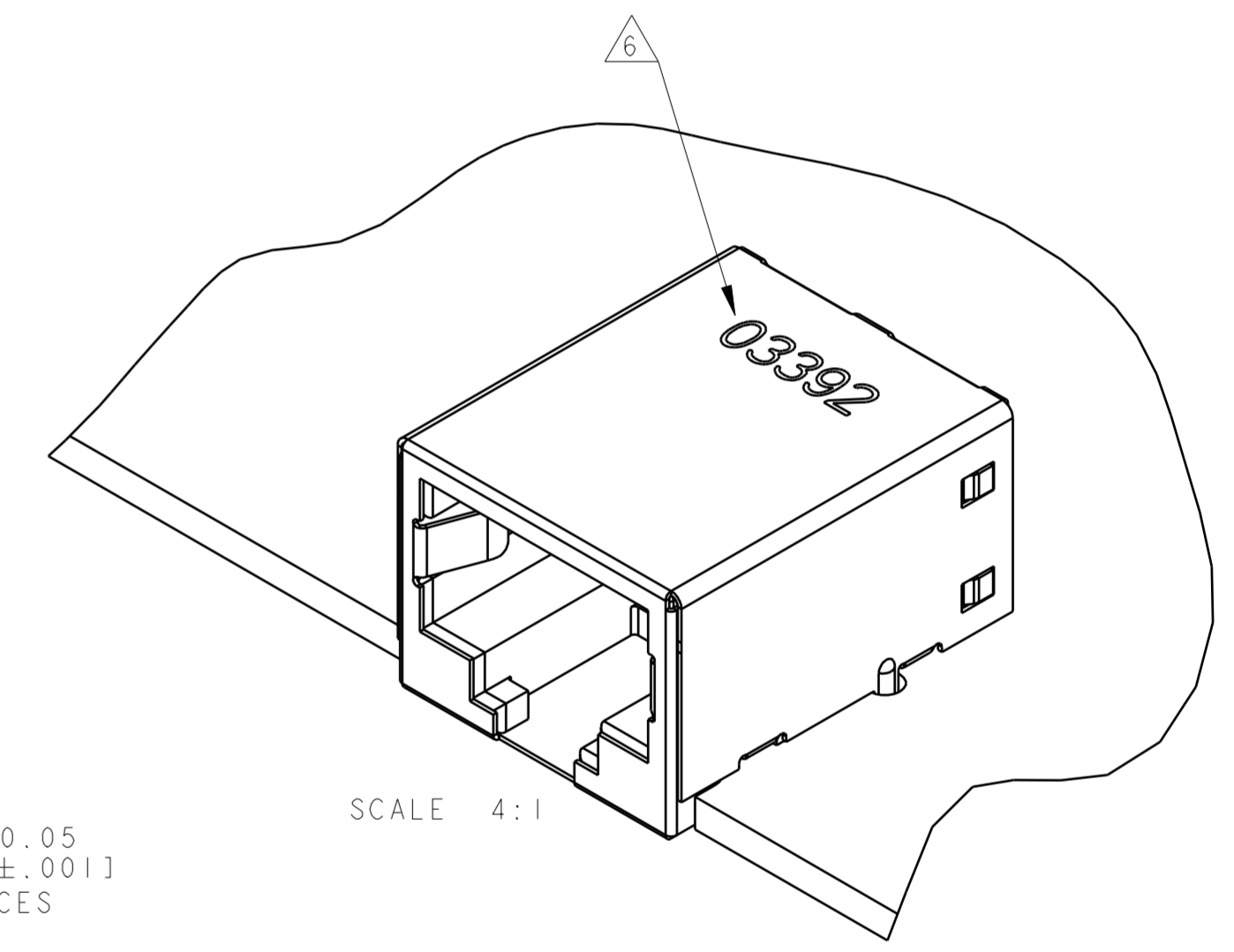
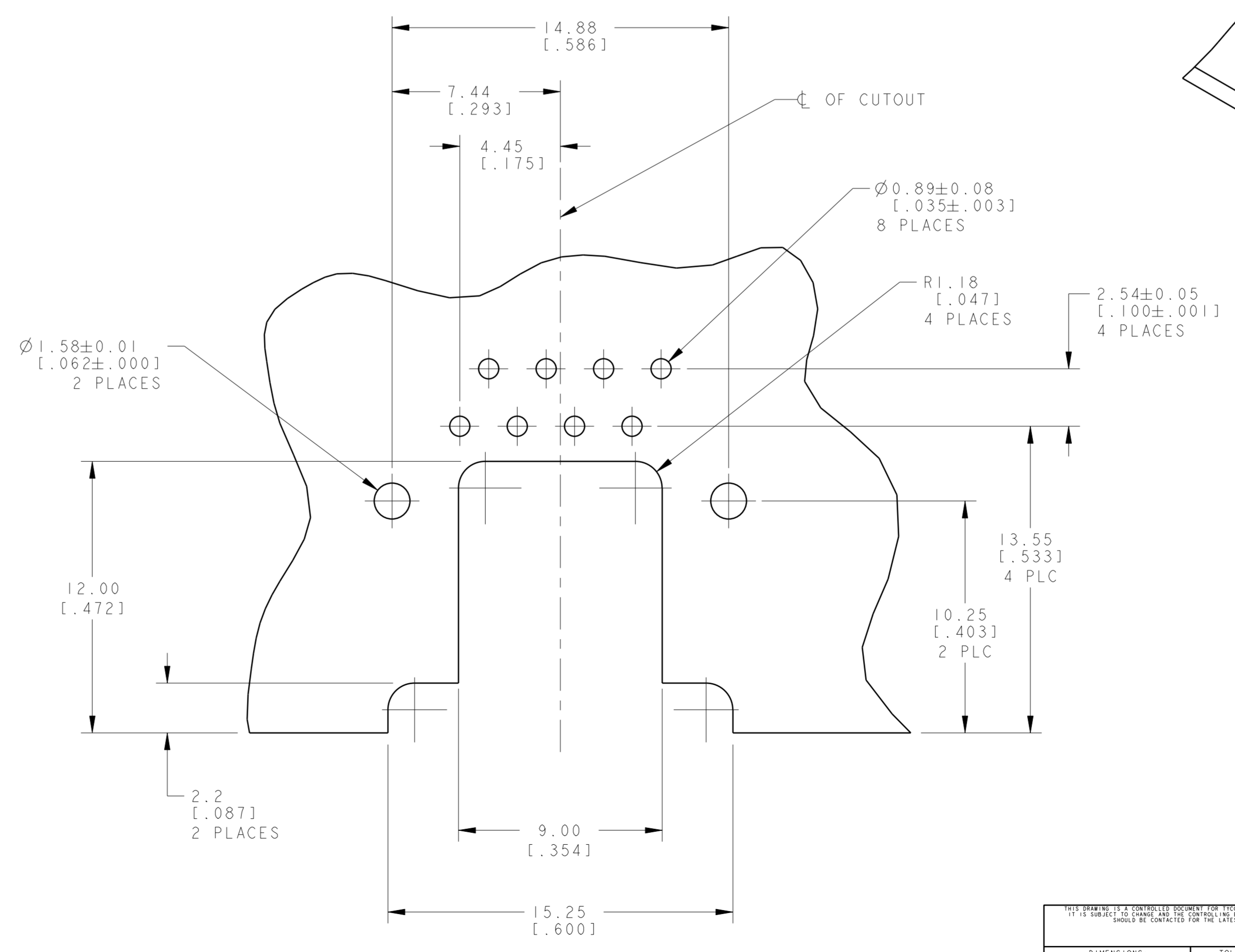
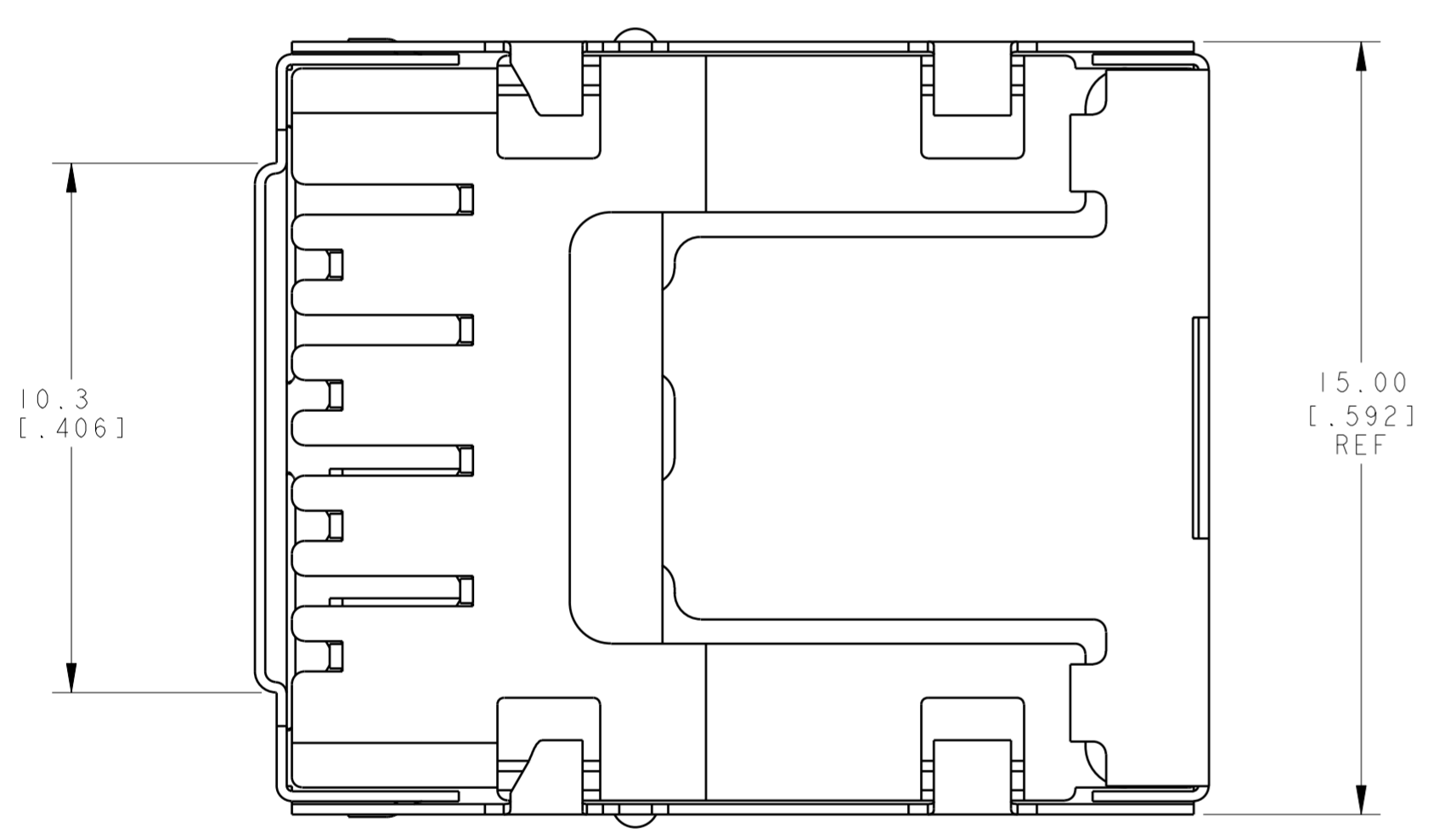
Address: A1208, Overseas Decoration Building, #122 Zhenhua RD., Futian, Shenzhen, China



LOC	DIST	REVISIONS			
AA	22	REV	DATE	BY	APPD
		E	14SEP2004	LAM	BR
		F	27SEP2004	LAM	JW
		G	24AUG2006	LAM	JW
		H	10JUL2008	A.L	S.Y



- 1. MATERIAL: HOUSING - HIGH TEMPERATURE NYLON, BLACK, UL 94V-0. TERMINALS - 0.25(.010) THICK PHOSPHOR BRONZE PLATED WITH 3.81µm(.000150) MINIMUM THICK BRIGHT TIN-LEAD IN SOLDER AREA, 1.27µm(.000050) MINIMUM GOLD IN LOCALIZED PLATE AREA. ENTIRE TERMINAL PLATED WITH 1.27µm(.000050) MINIMUM THICK NICKEL. SHIELD - 0.2(.0079) THICK COPPER ZINC ALLOY, PREPLATED WITH 2.03µm(.000080) MIN THICK BRIGHT TIN OVER 1.27µm(.000080) MIN THICK NICKEL
- 2. JACK CAVITY CONFORMS TO FCC RULES AND REGULATIONS PART 68, SUBPART F.
- 3. THIS DIMENSION REPRESENTS THE TOTAL HEIGHT OF THE CONNECTOR FROM THE TOP OF THE PC BOARD.
- 4. PACKAGED 66 ASSEMBLIES PER PVC TRAY, 396 PER BOX.
- 5. DIELECTRIC WITHSTANDING VOLTAGE BETWEEN SHIELD AND TERMINAL IS 1500 VAC
- 6. MANUFACTURING DATE CODE:
 ORIENTED AND LOCATED APPROXIMATELY AS SHOWN. BLACK INK STAMP. TEXT HEIGHT APPROXIMATELY 2MM.
 FIRST 2 DIGITS = LAST 2 DIGITS OF YEAR
 NEXT 2 DIGITS = MANUFACTURING WORK WEEK
 LAST DIGIT = DAY OF WEEK WITH SUNDAY = 1
- 7. MATERIAL: HOUSING - HIGH TEMPERATURE NYLON, BLACK, UL 94V-0. TERMINALS - 0.25(.010) THICK PHOSPHOR BRONZE PLATED WITH 3.81µm(.000150) MINIMUM THICK MATTE TIN IN SOLDER AREA, 1.27µm(.000050) MINIMUM GOLD IN LOCALIZED PLATE AREA. ENTIRE TERMINAL PLATED WITH 1.27µm(.000050) MINIMUM THICK NICKEL. SHIELD - 0.2(.0079) THICK COPPER ZINC ALLOY, PREPLATED WITH 2.03µm(.000080) MIN THICK BRIGHT TIN OVER 1.27µm(.000050) MINIMUM THICK NICKEL



SUGGESTED PANEL CUTOUT SCALE 4:1

SUGGESTED PRINTED CIRCUIT BOARD LAYOUT COMPONENT SIDE SCALE 6:1

406732-2	406732-1
MATERIAL/FINISH	PART NUMBER

DIMENSIONS: mm [INCHES] 0 PLC ± 1 PLC ± 2 PLC ±0.13(.005) 3 PLC ± 4 PLC ± ANGLES ±		TOLERANCES UNLESS OTHERWISE SPECIFIED: DIMENSIONS: mm [INCHES] 0 PLC ± 1 PLC ± 2 PLC ±0.13(.005) 3 PLC ± 4 PLC ± ANGLES ±		DWN L. VARSIK 14FEB01 CHK L. VARSIK 14FEB01 APVD L. VARSIK 14FEB01 NAME PRODUCT SPEC 108-1163 APPLICATION SPEC 114-2048 WEIGHT 3.4 grams CUSTOMER DRAWING		Tyco Electronics Corporation Harrisburg, PA 17105-3608 MODULAR JACK ASSEMBLY, 8 POSITION, SHIELDED, 10mm, WITHOUT PANEL TABS, WITHOUT POSTS SIZE CODE CODE DRAWING NO. 114-2048 RESTRICTED TO SCALE 8:1 SHEET 1 OF 1 REV H	
--	--	--	--	--	--	---	--