



Chipsmall Limited consists of a professional team with an average of over 10 year of expertise in the distribution of electronic components. Based in Hongkong, we have already established firm and mutual-benefit business relationships with customers from,Europe,America and south Asia,supplying obsolete and hard-to-find components to meet their specific needs.

With the principle of “Quality Parts,Customers Priority,Honest Operation,and Considerate Service”,our business mainly focus on the distribution of electronic components. Line cards we deal with include Microchip,ALPS,ROHM,Xilinx,Pulse,ON,Everlight and Freescale. Main products comprise IC,Modules,Potentiometer,IC Socket,Relay,Connector.Our parts cover such applications as commercial,industrial, and automotives areas.

We are looking forward to setting up business relationship with you and hope to provide you with the best service and solution. Let us make a better world for our industry!



Contact us

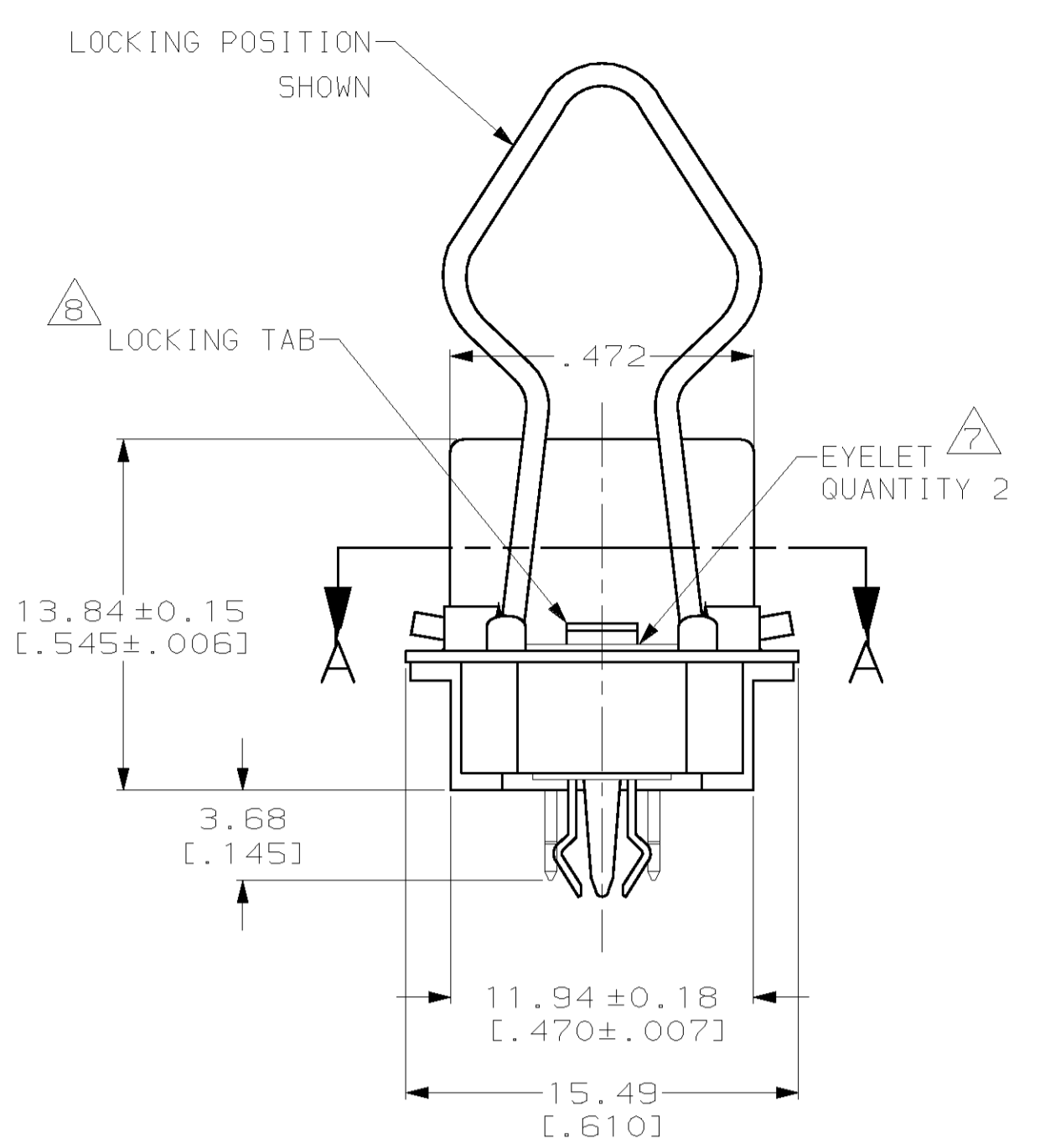
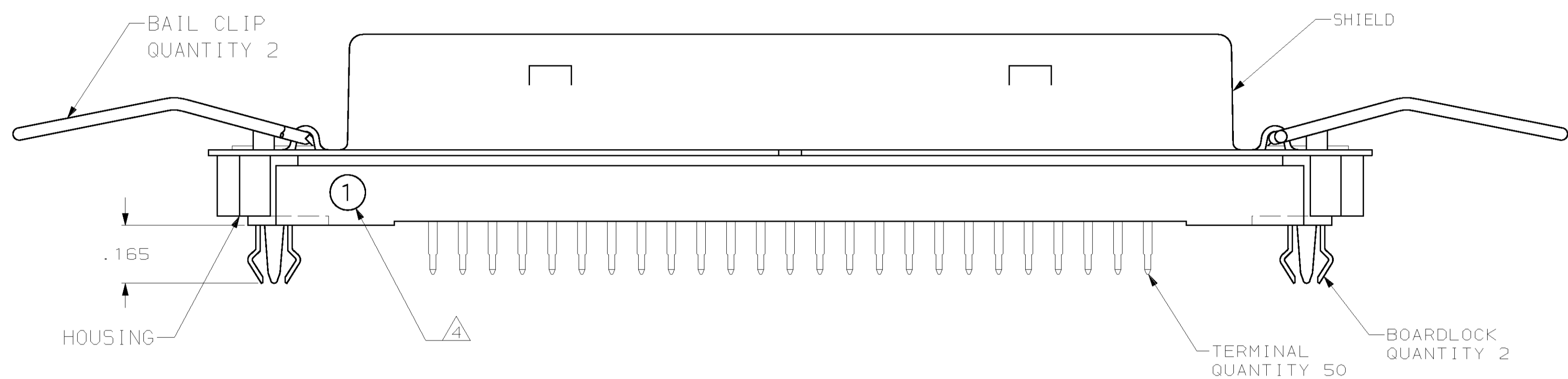
Tel: +86-755-8981 8866 Fax: +86-755-8427 6832

Email & Skype: info@chipsmall.com Web: www.chipsmall.com

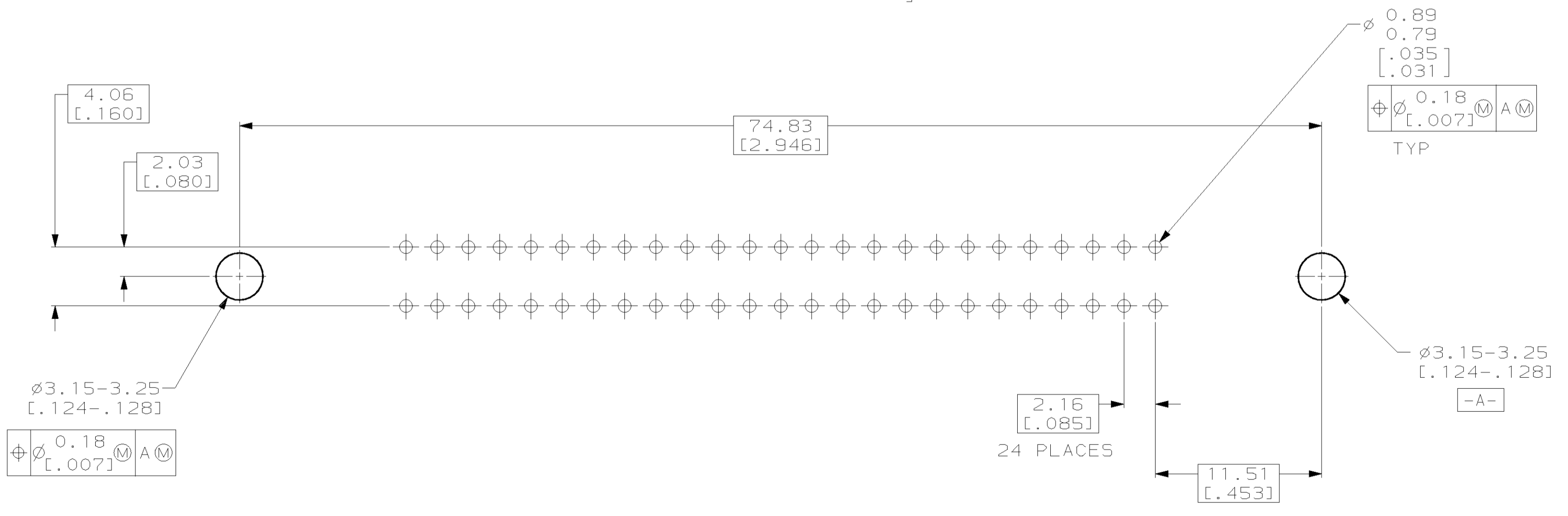
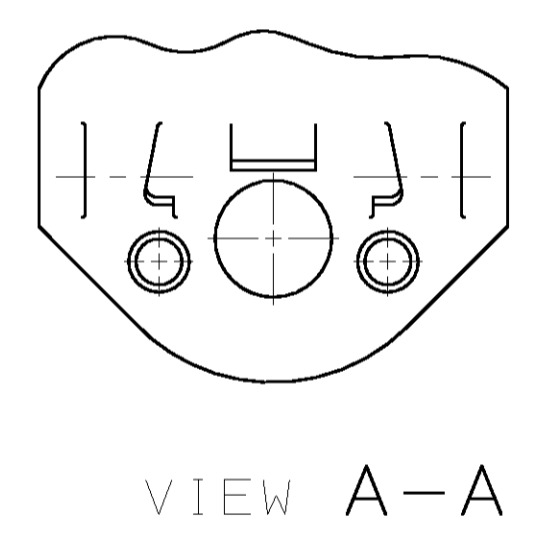
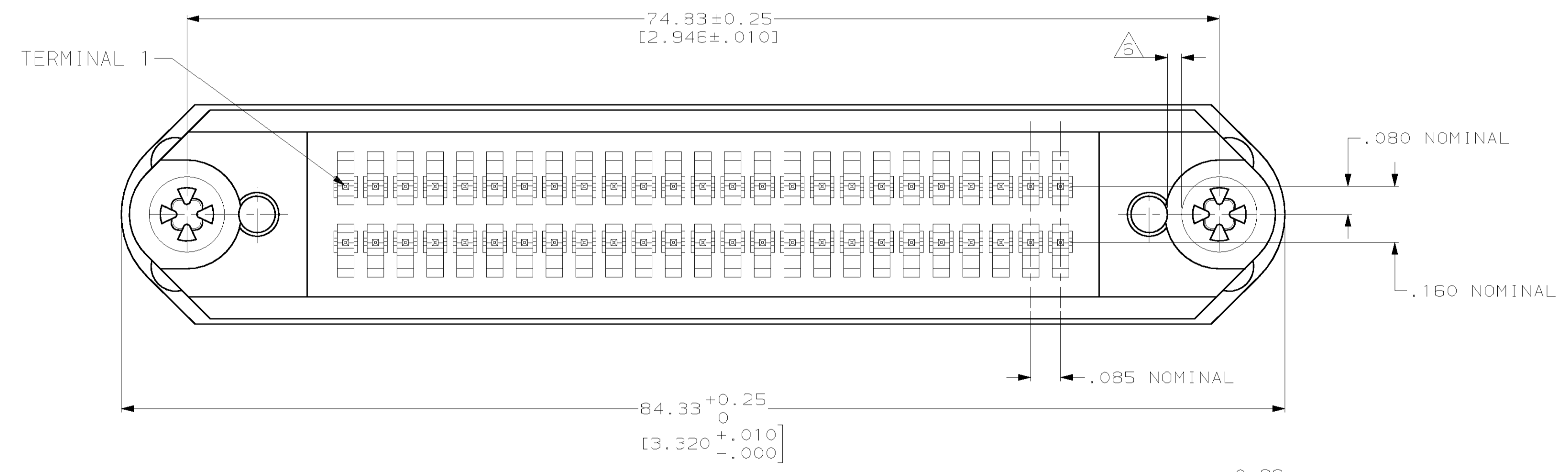
Address: A1208, Overseas Decoration Building, #122 Zhenhua RD., Futian, Shenzhen, China



LOC	DIST	REVISIONS			
F	CHR	DESCRIPTION	DATE	ENR	APVD
A		REVISED, EC 0012-99	18AUG99	DLD	EWB



- ⚠ MATERIAL: HOUSING - POLYESTER, BLACK. TERMINAL - COPPER ALLOY PLATED WITH 0.76µm [0.00030] MINIMUM GOLD ON MATING SURFACE AND 3.81µm [0.00150] MINIMUM MATTE TIN-LEAD SOLDER PIN AREA OVER 1.27µm [0.00050] MINIMUM NICKEL UNDERPLATE OVER ENTIRE TERMINAL. SHIELD - CARBON STEEL, PLATED BRIGHT NICKEL 2.54µm [0.00100] MINIMUM. BAIL CLIP - PASSIVATED STAINLESS STEEL. BOARDLOCK - COPPER ALLOY WITH 5.08µm [0.00200] MINIMUM TIN-LEAD OVER 1.27µm [0.00050] MINIMUM NICKEL UNDERPLATE. EYELET - BRASS WITH 1.02µm [0.00040] MINIMUM STANNATE TIN ELECTROPLATE.
- ⚠ TOLERANCES ARE: ±0.13 [0.005] UNLESS OTHERWISE SPECIFIED.
- 3. THE CONTACT SURFACES OF THE TERMINALS ARE COATED WITH LUBRICANT.
- ⚠ "1" ON HOUSING INDICATES LOCATION OF TERMINAL 1.
- ⚠ .04 INCH MINIMUM BETWEEN EYELET HEAD AND .10 DIAMETER HOLE IN HOUSING, 2 PLACES.
- ⚠ EYELET SHALL PROVIDE A CONTINUOUS AND RELIABLE GROUND PATH THROUGH THE BOARDLOCK.
- ⚠ LOCKING TAB RETAINS ENDS OF BAILS IN SHIELD LOCATORS.



PRINTED CIRCUIT BOARD MOUNTING DIMENSIONS

406874-1 PART NUMBER

THIS DRAWING IS A CONTROLLED DOCUMENT.		DWG: DL DRUMMOND 05 MAY 97 CHK: DL DRUMMOND 09 MAY 97 APVD: FL FLAHERTY 09 MAY 97	NAME: AMP Incorporated Harrisburg, PA 17105-3608
DIMENSIONS: mm [INCHES] 0 PLC ±.01 1 PLC ±.02 2 PLC ±.03 3 PLC ±.04 4 PLC ±.05 UNLESS OTHERWISE SPECIFIED	TOLERANCES UNLESS OTHERWISE SPECIFIED: 0 PLC ±.01 1 PLC ±.02 2 PLC ±.03 3 PLC ±.04 4 PLC ±.05 UNLESS OTHERWISE SPECIFIED	PRODUCT SPEC: - APPLICATION SPEC: - WEIGHT: - CUSTOMER DRAWING	RECEPTACLE ASSEMBLY, 50 POSITION, BOARDLOCK, SHIELDED, LOW PROFILE, VERTICAL MOUNTING, WITH LOCKING TAB SIZE: A1 CAGE CODE: 00779 DRAWING NO: C-406874 SCALE: 4:1 SHEET: 1 OF 1 REV: A