



Chipsmall Limited consists of a professional team with an average of over 10 year of expertise in the distribution of electronic components. Based in Hongkong, we have already established firm and mutual-benefit business relationships with customers from,Europe,America and south Asia,supplying obsolete and hard-to-find components to meet their specific needs.

With the principle of "Quality Parts,Customers Priority,Honest Operation,and Considerate Service",our business mainly focus on the distribution of electronic components. Line cards we deal with include Microchip,ALPS,ROHM,Xilinx,Pulse,ON,Everlight and Freescale. Main products comprise IC,Modules,Potentiometer,IC Socket,Relay,Connector.Our parts cover such applications as commercial,industrial, and automotives areas.

We are looking forward to setting up business relationship with you and hope to provide you with the best service and solution. Let us make a better world for our industry!



## Contact us

Tel: +86-755-8981 8866 Fax: +86-755-8427 6832

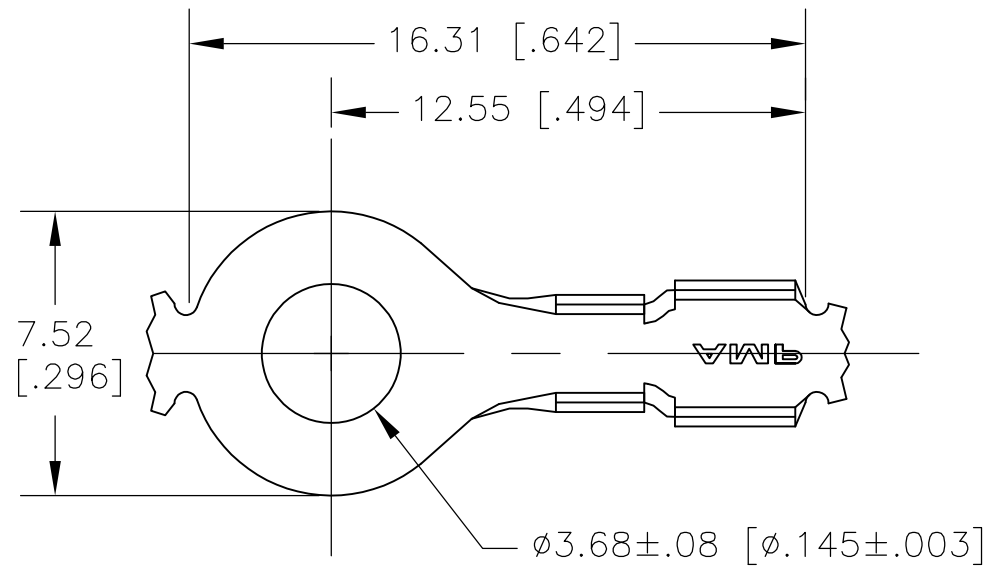
Email & Skype: info@chipsmall.com Web: www.chipsmall.com

Address: A1208, Overseas Decoration Building, #122 Zhenhua RD., Futian, Shenzhen, China

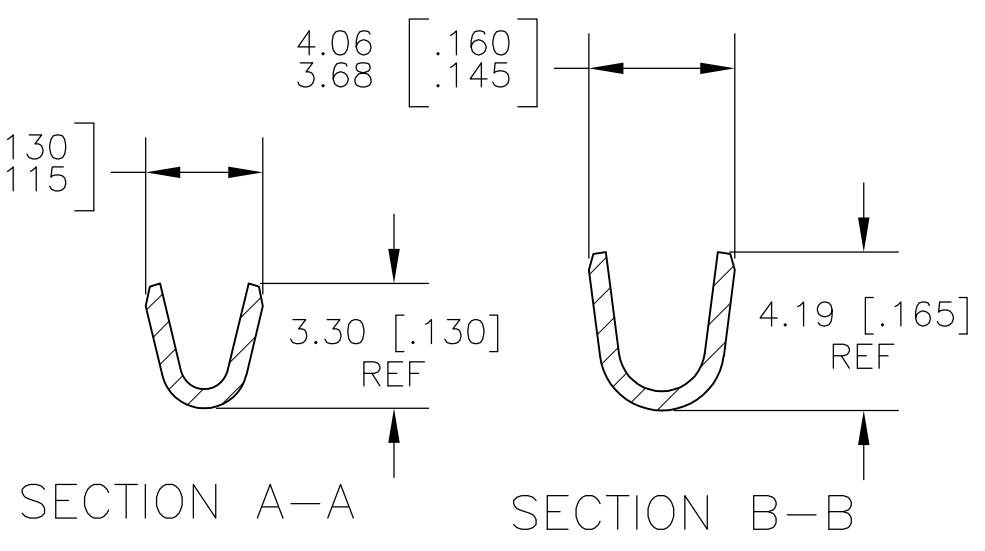
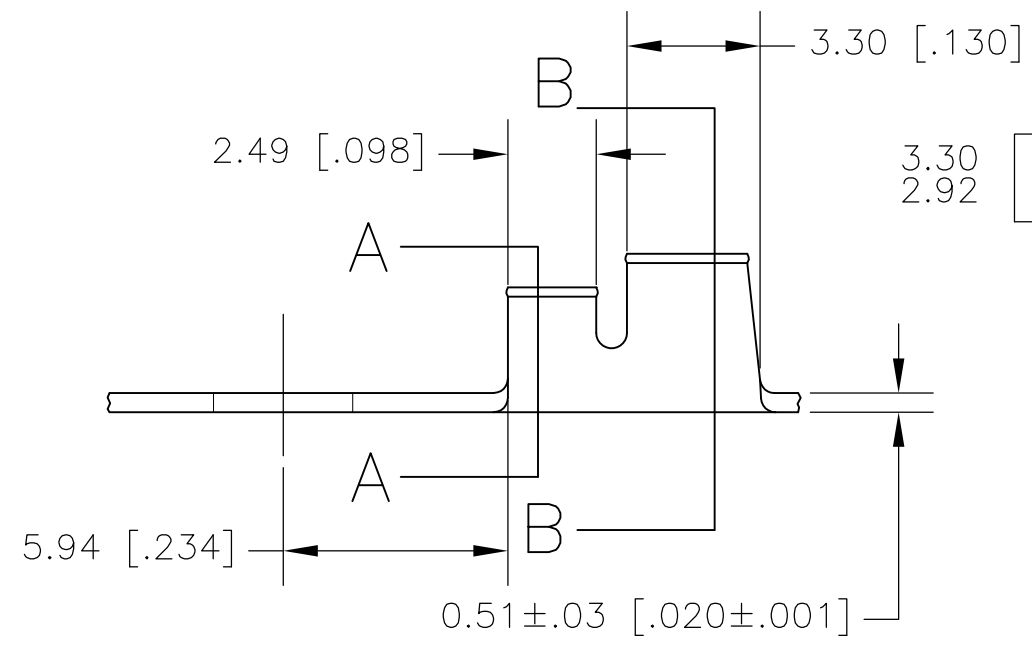


THIS DRAWING IS UNPUBLISHED. RELEASED FOR PUBLICATION  
 © COPYRIGHT BY TYCO ELECTRONICS CORPORATION. ALL RIGHTS RESERVED.

LOC	DIST	REVISIONS			
P	LTR	DESCRIPTION	DATE	DWN	APVD
	P	REVISED PER ECR-10-06099	07JUL10	HMR	PD



- CONTINUOUS STRIP ON REELS.
  - WIRE SIZE [22-18] AWG.
  - INSULATION RANGE 1.52-2.79 [.060-.110] DIA.
- △ 5 PRELIMINARY - NOT FOR PRODUCTION



1/2 HARD STAINLESS STEEL	△ 5 40697-2
082 BRASS	40697
MATERIAL	PART NUMBER

THIS DRAWING IS A CONTROLLED DOCUMENT.		DWN	JR RUTH	17NOV00	Tyco Electronics Corporation Harrisburg, Pa 17105-3608		
DIMENSIONS: INCHES		CHK	MS FEHER	17NOV00			
TOLERANCES UNLESS OTHERWISE SPECIFIED:		APVD	D DECKER	17NOV00	RING TONGUE		
0 PLC ± - 1 PLC ± - 2 PLC ± 0.38 [.015] 3 PLC ± - 4 PLC ± - ANGLES ± -		PRODUCT SPEC		SIZE			RESTRICTED TO
MATERIAL SEE TABLE		FINISH TIN		APPLICATION SPEC		CAGE CODE	00779
		WEIGHT -		DRAWING NO		C-40697	
CUSTOMER DRAWING				SCALE	5:1	SHEET	1 OF 1
				REV		P	