



Chipsmall Limited consists of a professional team with an average of over 10 year of expertise in the distribution of electronic components. Based in Hongkong, we have already established firm and mutual-benefit business relationships with customers from,Europe,America and south Asia,supplying obsolete and hard-to-find components to meet their specific needs.

With the principle of “Quality Parts,Customers Priority,Honest Operation,and Considerate Service”,our business mainly focus on the distribution of electronic components. Line cards we deal with include Microchip,ALPS,ROHM,Xilinx,Pulse,ON,Everlight and Freescale. Main products comprise IC,Modules,Potentiometer,IC Socket,Relay,Connector.Our parts cover such applications as commercial,industrial, and automotives areas.

We are looking forward to setting up business relationship with you and hope to provide you with the best service and solution. Let us make a better world for our industry!



## Contact us

Tel: +86-755-8981 8866 Fax: +86-755-8427 6832

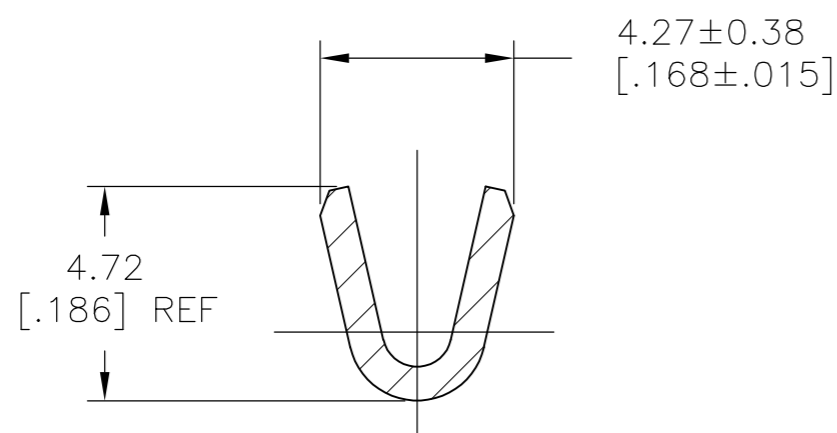
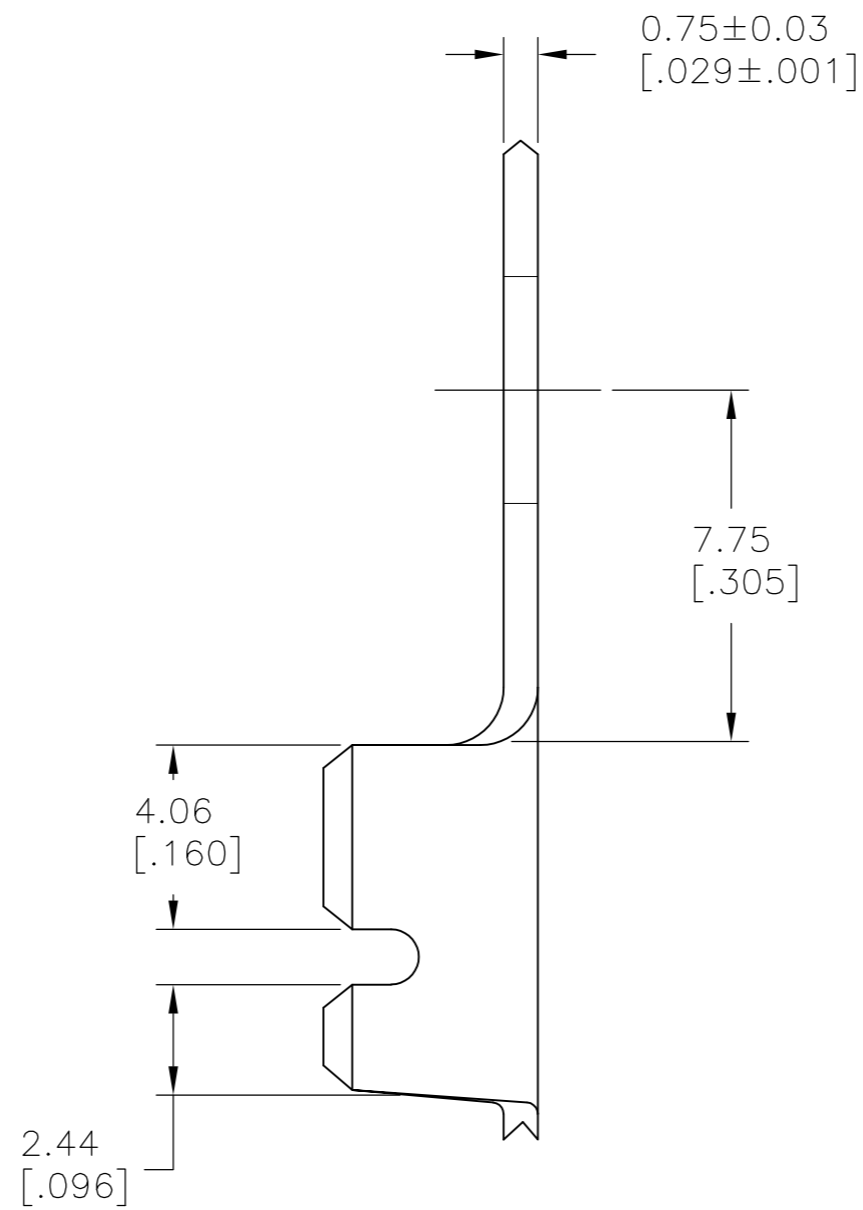
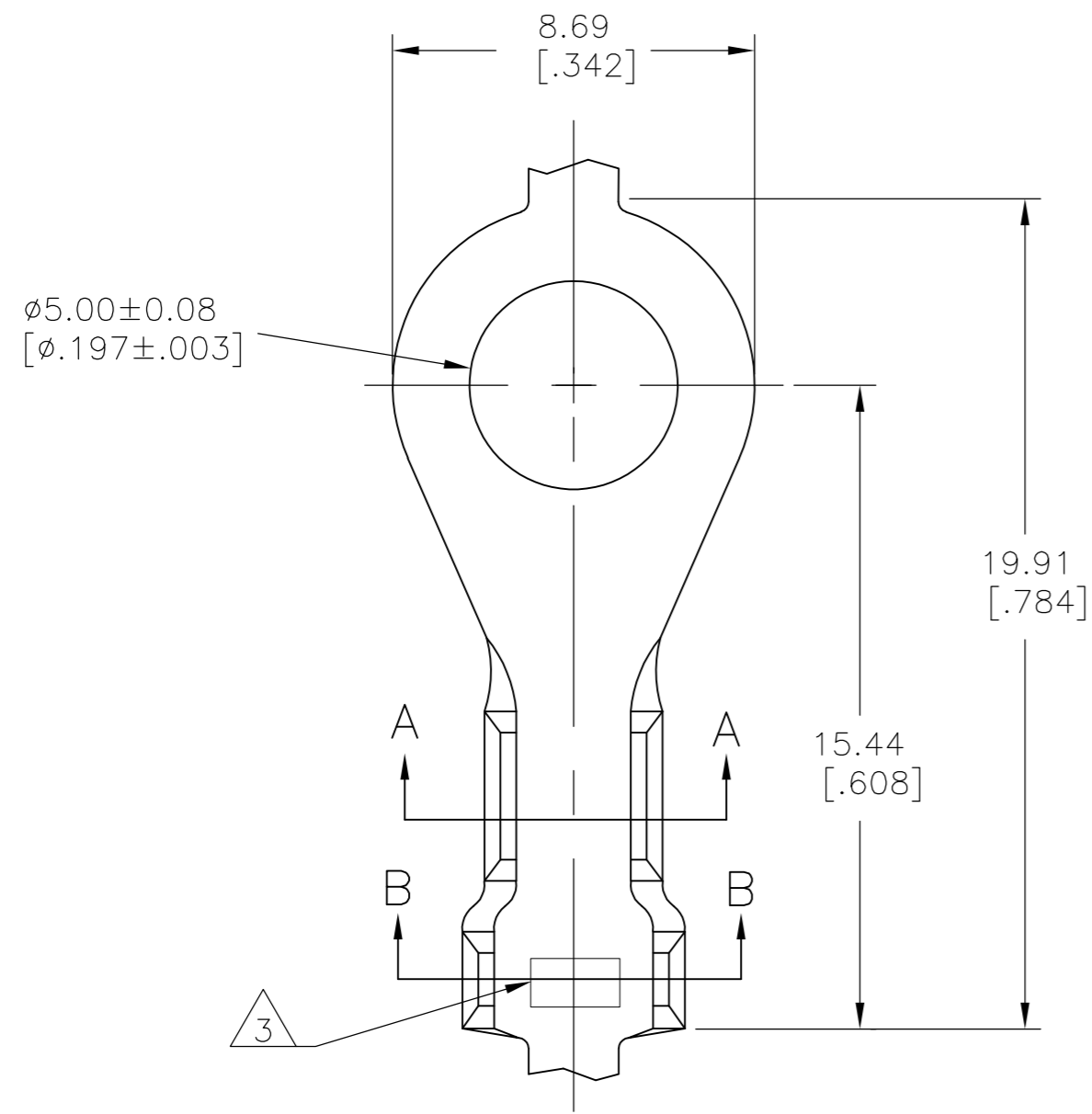
Email & Skype: info@chipsmall.com Web: www.chipsmall.com

Address: A1208, Overseas Decoration Building, #122 Zhenhua RD., Futian, Shenzhen, China

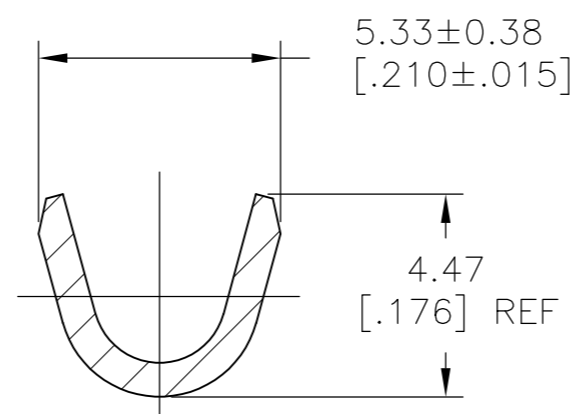


THIS DRAWING IS UNPUBLISHED. RELEASED FOR PUBLICATION  
 © COPYRIGHT - By - ALL RIGHTS RESERVED.

LOC	DIST	REVISIONS			
P	LTR	DESCRIPTION	DATE	DWN	APVD
AF	50	AF3	REVISED PER ECO-11-004820	11MAR11	RK HMR



SECTION A-A



SECTION B-B

- 1 CONTINUOUS STRIP ON REELS.
- 2 TIN PLATING.
- 3 AMP STAMP: AMP FOR 40725, -2, & -3  
AMP\* FOR 40725-1.
- 4 SPECIAL PACKAGING.
- 5 FOR PROCESSING ONLY.

OBSOLETE	0.8-2.0mm <sup>2</sup> [18-14] AWG	2.54-3.56 [.100-.140] DIA	2	082 BRASS	40725-4
			2	082 BRASS	40725-3
			-	082 BRASS	40725-2
			2	H03 PHOSPHOR BRONZE	40725-1
			2	082 BRASS	40725
WIRE RANGE	INSULATION RANGE	FINISH	MATERIAL	PART NUMBER	
THIS DRAWING IS A CONTROLLED DOCUMENT.			DWN 02JAN2001 MICHAEL S. FEHER	TE Connectivity	
			CHK 23JAN2001 DONDAL DECKER		
DIMENSIONS: mm [INCHES]			APVD 23JAN2001 DONDAL DECKER	NAME	
TOLERANCES UNLESS OTHERWISE SPECIFIED:			PRODUCT SPEC	NOS 10 STUD, TERMINAL, TONGUE, RING	
0 PLC ± - 1 PLC ± - 2 PLC ± 0.25[.010] 3 PLC ± - 4 PLC ± - ANGLES ± 1°			APPLICATION SPEC	RESTRICTED TO	
MATERIAL	FINISH	WEIGHT	SIZE	CAGE CODE	DRAWING NO
SEE TABLE	SEE TABLE	-	A2	00779	C=40725
CUSTOMER DRAWING			SCALE	SHEET	REV
			6:1	1 of 1	AF3