



Chipsmall Limited consists of a professional team with an average of over 10 year of expertise in the distribution of electronic components. Based in Hongkong, we have already established firm and mutual-benefit business relationships with customers from,Europe,America and south Asia,supplying obsolete and hard-to-find components to meet their specific needs.

With the principle of “Quality Parts,Customers Priority,Honest Operation,and Considerate Service”,our business mainly focus on the distribution of electronic components. Line cards we deal with include Microchip,ALPS,ROHM,Xilinx,Pulse,ON,Everlight and Freescale. Main products comprise IC,Modules,Potentiometer,IC Socket,Relay,Connector.Our parts cover such applications as commercial,industrial, and automotives areas.

We are looking forward to setting up business relationship with you and hope to provide you with the best service and solution. Let us make a better world for our industry!



Contact us

Tel: +86-755-8981 8866 Fax: +86-755-8427 6832

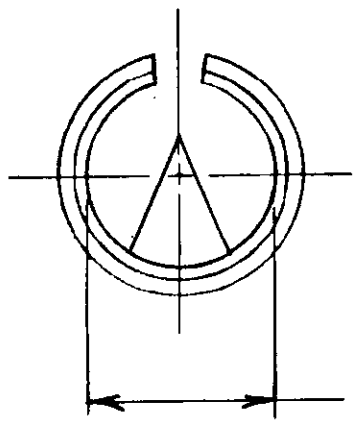
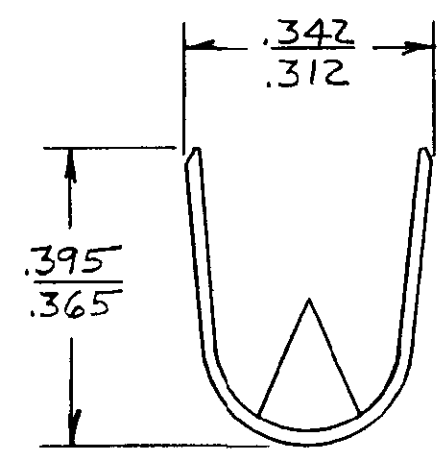
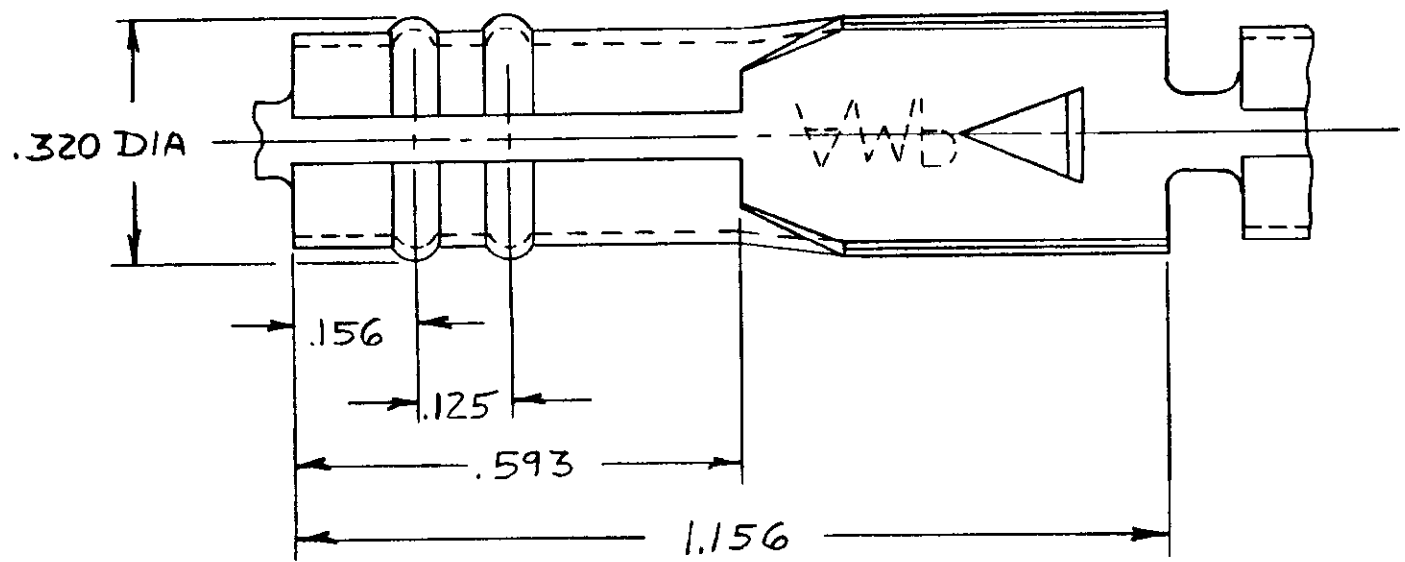
Email & Skype: info@chipsmall.com Web: www.chipsmall.com

Address: A1208, Overseas Decoration Building, #122 Zhenhua RD., Futian, Shenzhen, China

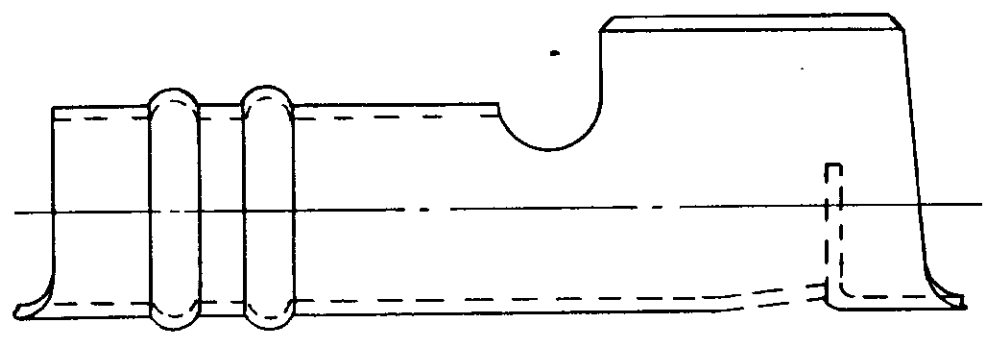


© COPYRIGHT 1953 BY AMP INCORPORATED, HARRISBURG, PA.
 ALL INTERNATIONAL RIGHTS RESERVED. AMP INCORPORATED PRODUCTS
 COVERED BY U. S. AND FOREIGN PATENTS AND/OR PATENTS PENDING.

REVISIONS						
P	F	ZONE	LTR	DESCRIPTION	DATE	APPROVED
✓	✓		E	REDRAWN M-5103	11/20/78	DAS/ΔH.
✓			E1	RESTORATION	4/9/85	ESB/AS
			F	REV PER 0710-0427-95	20/SEP/95	PMF



ACCEPTS .250 DIA
 SPARK PLUG



UNLESS OTHERWISE SPECIFIED DIMENSIONS ARE IN INCHES. TOLERANCES ON: DECIMALS ±.015 ANGLES ± 1°		CONTRACT NO		PART NO	
MATERIAL .018 STEEL		DR D.A. SALTZER 11-26-78		AMP INCORPORATED Harrisburg, Pa.	
FINISH NICKEL		CHK <i>E. J. ...</i> 10/21/75		NAME RECEPTACLE, SPARK PLUG	
		APPD <i>E. J. ...</i> 10/21/75		SIZE B	
		DSGN APPD		CODE IDENT NO 00779	
		OTHER APPD		DRAWING NO 40800	
				SCALE 4:1	
				SHEET	