



Chipsmall Limited consists of a professional team with an average of over 10 year of expertise in the distribution of electronic components. Based in Hongkong, we have already established firm and mutual-benefit business relationships with customers from,Europe,America and south Asia,supplying obsolete and hard-to-find components to meet their specific needs.

With the principle of “Quality Parts,Customers Priority,Honest Operation,and Considerate Service”,our business mainly focus on the distribution of electronic components. Line cards we deal with include Microchip,ALPS,ROHM,Xilinx,Pulse,ON,Everlight and Freescale. Main products comprise IC,Modules,Potentiometer,IC Socket,Relay,Connector.Our parts cover such applications as commercial,industrial, and automotives areas.

We are looking forward to setting up business relationship with you and hope to provide you with the best service and solution. Let us make a better world for our industry!



## Contact us

Tel: +86-755-8981 8866 Fax: +86-755-8427 6832

Email & Skype: info@chipsmall.com Web: www.chipsmall.com

Address: A1208, Overseas Decoration Building, #122 Zhenhua RD., Futian, Shenzhen, China

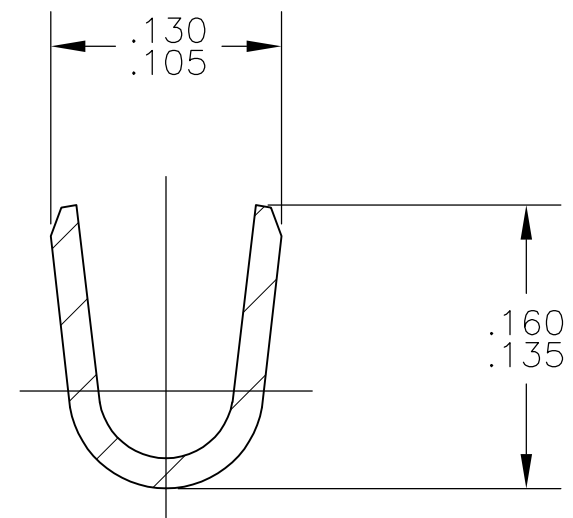
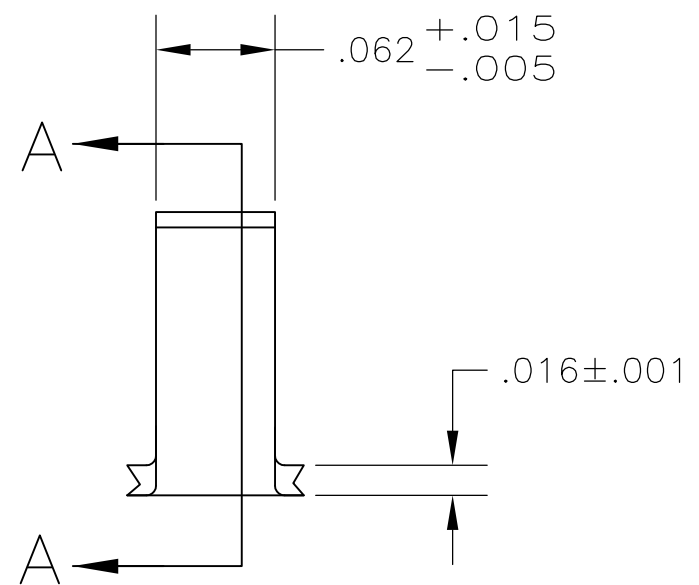
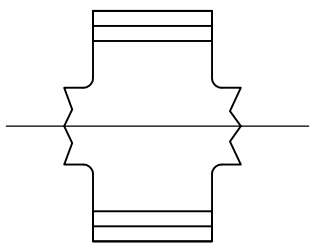


THIS DRAWING IS UNPUBLISHED. RELEASED FOR PUBLICATION  
 © COPYRIGHT BY TYCO ELECTRONICS CORPORATION. ALL RIGHTS RESERVED.

LOC	DIST	REVISIONS					
AF	50	P	LTR	DESCRIPTION	DATE	DWN	APVD
		P		REVISED PER ECR-08-030838	30MAR09	HMR	GP

- SUPPLIED 50,000 PIECES PER REEL.
- WIRE RANGE IS 1400-3600 CMA  
 CRIMP WIDTH: .090, F TYPE  
 CRIMP HEIGHT:  $\pm .002 = (\text{TOTAL CMA} + 7600) / 145,100$   
 FOR APPLICATOR INFORMATION CALL: 1-800-722-1111  
 FOR PRODUCT INFORMATION CALL: 1-800-522-6752

**3** FOREIGN PRODUCTION ONLY.



SECTION A-A

<b>3</b>	.000150 MIN NICKEL PLATE	TEMP 3 STEEL	40862-3
<b>3</b>	OBSOLETE	TEMP 3 STEEL	40862-2
<b>3</b>	OBSOLETE	TEMP 3 STEEL	40862-1
	TIN	081 BRASS	40862
	FINISH	MATERIAL	PART NUMBER

THIS DRAWING IS A CONTROLLED DOCUMENT.		DWN MICHAEL S. FEHER 29SEP2003	Tyco Electronics Corporation Harrisburg, PA 17105-3608	
DIMENSIONS: INCHES		CHK GARY D. PORTA 29SEP2003	NAME GARY D. PORTA	
TOLERANCES UNLESS OTHERWISE SPECIFIED:		APVD GARY D. PORTA 29SEP2003	PRODUCT SPEC	
0 PLC ± - 1 PLC ± - 2 PLC ± .010 3 PLC ± - 4 PLC ± - ANGLES ± 1°		APPLICATION SPEC 114-2088	SIZE A3	CAGE CODE 00779
MATERIAL SEE TABLE	FINISH SEE TABLE	WEIGHT -	DRAWING NO C-40862	RESTRICTED TO -
CUSTOMER DRAWING			SCALE 10:1	SHEET 1 OF 1
			REV P	