



Chipsmall Limited consists of a professional team with an average of over 10 year of expertise in the distribution of electronic components. Based in Hongkong, we have already established firm and mutual-benefit business relationships with customers from,Europe,America and south Asia,supplying obsolete and hard-to-find components to meet their specific needs.

With the principle of “Quality Parts,Customers Priority,Honest Operation,and Considerate Service”,our business mainly focus on the distribution of electronic components. Line cards we deal with include Microchip,ALPS,ROHM,Xilinx,Pulse,ON,Everlight and Freescale. Main products comprise IC,Modules,Potentiometer,IC Socket,Relay,Connector.Our parts cover such applications as commercial,industrial, and automotives areas.

We are looking forward to setting up business relationship with you and hope to provide you with the best service and solution. Let us make a better world for our industry!



Contact us

Tel: +86-755-8981 8866 Fax: +86-755-8427 6832

Email & Skype: info@chipsmall.com Web: www.chipsmall.com

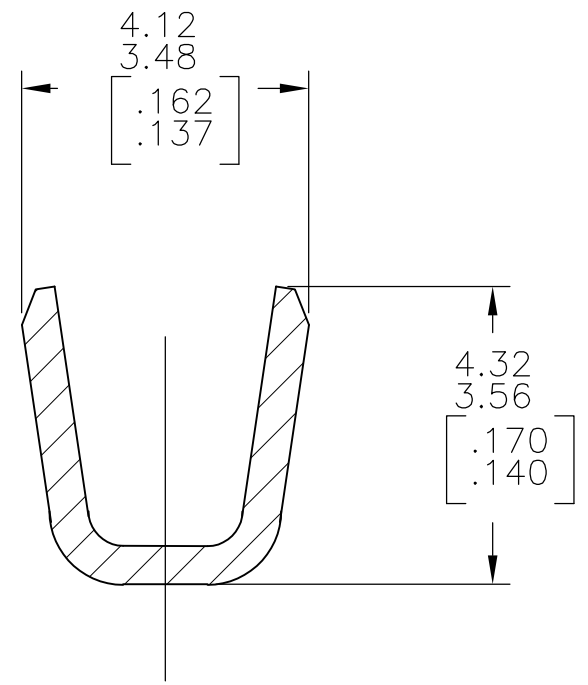
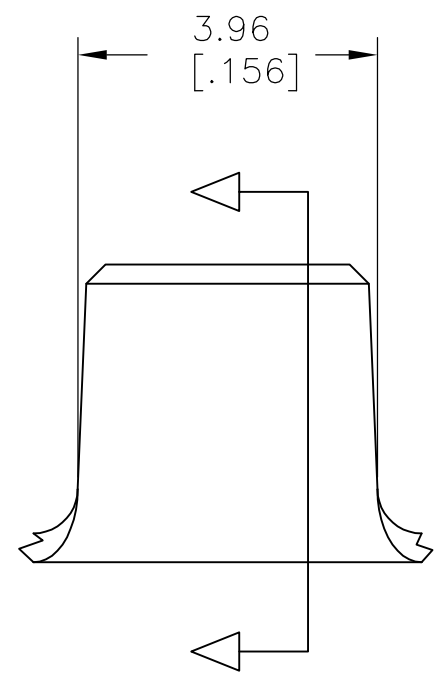
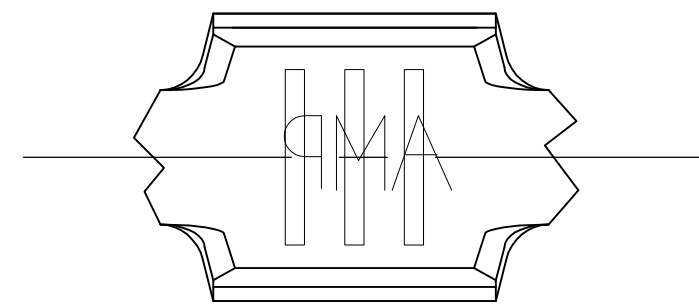
Address: A1208, Overseas Decoration Building, #122 Zhenhua RD., Futian, Shenzhen, China



THIS DRAWING IS UNPUBLISHED. RELEASED FOR PUBLICATION
 © COPYRIGHT BY TYCO ELECTRONICS CORPORATION. ALL INTERNATIONAL RIGHTS RESERVED.

LOC	DIST	REVISIONS			
P	LTR	DESCRIPTION	DATE	DWN	APVD
AF	50				
	C1	REVISED PER ECR-11-001036	21JAN11	HMR	GJ

- 1 PRODUCT PROVIDED IN STRIP FORM ON REELS, BREAKS MAY BE PRESENT.
- 2 WIRE RANGE FOR NEW APPLICATIONS : 1.27–2.38mm² [2500–4700 CMA](WIRE RANGE APPROVED FOR APPLICATIONS IMPLEMENTED PRIOR TO 2005: 2000–5300 CMA).
- 3 CRIMP WIDTH: 3.05[.120] F TYPE.
 CRIMP HEIGHT IN INCHES (±.002)=(TOTAL CMA OF WIRES +12240)/220000.



40868
 PART NUMBER

THIS DRAWING IS A CONTROLLED DOCUMENT.		DWN M.S. FEHER 18OCT2004	Tyco Electronics Corporation Harrisburg, PA 17105-3608		
DIMENSIONS: mm [INCHES]	TOLERANCES UNLESS OTHERWISE SPECIFIED:	CHK G.D. PORTA 18OCT2004	NAME		
	0 PLC ± -	APVD G.D. PORTA 18OCT2004	SPLICE		
	1 PLC ± -	PRODUCT SPEC	-		
	2 PLC ± 0.25[.010]	APPLICATION SPEC	114-2088	SIZE	CAGE CODE
	3 PLC ± -		114-2088	A3	00779
	4 PLC ± -			DRAWING NO	C-40868
	ANGLES ± 1° 0'			RESTRICTED TO	-
MATERIAL BRASS	FINISH TIN	WEIGHT -	CUSTOMER DRAWING		
			SCALE	SHEET	REV
			10:1	1 OF 1	C1