



Chipsmall Limited consists of a professional team with an average of over 10 year of expertise in the distribution of electronic components. Based in Hongkong, we have already established firm and mutual-benefit business relationships with customers from,Europe,America and south Asia,supplying obsolete and hard-to-find components to meet their specific needs.

With the principle of “Quality Parts,Customers Priority,Honest Operation,and Considerate Service”,our business mainly focus on the distribution of electronic components. Line cards we deal with include Microchip,ALPS,ROHM,Xilinx,Pulse,ON,Everlight and Freescale. Main products comprise IC,Modules,Potentiometer,IC Socket,Relay,Connector.Our parts cover such applications as commercial,industrial, and automotives areas.

We are looking forward to setting up business relationship with you and hope to provide you with the best service and solution. Let us make a better world for our industry!



Contact us

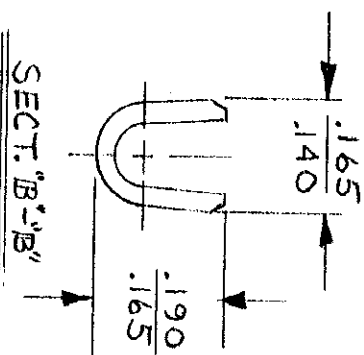
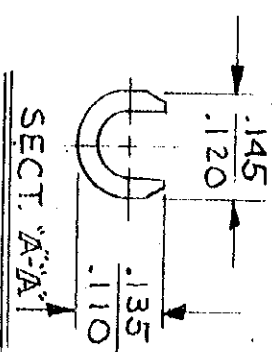
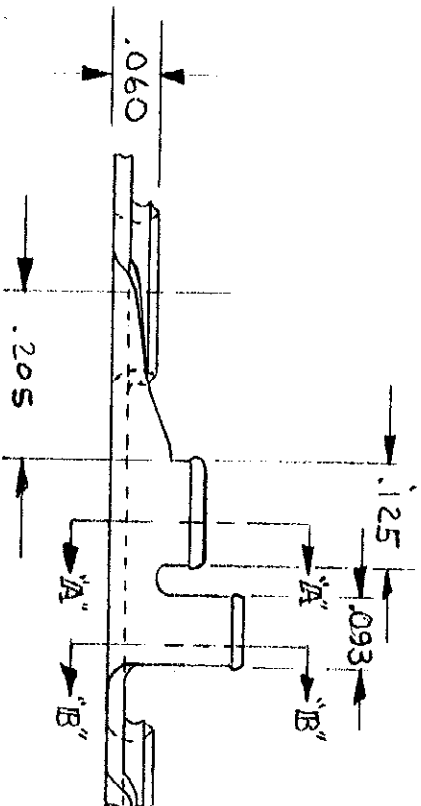
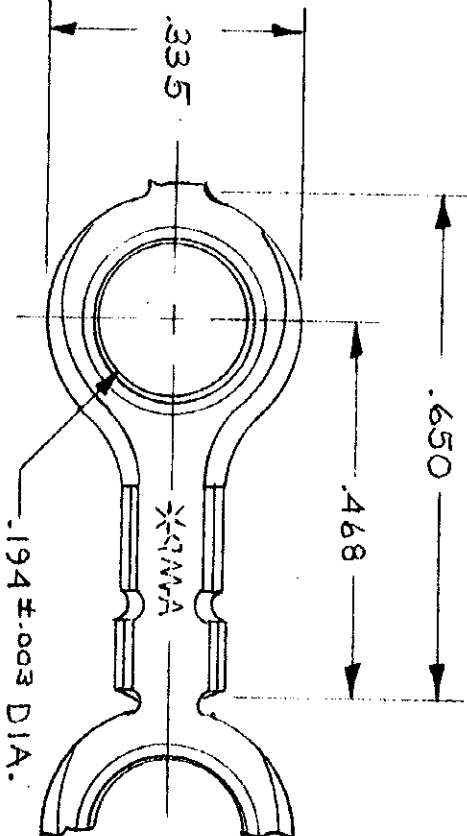
Tel: +86-755-8981 8866 Fax: +86-755-8427 6832

Email & Skype: info@chipsmall.com Web: www.chipsmall.com

Address: A1208, Overseas Decoration Building, #122 Zhenhua RD., Futian, Shenzhen, China



NUMBER
40894



CONTINUOUS STRIP ON REELS

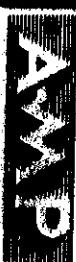
TERMINAL NUMBER	MATERIAL	FINISH	FOREIGN PROD ONLY
40894	020 BRASS	TIN	FOREIGN PROD ONLY
40894-1	020 BRASS	PRE-TIN	FOREIGN PROD ONLY

DIMENSIONS IN INCHES. DO NOT SCALE PRINT.

REV	DATE	BY	CHK	DATE	
D	REV	AF-4774	TMS	6Y	5/16/69
C	CHG, 40894-1 ECU #F2261	L.O	6Y	3/26/69	
B	ADDED -1 ECU #F2261	SS	6Y	3/26/69	
A	205 WAS 218	SS	6Y	5/5/69	
	SEPARATED FROM 40893	WB	RF	7/28/69	
	REVISION RECORD	WB	RF	7/28/69	
	DR	W.BANKS	RF	7-27-69	
	CHK	RF	FRANK	7-28-69	

©1969 BY AMP INCORPORATED. ALL RIGHTS RESERVED. AMP PRODUCTS COVERED BY PATENTS AND/OR PATENTS PENDING. MATERIAL AND FINISH

SEE TABLE



AMP INCORPORATED
MILWAUKEE, WIS.

CUSTOMER COPY
REFERENCE ONLY

WIRE RANGE - INSULATION
#20 - #18 1075/.110
TOLERANCE EXCEPT AS NOTED ± .015

CLASS	TYPE	LOC	NO	REV
		A	40894	D

RING - EXTRUDED