



Chipsmall Limited consists of a professional team with an average of over 10 year of expertise in the distribution of electronic components. Based in Hongkong, we have already established firm and mutual-benefit business relationships with customers from,Europe,America and south Asia,supplying obsolete and hard-to-find components to meet their specific needs.

With the principle of “Quality Parts,Customers Priority,Honest Operation,and Considerate Service”,our business mainly focus on the distribution of electronic components. Line cards we deal with include Microchip,ALPS,ROHM,Xilinx,Pulse,ON,Everlight and Freescale. Main products comprise IC,Modules,Potentiometer,IC Socket,Relay,Connector.Our parts cover such applications as commercial,industrial, and automotives areas.

We are looking forward to setting up business relationship with you and hope to provide you with the best service and solution. Let us make a better world for our industry!



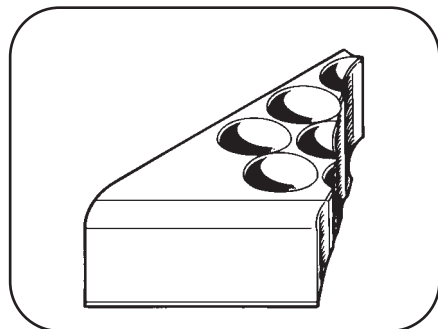
## Contact us

Tel: +86-755-8981 8866 Fax: +86-755-8427 6832

Email & Skype: info@chipsmall.com Web: www.chipsmall.com

Address: A1208, Overseas Decoration Building, #122 Zhenhua RD., Futian, Shenzhen, China





**Black**

### Electrical Properties:

Property	Test Method	Value
RTT Resistance:	ESD-S7.1	10E4 - 10E5 Ohms
RTG Resistance:	ESD-S7.1	10E4 - 10E5 Ohms

Electrical Properties obtained by testing to industrial standards by an independent testing laboratory @ 10 Volts and 50% relative humidity unless otherwise specified. Complete text of the test report is available upon request.

**Disclaimer:**

All statements, technical data, and recommendations contained herein are based upon tests we believe to be reliable. However, the accuracy or completeness thereof is not guaranteed. The proper and correct applications of products and data is the responsibility of the user. Statements or recommendations not contained herein shall have no force or effect unless embodied in a written agreement signed by authorized offers of Desco Industries, Inc.

### Specifications:

Thickness:	0.50" (12.7mm)
Color:*	Black
Texture:*	Bubble cells



\*Color and texture may vary between lots and mills

**Grounding:** This material must be properly grounded for optimum electrical performance. Ask for Technical Bulletin TB-2000 for mat grounding instructions.

**Cleaning:** For optimum electrical performance, surface must be cleaned regularly using an ESD mat cleaner. Desco suggests using our Reztore™ Surface & Mat Cleaner Item #10435 or Static-Wipes Item #10600. Do not use cleaners with silicone. Silicone buildup will create an insulative film on the surface.

### Description:

This material is designed primarily to be used as a floor runner or to protect an entire room. The unique anti-fatigue dome/support cells provide extra comfort and prevent the mat from shifting on the floor. Its interlocking strip can be easily trimmed to give clean beveled edges. Statfree i™ will not trap moisture underneath. Its patented structure allows air to circulate under mat to eliminate mold or mildew problems. It will not delaminate. The Statfree i™ Floor Mat is made of 100% premium nitrile butadiene homogenous rubber material. It is heat, abrasion, and chemical resistant.

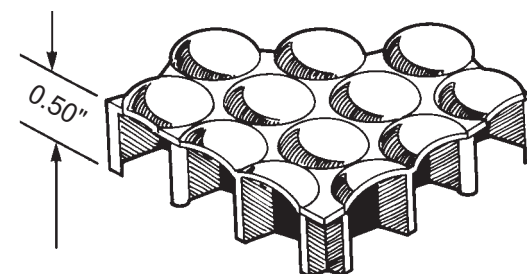
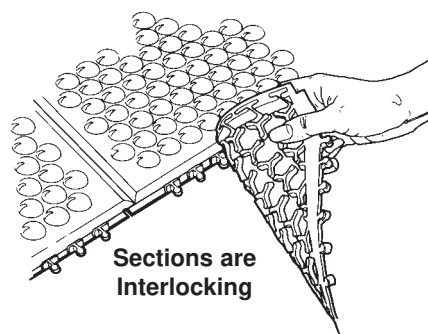
Statfree i™ Exceeds ANSI/ESD S20.20 required limits of <1 x 10E9 ohms for ESD flooring and suitable for flooring component in Flooring - Footwear System as primary grounding method (<3.5 x 10E7ohms per ANSI/ESD STM97.1).

Per section 3 Definitions of Floor standard ANSI/ESD STM97.1 "Conductive Flooring Material: A floor material that has a resistance to ground of less than 10E6 ohms."

*Statfree i™ is a manufactured rubber article and is excluded from the requirements of M.S.D.S. as defined by OSHA 29 CFR Ch. XVII §1910.1200.*

**RoHS Compliance Statement**

None of the following materials are intentionally added in manufacturing this product: lead, mercury, cadmium, hexavalent chromium, polybrominated biphenyls (PBB) or polybrominated diphenyl ethers (PBDE) as outlined in the Directive 2002/95/EC Article 4.1. See Desco Industries Inc. letter on-line at [Desco.com](http://Desco.com).



**0.50" (12.7mm) Thick Sections**



Made in America

Item No.	Description
<b>40930</b>	24" x 36" (0.6m x 0.9m) Section
<b>40931</b>	36" x 48" (0.9m x 1.2m) Section

**Tolerances:**

Width ± .250"  
Length ± .250" every 1 linear foot of running material.

**Limited Lifetime and 8 Year Ergonomic Warranty**

Desco warrants for one year that Statfree® matting products will be free of defects in materials and workmanship and will guarantee dissipative/conductive mat properties for the life of the mat and ergonomic properties for eight years. Damage to matting caused by misuse of any kind, including using inappropriate cleaners is not covered by Desco Limited Warranty.

**Statfree i™ Interlocking Room System, Conductive, Ergonomic, 0.50" (12.7mm)**

**DESCO**

DESCO WEST: 3651 WALNUT AVE., CHINO, CA 91710 WEB SITE: Desco.com  
PHONE (909) 627-8178 FAX (909) 627-7449  
DESCO EAST: ONE COLGATE WAY, CANTON, MA 02021-1407  
PHONE (781) 821-8370 FAX (781) 575-0172

MATERIAL  
STATFREE i™  
DRAWING PM-107

DATE:  
December  
2008