



Chipsmall Limited consists of a professional team with an average of over 10 year of expertise in the distribution of electronic components. Based in Hongkong, we have already established firm and mutual-benefit business relationships with customers from,Europe,America and south Asia,supplying obsolete and hard-to-find components to meet their specific needs.

With the principle of “Quality Parts,Customers Priority,Honest Operation,and Considerate Service”,our business mainly focus on the distribution of electronic components. Line cards we deal with include Microchip,ALPS,ROHM,Xilinx,Pulse,ON,Everlight and Freescale. Main products comprise IC,Modules,Potentiometer,IC Socket,Relay,Connector.Our parts cover such applications as commercial,industrial, and automotives areas.

We are looking forward to setting up business relationship with you and hope to provide you with the best service and solution. Let us make a better world for our industry!



## Contact us

Tel: +86-755-8981 8866 Fax: +86-755-8427 6832

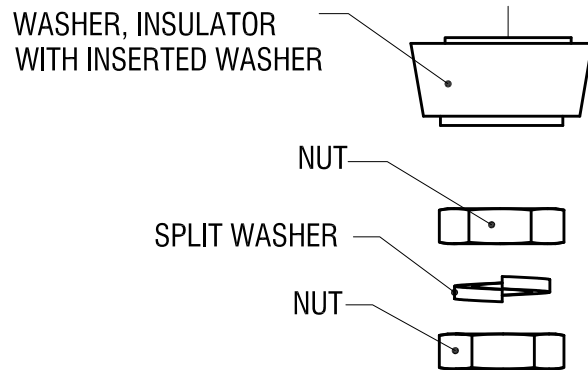
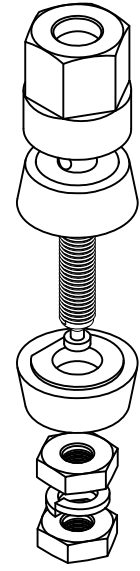
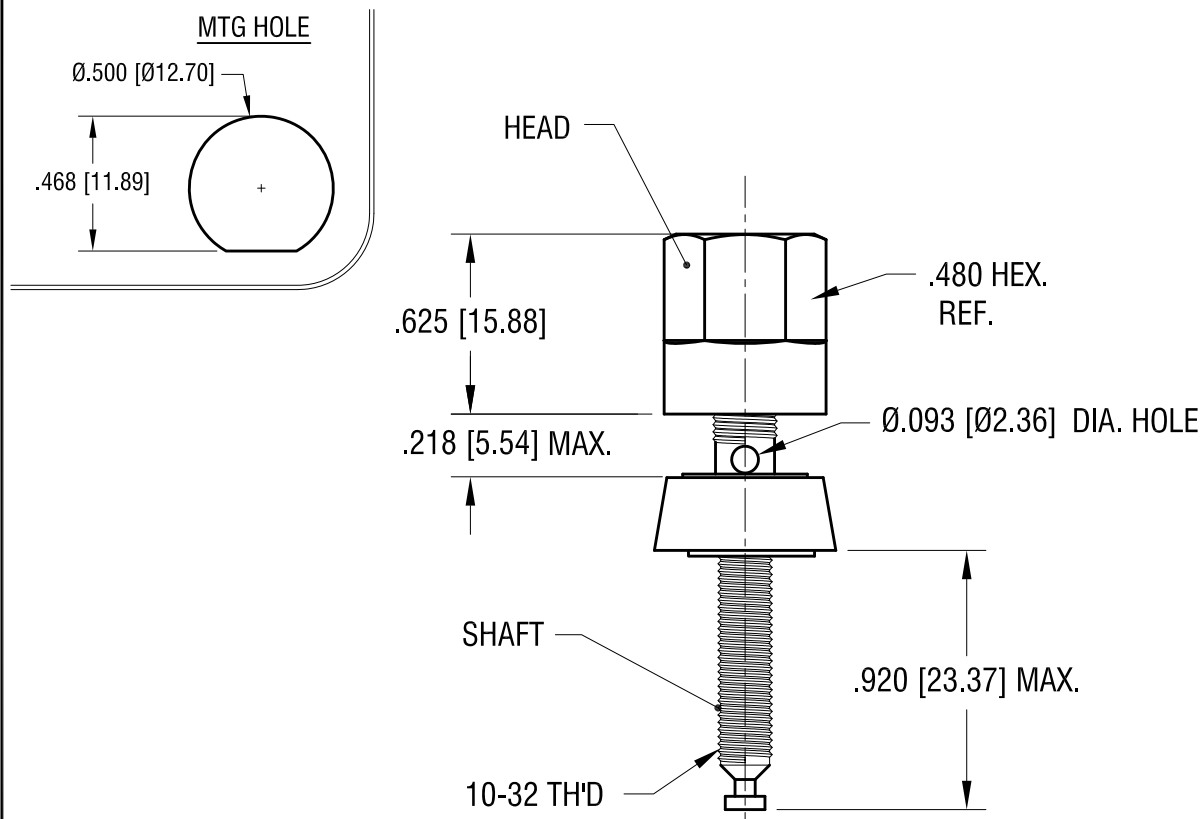
Email & Skype: info@chipsmall.com Web: www.chipsmall.com

Address: A1208, Overseas Decoration Building, #122 Zhenhua RD., Futian, Shenzhen, China



THIS DOCUMENT IS THE PROPERTY OF KEYSTONE ELECTRONICS CORP. AND SHALL NOT BE REPRODUCED, DISTRIBUTED OR USED AS A BASIS FOR MANUFACTURE WITHOUT PRIOR WRITTEN PERMISSION FROM KEYSTONE ELECTRONICS CORP.

ACTUAL SIZE



HEAD	NYLON	-
WASHER, INSULATOR	NYLON	-
SPLIT WASHER	BRASS	NICKEL PL.
NUT	BRASS	NICKEL PL.
SHAFT 10-32 TH'D	BRASS	NICKEL PL.
DESCRIPTION	MAT'L	FINISH

P/N	TH'D	COLOR
4093	10-32	RED
4094	10-32	BLACK

DATE	DESCRIPTION	REV.
11.11.09	CHANGE AS PER ECN 09-166	B
2.17.06	CHANGE AS PER ECN 06-013	A

**KEYSTONE ELECTRONICS CORP.**  
 www.keyelco.com • ASTORIA, N.Y. 11105-2017 • Tel (718) 956-8900

PART NAME: STANDARD 'HEX' BINDING POST

MATERIAL: AS NOTED

FINISH: AS NOTED

DRN BY: BOONE DATE: 11.17.93  
 APP'D: LN SCALE: X

TOLERANCES INCH [MM]  
 DECIMAL ± .005 [± 0.13]  
 ANGULAR ± 1°  
 UNLESS OTHERWISE SPECIFIED

CODE: C DWG NO.: 4093-4094