



Chipsmall Limited consists of a professional team with an average of over 10 year of expertise in the distribution of electronic components. Based in Hongkong, we have already established firm and mutual-benefit business relationships with customers from,Europe,America and south Asia,supplying obsolete and hard-to-find components to meet their specific needs.

With the principle of “Quality Parts,Customers Priority,Honest Operation,and Considerate Service”,our business mainly focus on the distribution of electronic components. Line cards we deal with include Microchip,ALPS,ROHM,Xilinx,Pulse,ON,Everlight and Freescale. Main products comprise IC,Modules,Potentiometer,IC Socket,Relay,Connector.Our parts cover such applications as commercial,industrial, and automotives areas.

We are looking forward to setting up business relationship with you and hope to provide you with the best service and solution. Let us make a better world for our industry!



Contact us

Tel: +86-755-8981 8866 Fax: +86-755-8427 6832

Email & Skype: info@chipsmall.com Web: www.chipsmall.com

Address: A1208, Overseas Decoration Building, #122 Zhenhua RD., Futian, Shenzhen, China

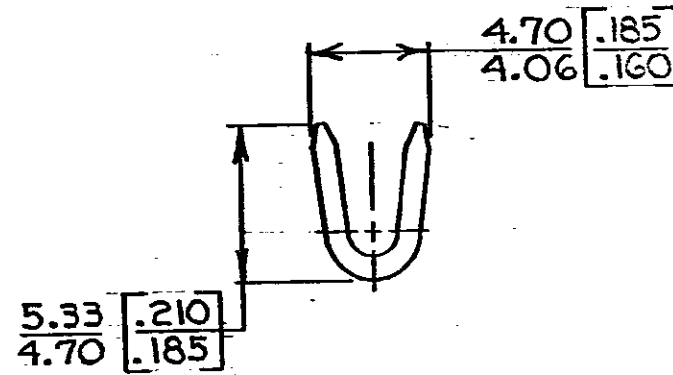
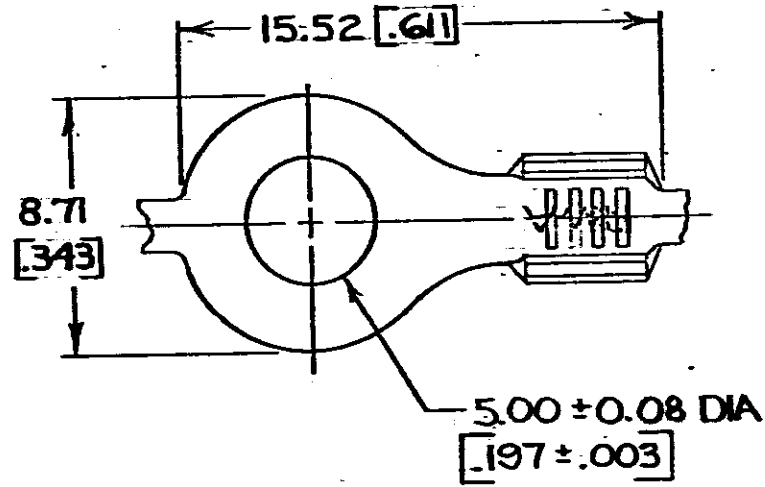


DRAWING MADE IN THIRD ANGLE PROJECTION

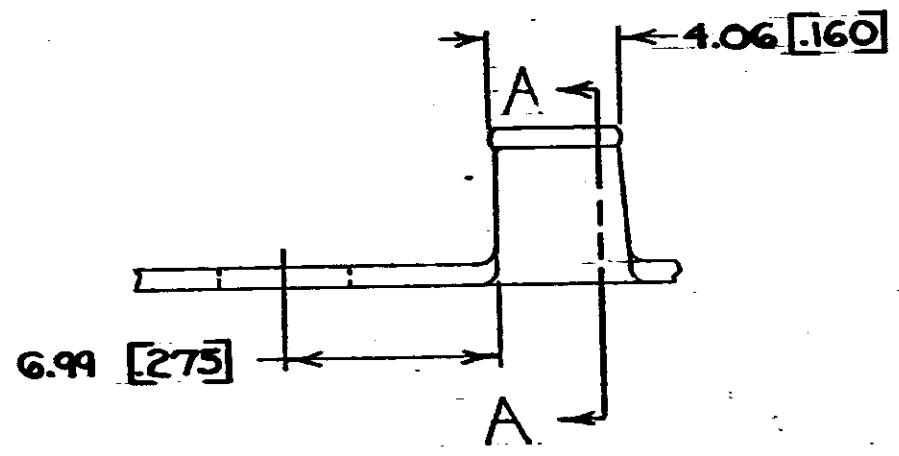
© COPYRIGHT 1965 BY AMP INCORPORATED, HARRISBURG, PA.
 ALL INTERNATIONAL RIGHTS RESERVED. AMP INCORPORATED PRODUCTS
 COVERED BY U. S. AND FOREIGN PATENTS AND/OR PATENTS PENDING.

1 LOC AF DIST 50

REVISIONS					
P/F	ZONE	LTR	DESCRIPTION	DATE	APPROVED
✓		S	REDRAWN & REVISED A-3943	4/26/78	CEP
✓		T	REV PER AF-6785	7/2/80	PMF 64



SECT A-A



1. CONTINUOUS STRIP, ON REELS.
 2. DIMENSIONS IN BRACKETS ARE IN INCHES.

METRIC

#10	Q8-2.0mm ² [18-14]	TIN	0.76 [.030] BRASS	40977
STUD SIZE	WIRE SIZE	FINISH	MATERIAL	PART NO
UNLESS OTHERWISE SPECIFIED DIMENSIONS ARE IN mm TOLERANCES ON: DECIMALS ±0.30[0.05] ANGLES 1°		CONTRACT NO 4-76-78		
MATERIAL SEE TABLE		DR CHK APPD R.P. Frantz 8-1-78 APPD G. Zick 8-1-78		
FINISH SEE TABLE		NAME RING		
OTHER APPD		SIZE B	CODE IDENT NO 00779	DRAWING NO 40977
SCALE		SHEET		

CUSTOMER DRAWING