



Chipsmall Limited consists of a professional team with an average of over 10 year of expertise in the distribution of electronic components. Based in Hongkong, we have already established firm and mutual-benefit business relationships with customers from,Europe,America and south Asia,supplying obsolete and hard-to-find components to meet their specific needs.

With the principle of “Quality Parts,Customers Priority,Honest Operation,and Considerate Service”,our business mainly focus on the distribution of electronic components. Line cards we deal with include Microchip,ALPS,ROHM,Xilinx,Pulse,ON,Everlight and Freescale. Main products comprise IC,Modules,Potentiometer,IC Socket,Relay,Connector.Our parts cover such applications as commercial,industrial, and automotives areas.

We are looking forward to setting up business relationship with you and hope to provide you with the best service and solution. Let us make a better world for our industry!



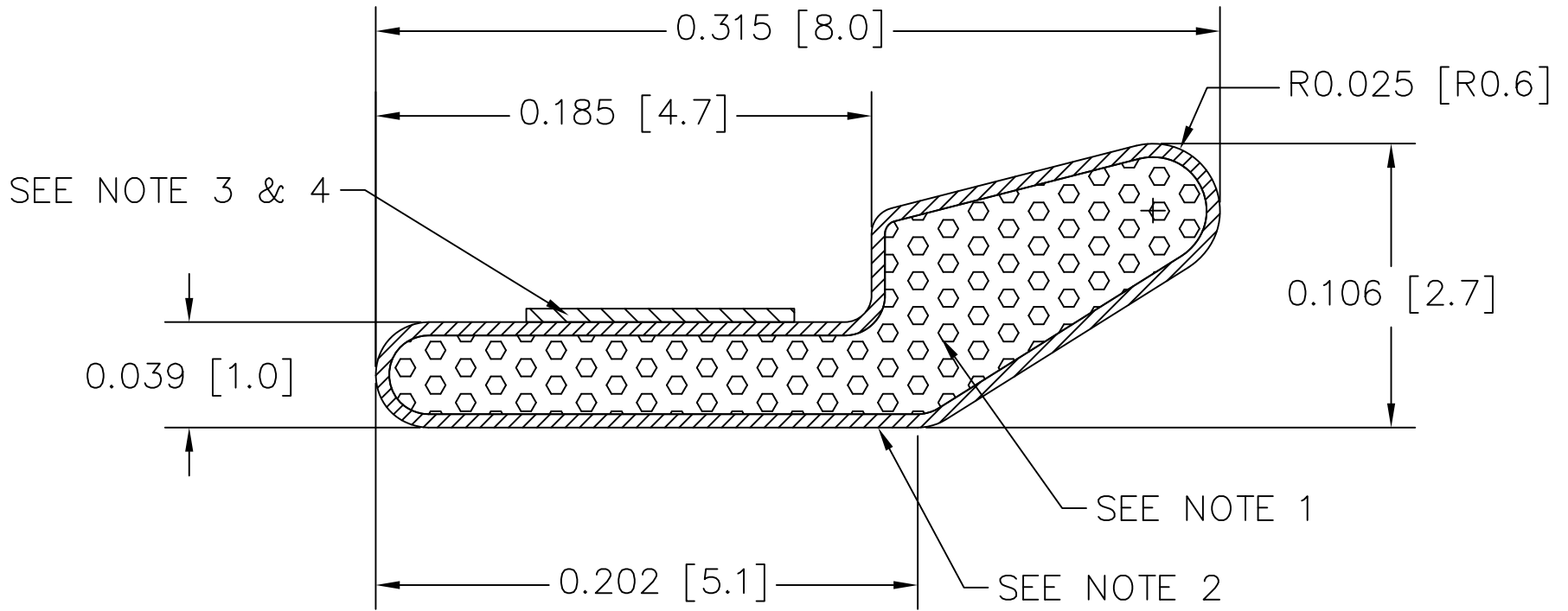
Contact us

Tel: +86-755-8981 8866 Fax: +86-755-8427 6832

Email & Skype: info@chipsmall.com Web: www.chipsmall.com

Address: A1208, Overseas Decoration Building, #122 Zhenhua RD., Futian, Shenzhen, China





NOTES:

1. FOAM: POLYURETHANE
2. FABRIC: NICKEL NRS FR EcoGreen
3. TAPE: .100" TAPE HI-TEMP
4. LINER: NO EXTENDED RELEASE LINER
5. FABRIC SEAM LOCATION MAY VARY.
6. CARRIER: NO CARRIER
7. THIS PART IS RoHS COMPLIANT AND MEETS THE REQUIREMENTS OF LT-GES-001

REVISIONS:

TITLE: SHIELDING GASKET	
Dwg. or Part No. 4097-PA-51G	REV. 0

DRAWN GIBILTERRA	DATE 3/11/13	SCALE: 1/1
CHECKED BY: FJG	DATE 3/11/13	
RELEASED BY: FJG	DATE 3/11/13	

DIMENSIONS ARE IN INCHES. UNLESS OTHERWISE SPECIFIED, TOLERANCES ARE AS FOLLOWS:		
DECIMALS	LENGTH	
.XX ± .03	0" - 6"	± .030"
.XXX ± .020	6" - 11"	± .050"
	11" - 48"	± .100"
ANGLES	48° - 70°	± .187°
	70° - 144°	± .250°

