



Chipsmall Limited consists of a professional team with an average of over 10 year of expertise in the distribution of electronic components. Based in Hongkong, we have already established firm and mutual-benefit business relationships with customers from,Europe,America and south Asia,supplying obsolete and hard-to-find components to meet their specific needs.

With the principle of “Quality Parts,Customers Priority,Honest Operation,and Considerate Service”,our business mainly focus on the distribution of electronic components. Line cards we deal with include Microchip,ALPS,ROHM,Xilinx,Pulse,ON,Everlight and Freescale. Main products comprise IC,Modules,Potentiometer,IC Socket,Relay,Connector.Our parts cover such applications as commercial,industrial, and automotives areas.

We are looking forward to setting up business relationship with you and hope to provide you with the best service and solution. Let us make a better world for our industry!



Contact us

Tel: +86-755-8981 8866 Fax: +86-755-8427 6832

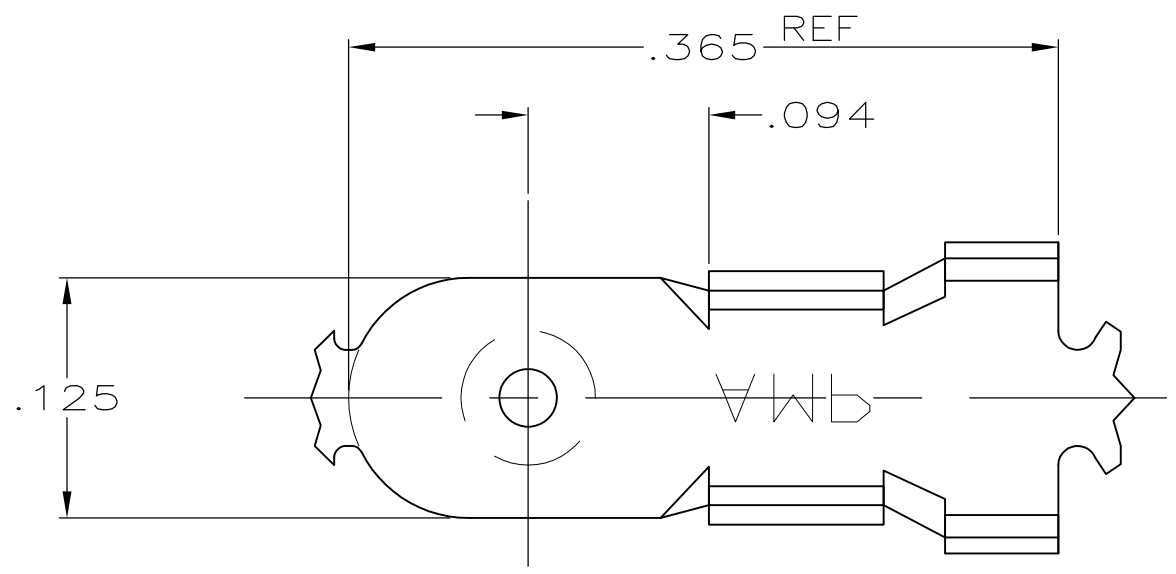
Email & Skype: info@chipsmall.com Web: www.chipsmall.com

Address: A1208, Overseas Decoration Building, #122 Zhenhua RD., Futian, Shenzhen, China

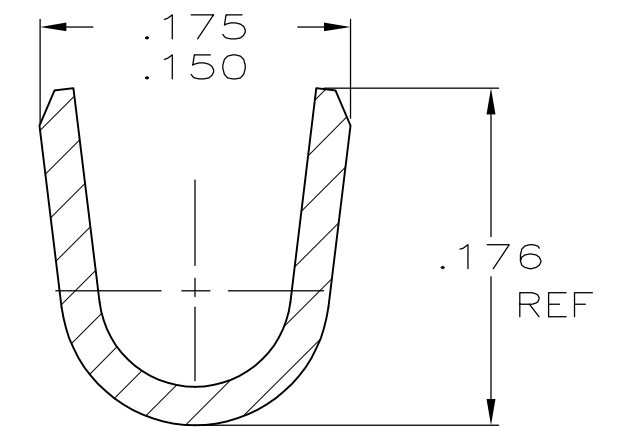
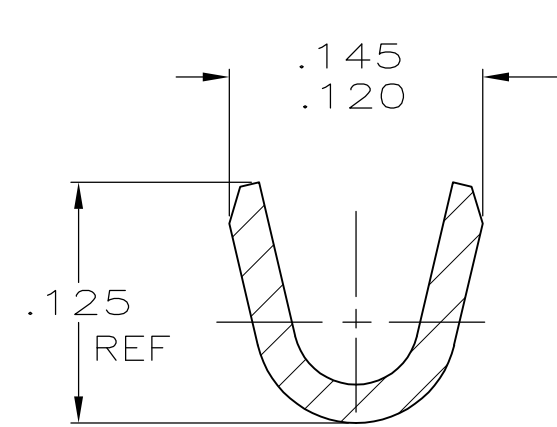
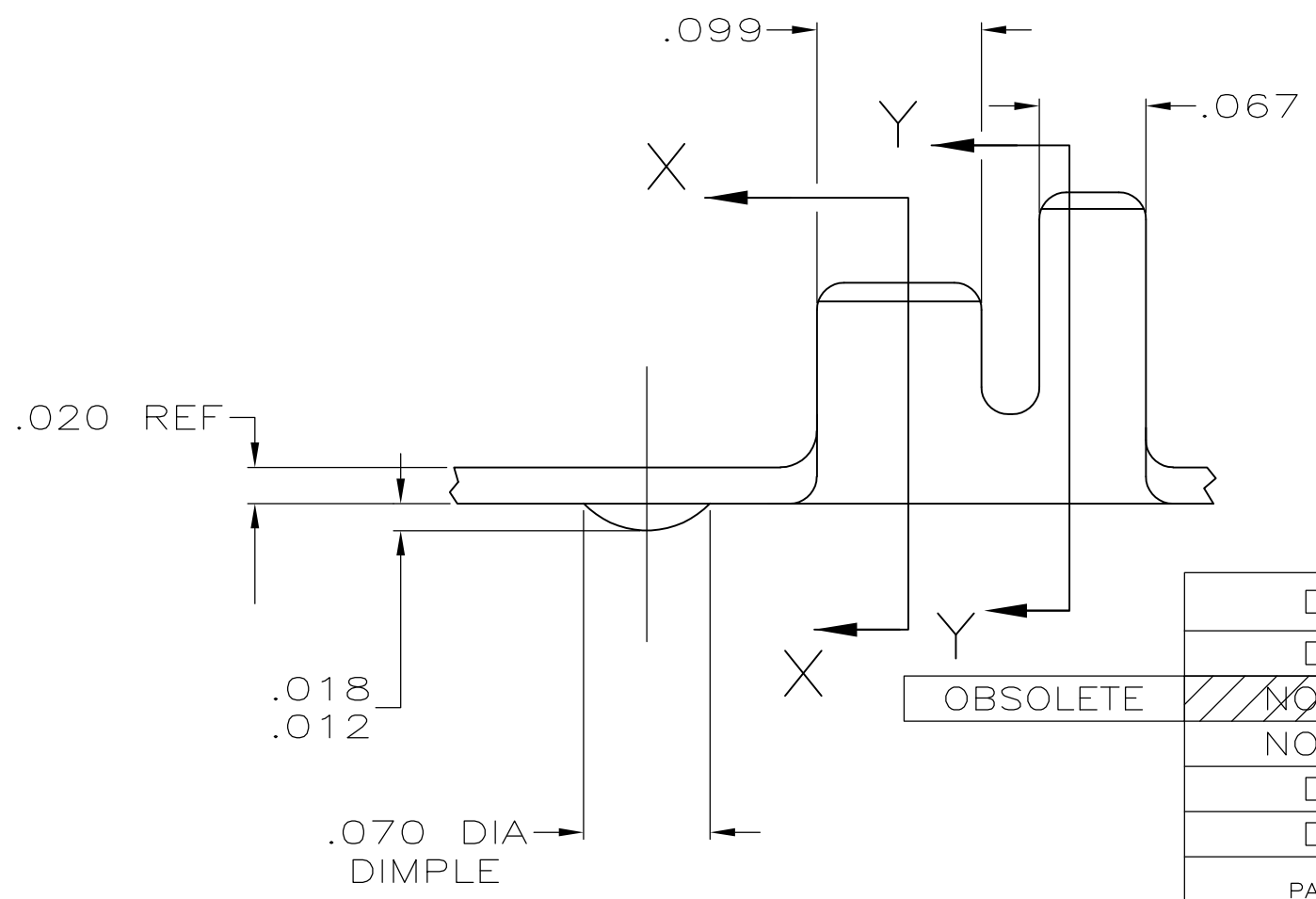


THIS DRAWING IS UNPUBLISHED. RELEASED FOR PUBLICATION
 © COPYRIGHT - By - ALL RIGHTS RESERVED.

LOC	DIST	REVISIONS			
P	LTR	DESCRIPTION	DATE	DWN	APVD
AF	50	AF5	REVISED PER ECO 11-018422	09SEP11	JR PD



- 1 CONTINUOUS STRIP ON REELS.
- 2 WIRE SIZE IS #20-#16 AWG.
- 3 INSULATION RANGE IS .090-.130 DIA.
- △4 .000080 MIN TIN PLATE.
- △5 COPPER FLASH BASE WITH .000005 MIN GOLD PLATE OVER .000030 MIN NICKEL UNDERPLATE.
- △6 .000100 MIN NICKEL PLATE
- △7 PRELIMINARY - NOT FOR PRODUCTION



DIMPLE	FINISH	MATERIAL	PART NUMBER
DIMPLE	-	T4 PHOS BRONZE	△7 40990-5
DIMPLE	△6	TEMPER 3 STEEL	40990-4
NO DIMPLE	-	TEMPER 3 STEEL	40990-3
NO DIMPLE	△5	TEMPER 3 STEEL	40990-2
DIMPLE	△4	TEMPER 3 STEEL	40990-1
DIMPLE	-	ANNEALED UNS S43000 STAINLESS STEEL	40990

OBSOLETE

THIS DRAWING IS A CONTROLLED DOCUMENT.		DWN 26JUL2001 MICHAEL S. FEHER	STE TE Connectivity													
		CHK 26JUL2001 GARY PORTA														
DIMENSIONS: INCHES		APVD 26JUL2001 GARY PORTA	NAME													
TOLERANCES UNLESS OTHERWISE SPECIFIED:		PRODUCT SPEC	WELD TAB													
<table border="0"> <tr><td>0 PLC</td><td>± -</td></tr> <tr><td>1 PLC</td><td>± -</td></tr> <tr><td>2 PLC</td><td>± -</td></tr> <tr><td>3 PLC</td><td>± .015</td></tr> <tr><td>4 PLC</td><td>± -</td></tr> <tr><td>ANGLES</td><td>± -</td></tr> </table>		0 PLC	± -	1 PLC	± -	2 PLC	± -	3 PLC	± .015	4 PLC	± -	ANGLES	± -	APPLICATION SPEC	RESTRICTED TO	
0 PLC	± -															
1 PLC	± -															
2 PLC	± -															
3 PLC	± .015															
4 PLC	± -															
ANGLES	± -															
MATERIAL SEE TABLE	FINISH SEE TABLE	WEIGHT -	SIZE A3	CAGE CODE 00779												
CUSTOMER DRAWING			DRAWING NO C-40990	RESTRICTED TO -												
			SCALE 10:1	SHEET 1 OF 1												
			REV AF5													