



Chipsmall Limited consists of a professional team with an average of over 10 year of expertise in the distribution of electronic components. Based in Hongkong, we have already established firm and mutual-benefit business relationships with customers from,Europe,America and south Asia,supplying obsolete and hard-to-find components to meet their specific needs.

With the principle of “Quality Parts,Customers Priority,Honest Operation,and Considerate Service”,our business mainly focus on the distribution of electronic components. Line cards we deal with include Microchip,ALPS,ROHM,Xilinx,Pulse,ON,Everlight and Freescale. Main products comprise IC,Modules,Potentiometer,IC Socket,Relay,Connector.Our parts cover such applications as commercial,industrial, and automotives areas.

We are looking forward to setting up business relationship with you and hope to provide you with the best service and solution. Let us make a better world for our industry!



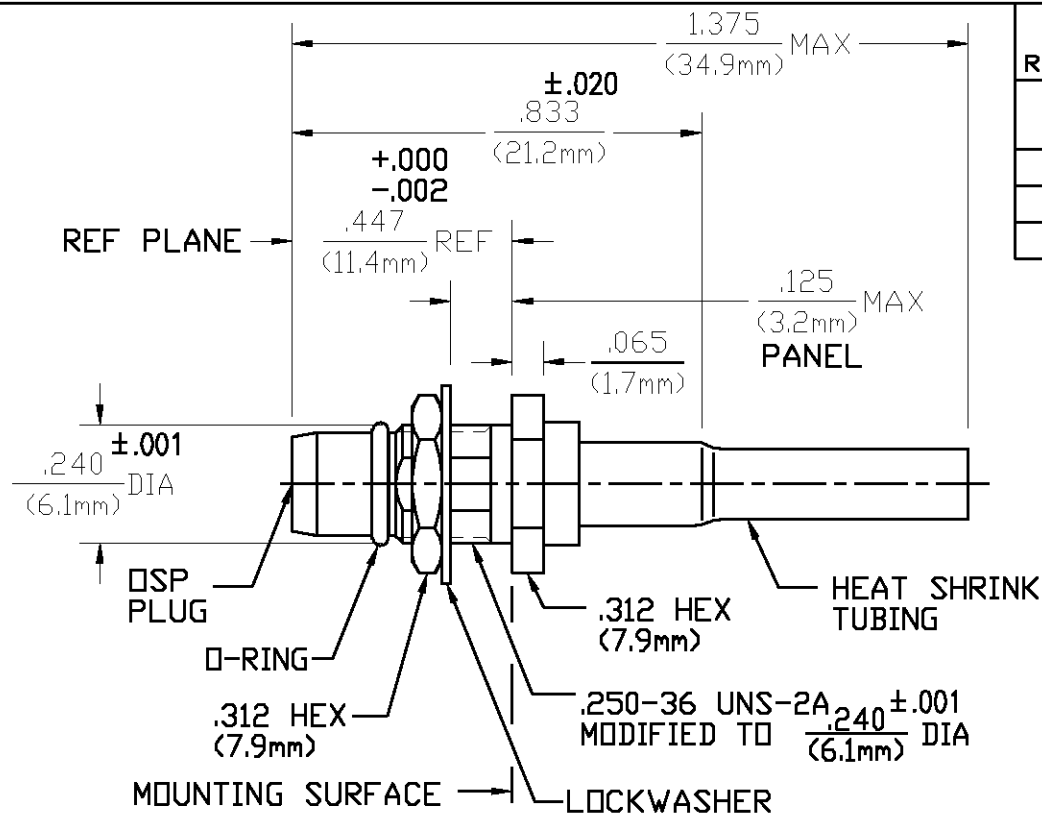
Contact us

Tel: +86-755-8981 8866 Fax: +86-755-8427 6832

Email & Skype: info@chipsmall.com Web: www.chipsmall.com

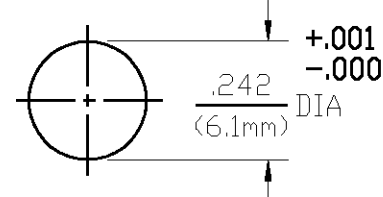
Address: A1208, Overseas Decoration Building, #122 Zhenhua RD., Futian, Shenzhen, China





DESIGNED FOR USE WITH RG 316/U & SIMILAR CABLES	
CABLE ENTRY DIAMETER MINIMUM	
HOUSING	.067
FERRULE	.125
CONTACT	.023

REVISIONS			
REV	DESCRIPTION	DATE	APPROVED
02 ₀	CHG'S PER ECN 86-0048-2	D.CAM 2/7/86	R.GIERAS
03 ₀	CHANGED PICTORALLY, ECN 86-0355 (6 OF 7)	M.B. 5/20/86	R.GIERAS
03 ₁	REDRAWN IN CAD PER ECN 92-0008	J.B. 2/26/92	JGH 2/27/92
B	REVISED PER ECN 0U20-0262-01	G.V. 12/10/02	JGH



RECOMMENDED MOUNTING HOLE

COMPONENT	MATERIAL	FINISH
HOUSING MOUNTING NUT LOCKWASHER	STAINLESS STEEL PER ASTM-A484 AND ASTM-A582, TYPE 303	PASSIVATE PER ASTM-A380
DIELECTRIC	TFE FLUOROCARBON PER ASTM-D-1457	N/A
CENTER CONTACT	BERYLLIUM COPPER PER ASTM B 196, ALLOY C17300, CONDITION H	GOLD PLATE PER MIL-G-45204 OVER COPPER PLATE PER MIL-C-14550
"O" - RING	FLOURO-SILICONE PER MIL-R-25988, CLASS I, TYPE I.	N/A
SHRINK TUBING	HEAT SHRINKABLE POLYOLEFIN COMPOUND MIL-I-23053/4	N/A
FERRULE	COPPER OR BRASS ALLOY ROCKWELL F65 MAXIMUM	GOLD PLATE PER MIL-G-45204 OVER COPPER PLATE PER MIL-C-14550

ELECTRICAL	MECHANICAL	ENVIRONMENTAL
Nominal Impedance (Ohms) <u>50</u>	Interface Dimensions Per <u>OMNI SPECTRA CATALOG</u>	TEMPERATURE RATING <u>-65° TO +125°C</u>
Frequency Range (GHz) DC to <u>3</u>	Force to Engage (In-Lbs MAX) <u>3.0</u>	Vibration MIL-STD-202, Method 204, Condition D, 20Gs
Volt Rating (VRMS MAX) @ Sea Level <u>250</u>	& Disengage (In-Lbs MAX) <u>1.5</u>	Shock MIL-STD-202, Method 213, Condition I, 100Gs
VSWR <u>1.15±.01F(GHz)</u> DC to 3 GHz	Center Contact Captivation Axial (Lbs) <u>6.0</u>	Thermal Shock MIL-STD-202, Method 107, Condition B
Insertion Loss (dB MAX) <u>.06x√F(GHz)</u>	Cable Retention Axial Force (Lbs MIN) <u>20.0</u>	Moisture Resistance MIL-STD-202, Method 106
RF Leakage (dB MIN) (Fully Mated) <u>-(60-F(GHz))</u>	Weight (Grams) <u>TBD</u>	Corrosion - MIL-STD-202, Method 101, Condition B
Corona, 70,000 Ft (VRMS MIN) <u>190</u>		
Dielectric Withstanding Voltage (VRMS MIN) @ Sea Level <u>750</u>		
Contact Resistance (Milliohms MAX)		
Center Contact <u>2.0</u>		
Outer Contact <u>2.0</u>		
Cable to Housing <u>0.5</u>		
RF High Potential @ Sea Level (VRMS MIN @ 5 MHz) <u>500</u>		
I.R.(Megohms MIN) <u>5000</u>		

COMPONENT	MATERIAL	FINISH
UNLESS OTHERWISE SPECIFIED DIMENSIONS ARE IN INCHES TOLERANCE ON		
FRAC.	DEC.	ANGLES
± 1/64	±.005	± 1°
These drawings and specifications are the property of Omni Spectra Incorporated and shall not be reproduced or copied or used in whole or in part as the basis for the manufacture or sale of item(s) without written permission.		
DRAWN BY T.MCW	DATE 12-3-82	 AMP Incorporated 140 Fourth Avenue Waltham, MA 02451-7599
CHECKED BY R.G.	DATE 12-3-82	
APPROVED BY RMF	DATE 12-7-82	
USE ASSY PROCEDURE	408-08271 (45-018)	TITLE DSP BULKHEAD FEEDTHROUGH CABLE PLUG - CRIMP ATTACHMENT
NO. A.P.	SIZE B	CODE IDENT NO. 26805
	SCALE 3:1	4533-7388-02
		REV 03 ₁
		SHEET 1 OF 1

CUSTOMER DRAWING

AMP PART # 1059523-1
SHEET 1 OF 1 REV B