



Chipsmall Limited consists of a professional team with an average of over 10 year of expertise in the distribution of electronic components. Based in Hongkong, we have already established firm and mutual-benefit business relationships with customers from,Europe,America and south Asia,supplying obsolete and hard-to-find components to meet their specific needs.

With the principle of “Quality Parts,Customers Priority,Honest Operation,and Considerate Service”,our business mainly focus on the distribution of electronic components. Line cards we deal with include Microchip,ALPS,ROHM,Xilinx,Pulse,ON,Everlight and Freescale. Main products comprise IC,Modules,Potentiometer,IC Socket,Relay,Connector.Our parts cover such applications as commercial,industrial, and automotives areas.

We are looking forward to setting up business relationship with you and hope to provide you with the best service and solution. Let us make a better world for our industry!



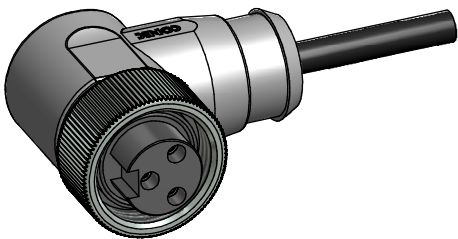
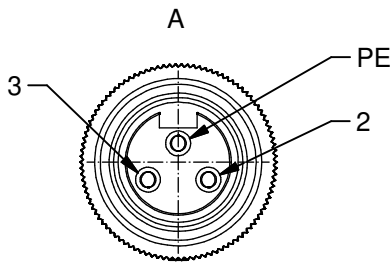
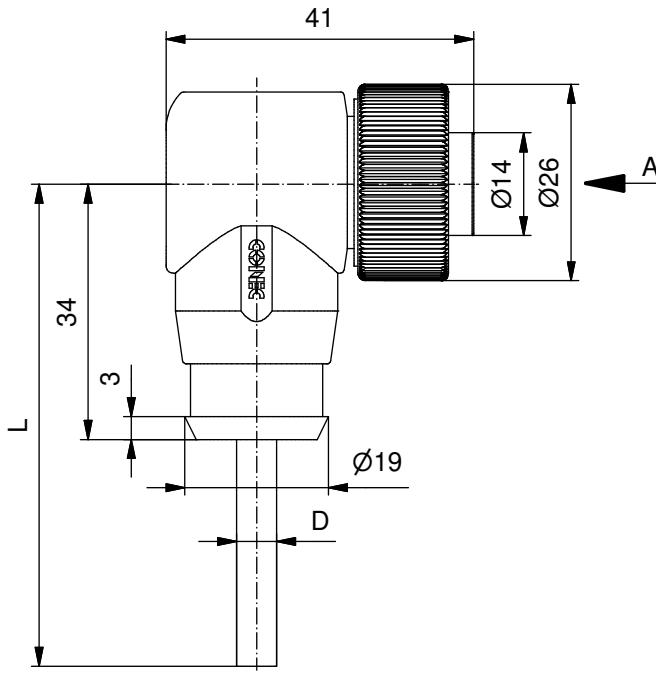
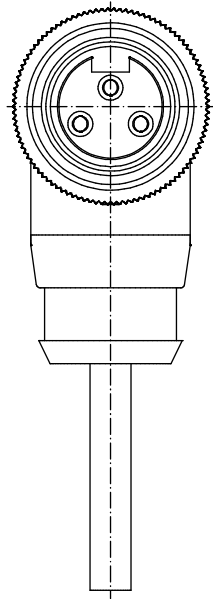
Contact us

Tel: +86-755-8981 8866 Fax: +86-755-8427 6832

Email & Skype: info@chipsmall.com Web: www.chipsmall.com

Address: A1208, Overseas Decoration Building, #122 Zhenhua RD., Futian, Shenzhen, China





Technical specification:

Rated voltage: IEC 60664-1	300 V
Overtoltage category: IEC 60664-1	2
Overtoltage: IEC 60664-1	2,7 kV
Current rating: IEC 60512-3 at 40°C	0,75mm ² 1,5mm ² 8 A 12 A
Insulation resistance: IEC 60512	>=100 MΩ
Pollution degree: IEC 60664-1	3/2
Degree of protection: IEC 60529	IP 68, in mated condition
Temperature range: IEC 60664-1	-30°C ... +80°C
Mating cycles: IEC 60512-9a	>=100
Termination:	crimped

Materials:

Contact:	CuZn
Contact plating:	Nickel, gold plated
Contact carrier:	TPU, UL 94
Coupling nut:	CuZn, nickel plated
Moulding body:	TPU, UL 94, grey

Contact assignment:

- 1) green-yellow
- 2) brown
- 3) blue

Part no:	Description:	Length L:	Cable:
41-01020	SAL - 7/8 - RKW2PE - 2 / K0	2m	TPU, UL 20940, black, 3x0,75mm ² Cable: 781-K07300
41-01021	SAL - 7/8 - RKW2PE - 3 / K0	3m	
41-01022	SAL - 7/8 - RKW2PE - 5 / K0	5m	
41-01023	SAL - 7/8 - RKW2PE - 10 / K0	10m	
41-xxxxx	SAL - 7/8 - RKW2PE - ... / K0	x	
41-01117	SAL - 7/8 - RKW2PE - 2 / K0 / 150	2m	TPU, UL 20940, black, 3x1,50mm ² Cable: 781-K08300
41-01118	SAL - 7/8 - RKW2PE - 3 / K0 / 150	3m	
41-01119	SAL - 7/8 - RKW2PE - 5 / K0 / 150	5m	
41-01120	SAL - 7/8 - RKW2PE - 10 / K0 / 150	10m	
41-xxxxx	SAL - 7/8 - RKW2PE - ... / K0 / 150	x	

D see data sheet cable

DO NOT ALTER CAD DRAWING BY HAND Directive 2002/95/EC RoHS compliant	Index: b 10.02.1 VF Ä3891 cable type changed, technical specification changed, part no. cable in table added, neutral line added	dim. in mm	title: Female connector 7/8" angled					
	tolerance of cable: L ≤ 4m: L + 40mm L > 4m: L + 1%				<table border="1"> <tr> <td>date</td> <td>name</td> </tr> <tr> <td>drawn 11.10.07</td> <td>Franz</td> </tr> <tr> <td>appd. 11.10.07</td> <td>Mankopf</td> </tr> </table>	date	name	drawn 11.10.07
	date	name						
	drawn 11.10.07	Franz						
appd. 11.10.07	Mankopf							
general tolerance: 0 ± 0,50mm 0,0 ± 0,25mm 0,00 ± 0,10mm		dwg no: 41K1A310						
THIS DRAWING MAY NOT BE COPIED OR REPRODUCED IN ANY WAY, AND MAY NOT BE PASSED ON TO A THIRD PARTY WITHOUT WRITTEN PERMISSION. OWNERSHIP AND COPYRIGHT OF CONEC GmbH		part no: see table						