



Chipsmall Limited consists of a professional team with an average of over 10 year of expertise in the distribution of electronic components. Based in Hongkong, we have already established firm and mutual-benefit business relationships with customers from,Europe,America and south Asia,supplying obsolete and hard-to-find components to meet their specific needs.

With the principle of "Quality Parts,Customers Priority,Honest Operation,and Considerate Service",our business mainly focus on the distribution of electronic components. Line cards we deal with include Microchip,ALPS,ROHM,Xilinx,Pulse,ON,Everlight and Freescale. Main products comprise IC,Modules,Potentiometer,IC Socket,Relay,Connector.Our parts cover such applications as commercial,industrial, and automotives areas.

We are looking forward to setting up business relationship with you and hope to provide you with the best service and solution. Let us make a better world for our industry!



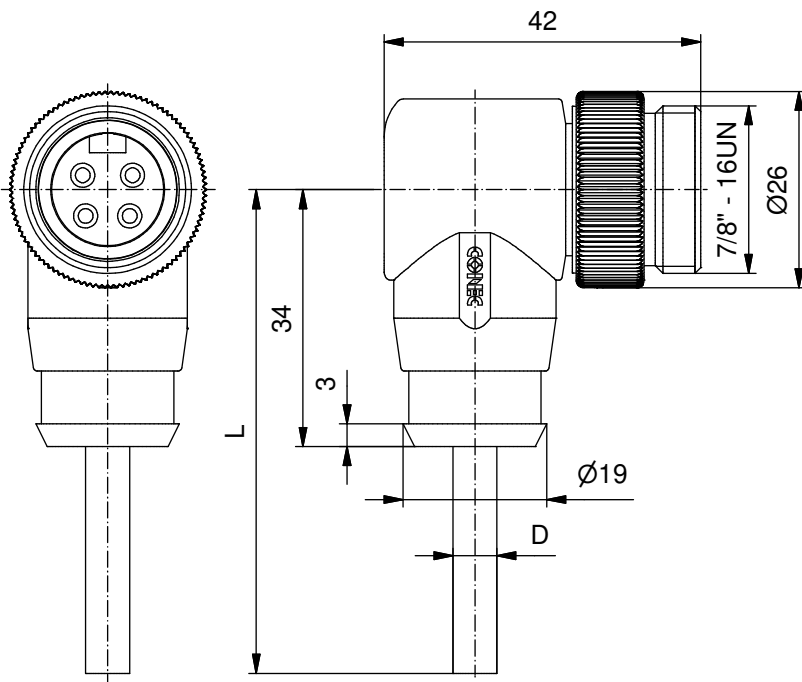
Contact us

Tel: +86-755-8981 8866 Fax: +86-755-8427 6832

Email & Skype: info@chipsmall.com Web: www.chipsmall.com

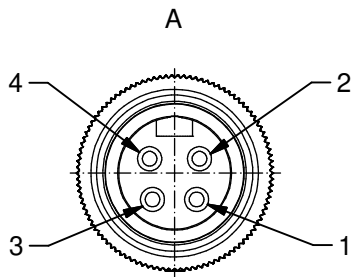
Address: A1208, Overseas Decoration Building, #122 Zhenhua RD., Futian, Shenzhen, China





Technical specification:

Rated voltage: IEC 60664-1	300 V
Overvoltage category: IEC 60664-1	2
Overvoltage: IEC 60664-1	2,7 kV
Current rating: IEC 60512-3 at 40°C	0,75mm ² 1,5mm ² 8 A 10 A
Insulation resistance: IEC 60512	>=100 MΩ
Pollution degree: IEC 60664-1	3/2
Degree of protection: IEC 60529	IP 68, in mated condition
Temperature range:	-30°C ... +80°C
Mating cycles: IEC 60512-9a	>=100
Termination:	crimped

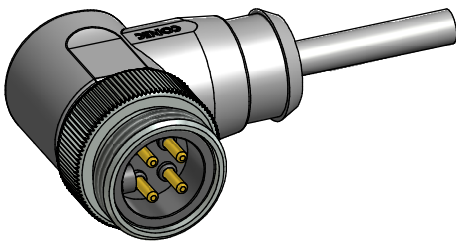


Contact assignment:

- 1 brown
- 2 white
- 3 blue
- 4 black

Materials:

Contact:	CuZn
Contact plating:	Nickel, gold plated
Contact carrier:	TPU, UL 94
Coupling screw:	CuZn, nickel plated
Moulding body:	TPU, UL 94, grey



Part no:	Description:	Length L:	Cable:
41-01056	SAL - 7/8 - RSW4 - 2 / A3	2m	PVC, UL 2464, grey, 4x0,75mm ² Cable: 781-A37400
41-01057	SAL - 7/8 - RSW4 - 3 / A3	3m	
41-01058	SAL - 7/8 - RSW4 - 5 / A3	5m	
41-01059	SAL - 7/8 - RSW4 - 10 / A3	10m	
41-xxxxx	SAL - 7/8 - RSW4 - ... / A3	x	
41-01153	SAL - 7/8 - RSW4 - 2 / A3 / 150	2m	PVC, UL 2464, grey, 4x1,50mm ² Cable: 781-A3840G
41-01154	SAL - 7/8 - RSW4 - 3 / A3 / 150	3m	
41-01155	SAL - 7/8 - RSW4 - 5 / A3 / 150	5m	
41-01156	SAL - 7/8 - RSW4 - 10 / A3 / 150	10m	
41-xxxxx	SAL - 7/8 - RSW4 - ... / A3 / 150	x	

D see data sheet cable

DO NOT ALTER CAD DRAWING BY HAND Directive 2011/65/EU RoHS compliant	Index: d 24.04.14 MG Ä5178 Cable 781-A38400 superseded by 781-A3840G, data sheet revised, temperature range: IEC removed	dim. in mm		title: Male connector 7/8" angled	
		date	name		
	tolerance of cable: L ≤ 4m: L + 40mm L > 4m: L + 1%	drawn	10.10.07	Franz	dwg no: 41K1A307
	general tolerance: 0 ± 0,50mm 0,0 ± 0,25mm 0,00 ± 0,10mm	appd.	10.10.07	Mankopf	
CONEC ®				part no: see table	
THIS DRAWING MAY NOT BE COPIED OR REPRODUCED IN ANY WAY, AND MAY NOT BE PASSED ON TO A THIRD PARTY WITHOUT WRITTEN PERMISSION. OWNERSHIP AND COPYRIGHT OF CONEC GmbH					