



Chipsmall Limited consists of a professional team with an average of over 10 year of expertise in the distribution of electronic components. Based in Hongkong, we have already established firm and mutual-benefit business relationships with customers from,Europe,America and south Asia,supplying obsolete and hard-to-find components to meet their specific needs.

With the principle of “Quality Parts,Customers Priority,Honest Operation,and Considerate Service”,our business mainly focus on the distribution of electronic components. Line cards we deal with include Microchip,ALPS,ROHM,Xilinx,Pulse,ON,Everlight and Freescale. Main products comprise IC,Modules,Potentiometer,IC Socket,Relay,Connector.Our parts cover such applications as commercial,industrial, and automotives areas.

We are looking forward to setting up business relationship with you and hope to provide you with the best service and solution. Let us make a better world for our industry!



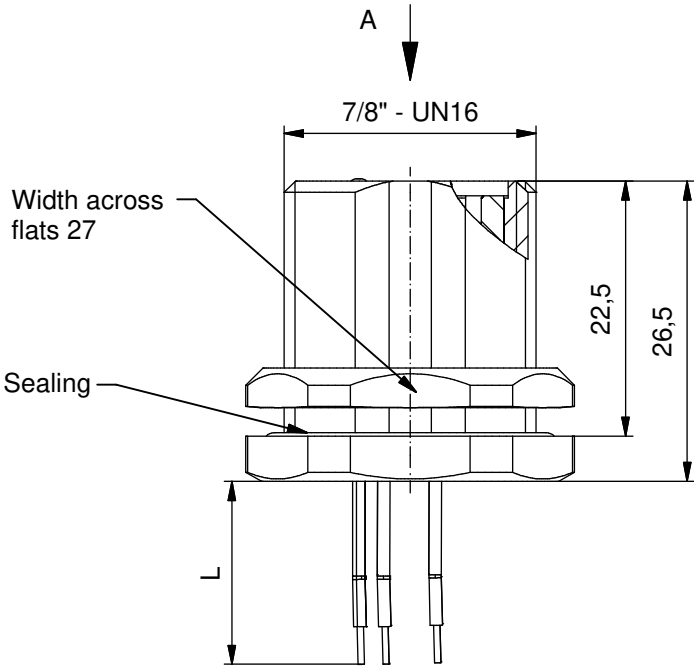
Contact us

Tel: +86-755-8981 8866 Fax: +86-755-8427 6832

Email & Skype: info@chipsmall.com Web: www.chipsmall.com

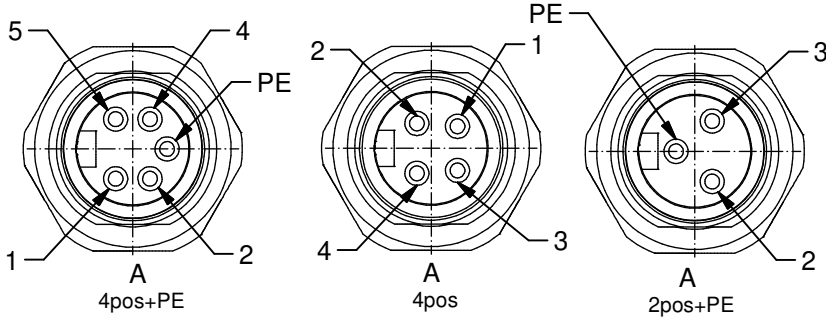
Address: A1208, Overseas Decoration Building, #122 Zhenhua RD., Futian, Shenzhen, China





Technical specification:

Rated voltage: IEC 60664-1	300 V
Overvoltage category: IEC 60664-1	2
Overvoltage: IEC 60664-1	2,7 kV
Current rating: IEC 60512-3 at 40°C	AWG 18 8 A AWG 16 12 A AWG 14 16 A
Insulation resistance: IEC 60512	>=100 MΩ
Pollution degree: IEC 60664-1	3/2
Degree of protection: IEC 60529	IP 67, in mated condition
Temperature range: IEC 60664-1	-30°C ... +75°C
Mating cycles: IEC 60512-9a	>=100
Termination:	crimped
Materials:	
Contact:	CuZn
Contact plating:	Nickel, gold plated
Contact carrier:	TPU, UL 94
Sealing:	FPM
Socket housing:	CuZn, nickel plated
Counternut:	CuZn, nickel plated
Grouting:	Polyurethane-resin, UL 94



Contact assignment:

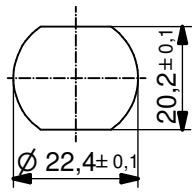
- 1 ■ black
- 2 ■ blue
- PE ■ green-yellow
- 4 ■ brown
- 5 ■ white

Contact assignment:

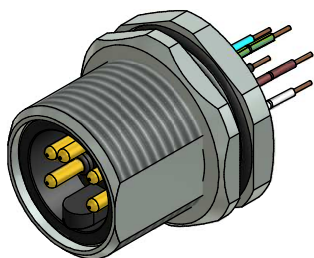
- 1 ■ brown
- 2 ■ white
- 3 ■ blue
- 4 ■ black

Contact assignment:

- PE ■ green-yellow
- 2 ■ brown
- 3 ■ blue



Minimum wall thickness 2,5mm, alternativ panel cut-out d=22,4



Part-no.:	Description:	Pos	Length L:	Wire:
41-40003	SAL - 7/8 - FSH2PE - 0,5	3	0,5m	AWG 18 PVC, UL
41-40004	SAL - 7/8 - FSH4 - 0,5	4	0,5m	
41-40005	SAL - 7/8 - FSH4PE - 0,5	5	0,5m	
41-xxxxx	SAL - 7/8 - FSH... - ...	x	x	
41-40012	SAL - 7/8 - FSH2PE - 0,5 / 150	3	0,5m	AWG 16 PVC, UL
41-40013	SAL - 7/8 - FSH4 - 0,5 / 150	4	0,5m	
41-40014	SAL - 7/8 - FSH4PE - 0,5 / 150	5	0,5m	
41-xxxxx	SAL - 7/8 - FSH... - ... / 150	x	x	
41-xxxxx	SAL - 7/8 - FSH2PE - 0,5 / 250	3	0,5m	AWG 14 PVC, UL
41-xxxxx	SAL - 7/8 - FSH4 - 0,5 / 250	4	0,5m	
41-40055	SAL - 7/8 - FSH4PE - 0,5 / 250	5	0,5m	
41-xxxxx	SAL - 7/8 - FSH... - ... / 250	x	x	

DO NOT ALTER CAD DRAWING BY HAND Directive 2002/95/EC RoHS compliant	Index: e 18.10.11 fro Ä4130 Temperatur changed	dim. in mm	title: Male Socket 7/8" with wire, backmounting							
	tolerance of wire: L ≤ 0,5m: L + 20mm L > 0,5m: L + 4%	<table border="1" style="font-size: 8px;"> <tr> <td>date</td> <td>name</td> </tr> <tr> <td>08.10.08</td> <td>Fromm</td> </tr> <tr> <td>10.11.08</td> <td>W.Schmidt</td> </tr> </table>			date	name	08.10.08	Fromm	10.11.08	W.Schmidt
	date	name								
	08.10.08	Fromm								
10.11.08	W.Schmidt									
general tolerance: 0 ± 0,50mm 0,0 ± 0,25mm 0,00 ± 0,10mm										
THIS DRAWING MAY NOT BE COPIED OR REPRODUCED IN ANY WAY, AND MAY NOT BE PASSED ON TO A THIRD PARTY WITHOUT WRITTEN PERMISSION. OWNERSHIP AND COPYRIGHT OF CONEC GmbH			part no:							