



Chipsmall Limited consists of a professional team with an average of over 10 year of expertise in the distribution of electronic components. Based in Hongkong, we have already established firm and mutual-benefit business relationships with customers from,Europe,America and south Asia,supplying obsolete and hard-to-find components to meet their specific needs.

With the principle of “Quality Parts,Customers Priority,Honest Operation,and Considerate Service”,our business mainly focus on the distribution of electronic components. Line cards we deal with include Microchip,ALPS,ROHM,Xilinx,Pulse,ON,Everlight and Freescale. Main products comprise IC,Modules,Potentiometer,IC Socket,Relay,Connector.Our parts cover such applications as commercial,industrial, and automotives areas.

We are looking forward to setting up business relationship with you and hope to provide you with the best service and solution. Let us make a better world for our industry!



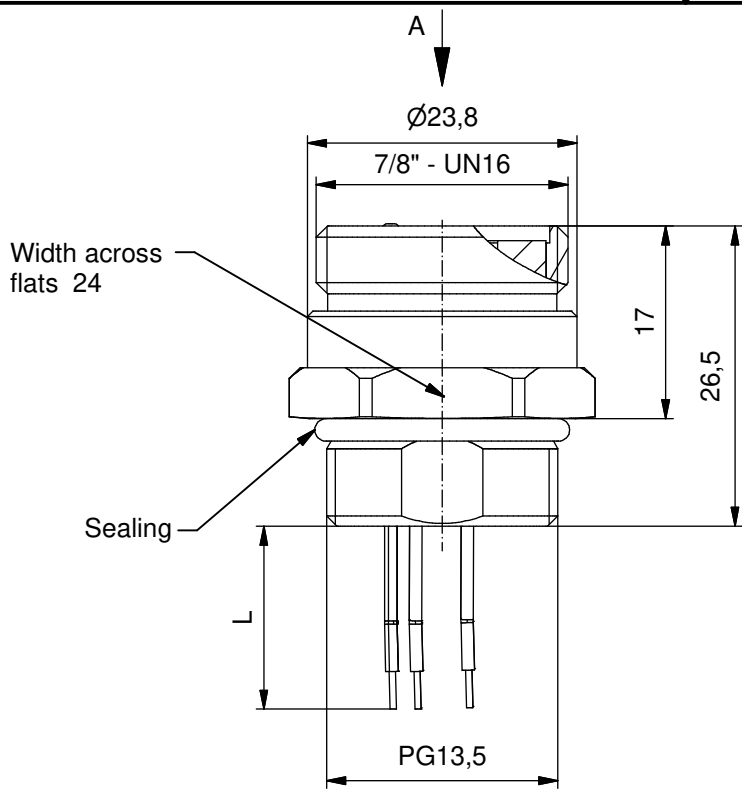
## Contact us

Tel: +86-755-8981 8866 Fax: +86-755-8427 6832

Email & Skype: info@chipsmall.com Web: www.chipsmall.com

Address: A1208, Overseas Decoration Building, #122 Zhenhua RD., Futian, Shenzhen, China



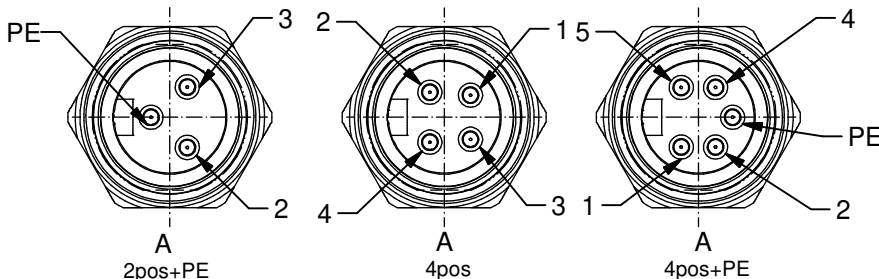


**Technical specification:**

Rated voltage: IEC 60664-1	300 V
Overvoltage category: IEC 60664-1	2
Overvoltage: IEC 60664-1	2,7 kV
Current rating: IEC 60512-3 at 40°C	AWG 18 8 A    AWG 16 12 A
Insulation resistance: IEC 60512	>=100 MΩ
Pollution degree: IEC 60664-1	3/2
Degree of protection: IEC 60529	IP 67, in mated condition
Temperature range: IEC 60664-1	-30°C ... +75°C
Mating cycles: IEC 60512-9a	>=100
Termination:	crimped

**Materials:**

Contact:	CuZn
Contact plating:	Nickel, gold plated
Contact carrier:	TPU, UL 94
Sealing:	FPM
Socket housing:	CuZn, nickel plated
Counternut:	CuZn, nickel plated



**Contact assignment:**

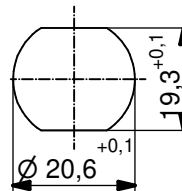
- PE ■ green-yellow
- 2 ■ brown
- 3 ■ blue

**Contact assignment:**

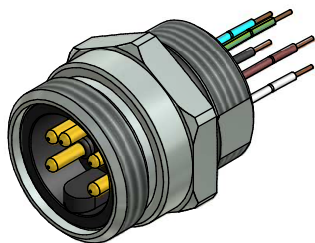
- 1 ■ brown
- 2 ■ white
- 3 ■ blue
- 4 ■ black

**Contact assignment:**

- 1 ■ black
- 2 ■ blue
- PE ■ green-yellow
- 4 ■ brown
- 5 ■ white



Minimum wall thickness  
2,5mm, alternativ panel  
cut-out d=20,6



Part no:	Description:	Pos	Length L:	Wire:
41-40000	SAL - 7/8 - FS2PE - 0,5	3	0,5m	AWG 18 PVC, UL
41-40001	SAL - 7/8 - FS4 - 0,5	4	0,5m	
41-40002	SAL - 7/8 - FS4PE - 0,5	5	0,5m	
41-xxxxx	SAL - 7/8 - FS... - ...	x	x	
41-40009	SAL - 7/8 - FS2PE - 0,5 / 150	3	0,5m	AWG 16 PVC, UL
41-40010	SAL - 7/8 - FS4 - 0,5 / 150	4	0,5m	
41-40011	SAL - 7/8 - FS4PE - 0,5 / 150	5	0,5m	
41-xxxxx	SAL - 7/8 - FS... - ... / 150	x	x	

DO NOT ALTER CAD DRAWING BY HAND Directive 2002/95/EC RoHS compliant	Index: d 18.10.11 fro Ä4130 Temperatur changed	dim. in mm	title: <h2 style="margin: 0;">Male socket 7/8" with wires, frontmounting</h2>							
	tolerance of wire:    L ≤ 0,5m: L + 20mm L > 0,5m: L + 4%	<table border="1" style="width: 100%; border-collapse: collapse;"> <tr> <td style="width: 30px;">date</td> <td style="width: 100px;">name</td> </tr> <tr> <td>drawn 20.02.07</td> <td>Fromm</td> </tr> <tr> <td>appd. 10.08.08</td> <td>W.Schmidt</td> </tr> </table>			date	name	drawn 20.02.07	Fromm	appd. 10.08.08	W.Schmidt
	date	name								
	drawn 20.02.07	Fromm								
appd. 10.08.08	W.Schmidt									
general tolerance:    0    ± 0,50mm 0,0    ± 0,25mm 0,00    ± 0,10mm										
THIS DRAWING MAY NOT BE COPIED OR REPRODUCED IN ANY WAY, AND MAY NOT BE PASSED ON TO A THIRD PARTY WITHOUT WRITTEN PERMISSION. OWNERSHIP AND COPYRIGHT OF CONEC GmbH			part no:							