



Chipsmall Limited consists of a professional team with an average of over 10 year of expertise in the distribution of electronic components. Based in Hongkong, we have already established firm and mutual-benefit business relationships with customers from,Europe,America and south Asia,supplying obsolete and hard-to-find components to meet their specific needs.

With the principle of “Quality Parts,Customers Priority,Honest Operation,and Considerate Service”,our business mainly focus on the distribution of electronic components. Line cards we deal with include Microchip,ALPS,ROHM,Xilinx,Pulse,ON,Everlight and Freescale. Main products comprise IC,Modules,Potentiometer,IC Socket,Relay,Connector.Our parts cover such applications as commercial,industrial, and automotives areas.

We are looking forward to setting up business relationship with you and hope to provide you with the best service and solution. Let us make a better world for our industry!



Contact us

Tel: +86-755-8981 8866 Fax: +86-755-8427 6832

Email & Skype: info@chipsmall.com Web: www.chipsmall.com

Address: A1208, Overseas Decoration Building, #122 Zhenhua RD., Futian, Shenzhen, China





Technical specification:

Rated voltage: 300 V
IEC 60664-1

Overvoltage category: 2
IEC 60664-1

Overvoltage: 2,7 kV
IEC 60664-1

Current rating: 12 A
IEC 60512-3 at 40°C

Insulation resistance: >=100 MΩ
IEC 60512

Pollution degree: 3/2
IEC 60664-1

Degree of protection: IP 67, in mated condition
IEC 60529

Temperature range: -30°C ... +75°C
IEC 60664-1

Mating cycles: >=100
IEC 60512-9a

Materials:

Contact: CuZn

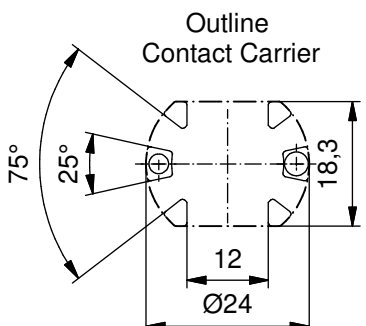
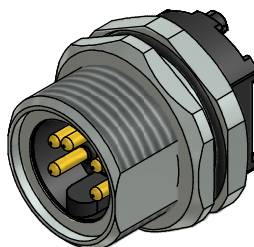
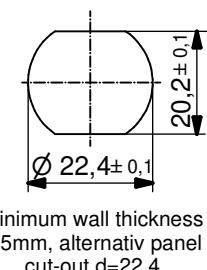
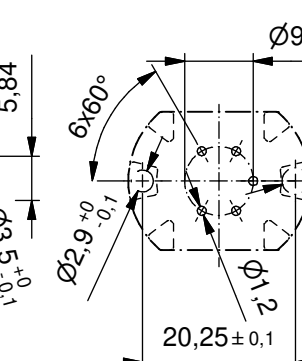
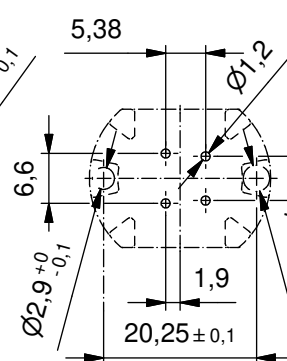
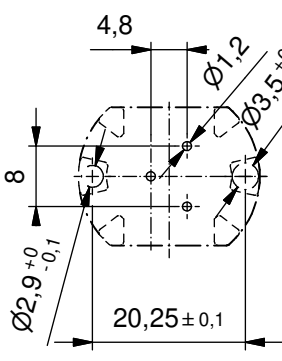
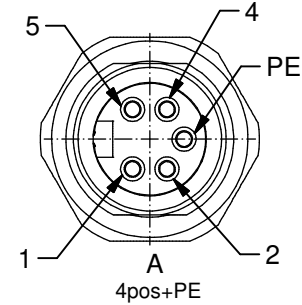
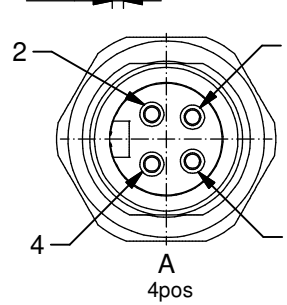
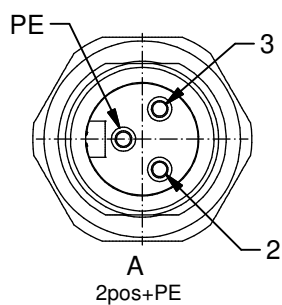
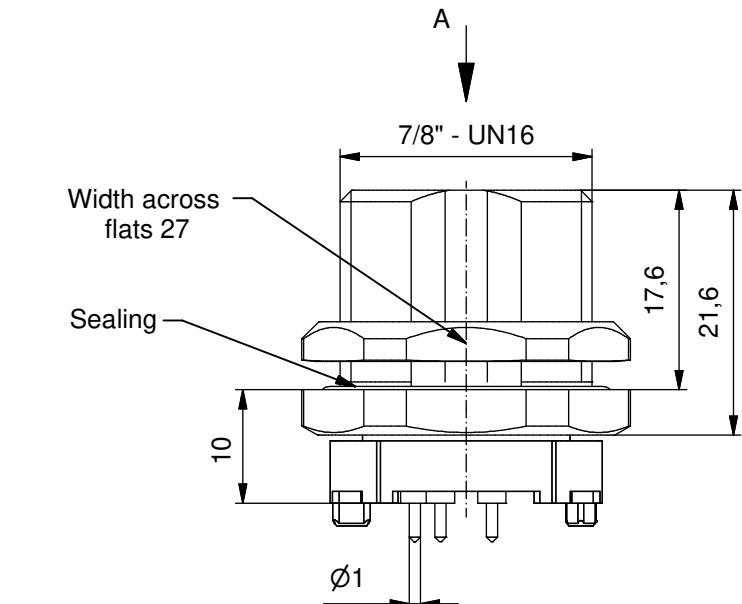
Contact plating: Nickel, gold plated

Contact carrier: TPU, UL 94

Sealing: FPM

Socket housing: CuZn, nickel plated

Counternut: CuZn, nickel plated



Part no:	Description:	Pos
41-40048	SAL - 7/8 - FSH2PE - X10	3
41-40049	SAL - 7/8 - FSH4 - X10	4
41-40050	SAL - 7/8 - FSH4PE - X10	5

DO NOT ALTER CAD DRAWING BY HAND Directive 2002/95/EC RoHS compliant	Index: e 13.04.12 fro Ä4273 dimension 1,9 added	dim. in mm	title: Male socket 7/8" with dip solder, backmounting
		date name	
		drawn 19.01.09 Fromm	dwg no: 41K1A391
		appd. 19.01.09 W.Schmidt	
	general tolerance: 0 ± 0,50mm 0,0 ± 0,25mm 0,00 ± 0,10mm		part no:
THIS DRAWING MAY NOT BE COPIED OR REPRODUCED IN ANY WAY, AND MAY NOT BE PASSED ON TO A THIRD PARTY WITHOUT WRITTEN PERMISSION. OWNERSHIP AND COPYRIGHT OF CONEC GmbH			

