



Chipsmall Limited consists of a professional team with an average of over 10 year of expertise in the distribution of electronic components. Based in Hongkong, we have already established firm and mutual-benefit business relationships with customers from,Europe,America and south Asia,supplying obsolete and hard-to-find components to meet their specific needs.

With the principle of “Quality Parts,Customers Priority,Honest Operation,and Considerate Service”,our business mainly focus on the distribution of electronic components. Line cards we deal with include Microchip,ALPS,ROHM,Xilinx,Pulse,ON,Everlight and Freescale. Main products comprise IC,Modules,Potentiometer,IC Socket,Relay,Connector.Our parts cover such applications as commercial,industrial, and automotives areas.

We are looking forward to setting up business relationship with you and hope to provide you with the best service and solution. Let us make a better world for our industry!



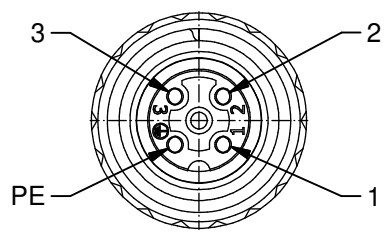
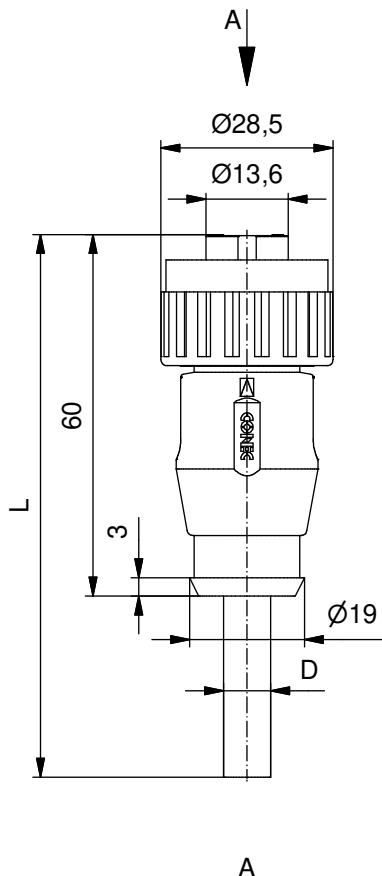
Contact us

Tel: +86-755-8981 8866 Fax: +86-755-8427 6832

Email & Skype: info@chipsmall.com Web: www.chipsmall.com

Address: A1208, Overseas Decoration Building, #122 Zhenhua RD., Futian, Shenzhen, China





Technical specification:

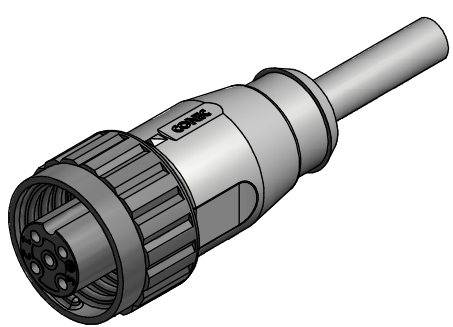
Rated voltage: IEC 60664-1	300 V
Current rating: IEC 60512-3	13 A at 40°C
Insulation resistance: IEC 60512	≥100 MΩ
Pollution degree: IEC 60664-1	3/2
Degree of protection: IEC 60529	IP 67, in mated condition
Temperature range:	-25°C ... +80°C
Mating cycles: IEC 60512-9a	≥100

Materials:

Contact:	CuZn
Contact plating:	Nickel, silver plated
Contact carrier:	PA GF, UL 94
Sealing:	FPM
Coupling nut:	PA GF, UL 94
Moulding body:	TPU, UL 94, grey

Contact assignment:

- 1) brown
- 2) blue
- 3) black
- PE) green-yellow



Part no:	Description:	Length L:	Cable:
41-51000	SAL - 24 - RK3PE - 2 / A3	2m	PVC, UL 2464, grey, 4x1,5mm ² Cable: 781-A38400
41-51001	SAL - 24 - RK3PE - 3 / A3	3m	
41-51002	SAL - 24 - RK3PE - 5 / A3	5m	
41-51003	SAL - 24 - RK3PE - 10 / A3	10m	
41-xxxxx	SAL - 24 - RK3PE - ... / A3	x	

D see data sheet cable

DO NOT ALTER CAD DRAWING BY HAND Directive 2011/65/EU RoHS compliant	Index: c 03.03.14 rbo Ä5117 technical specification changed, Temperature range was -40°... +80°	dim. in mm	title: Female connector RD24 axial		
	tolerance of cable: L ≤ 4m: L + 40mm L > 4m: L + 1%	date			name
	general tolerance: 0 ± 0,50mm 0,0 ± 0,25mm 0,00 ± 0,10mm	drawn 19.10.07	Mankopf	dwg no: 41K1A331	
	THIS DRAWING MAY NOT BE COPIED OR REPRODUCED IN ANY WAY, AND MAY NOT BE PASSED ON TO A THIRD PARTY WITHOUT WRITTEN PERMISSION. OWNERSHIP AND COPYRIGHT OF CONEC GmbH	appd. 19.10.07	Franz		
	CONEC ®			part no:	