



Chipsmall Limited consists of a professional team with an average of over 10 year of expertise in the distribution of electronic components. Based in Hongkong, we have already established firm and mutual-benefit business relationships with customers from,Europe,America and south Asia,supplying obsolete and hard-to-find components to meet their specific needs.

With the principle of “Quality Parts,Customers Priority,Honest Operation,and Considerate Service”,our business mainly focus on the distribution of electronic components. Line cards we deal with include Microchip,ALPS,ROHM,Xilinx,Pulse,ON,Everlight and Freescale. Main products comprise IC,Modules,Potentiometer,IC Socket,Relay,Connector.Our parts cover such applications as commercial,industrial, and automotives areas.

We are looking forward to setting up business relationship with you and hope to provide you with the best service and solution. Let us make a better world for our industry!



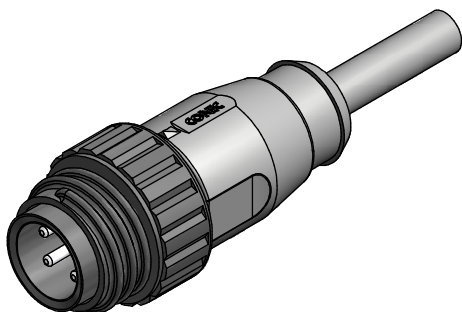
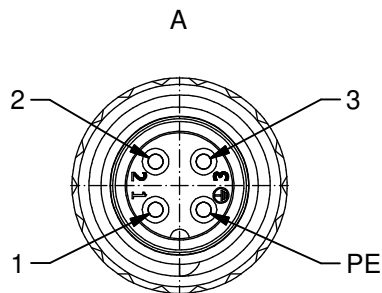
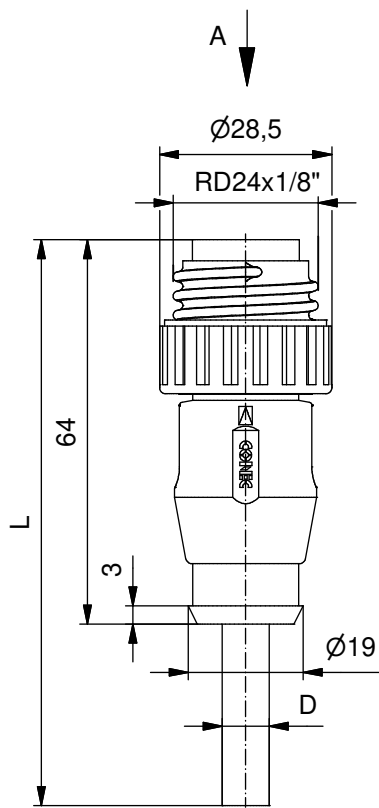
Contact us

Tel: +86-755-8981 8866 Fax: +86-755-8427 6832

Email & Skype: info@chipsmall.com Web: www.chipsmall.com

Address: A1208, Overseas Decoration Building, #122 Zhenhua RD., Futian, Shenzhen, China





Technical specification:

Rated voltage: IEC 60664-1	300 V
Current rating: IEC 60512-3	13 A at 40°C
Insulation resistance: IEC 60512	≥100 MΩ
Pollution degree: IEC 60664-1	3/2
Degree of protection: IEC 60529	IP 67, in mated condition
Temperature range:	-25°C ... +80°C
Mating cycles: IEC 60512-9a	≥100

Materials:

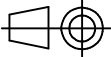

Contact:	CuZn
Contact plating:	Nickel, silver plated
Contact carrier:	PA GF, UL 94
Coupling screw:	PA GF, UL 94
Moulding body:	TPU, UL 94, grey

Contact assignment:

1	■ brown
2	■ blue
3	■ black
PE	■ green-yellow

Part no:	Description:	Length L:	Cable:
41-51004	SAL - 24 - RS3PE - 2 / A3	2m	PVC, UL 2464, grey, 4x1,5mm ² Cable: 781-A38400
41-51005	SAL - 24 - RS3PE - 3 / A3	3m	
41-51006	SAL - 24 - RS3PE - 5 / A3	5m	
41-51007	SAL - 24 - RS3PE - 10 / A3	10m	
41-xxxxx	SAL - 24 - RS3PE - ... / A3	x	

D see data sheet cable

DO NOT ALTER CAD DRAWING BY HAND Directive 2011/65/EU RoHS compliant	Index: C 03.03.2014 rbo - Ä5117 technical specification changed, Temperature range was -40° ... +80°	 dim. in mm		title: Male connector RD24 axial	
	tolerance of cable: L ≤ 4m: L + 40mm L > 4m: L + 1%	drawn	19.06.07		Mankopf
		appd.	19.10.07	Franz	
	general tolerance: 0 ± 0,50mm 0,0 ± 0,25mm 0,00 ± 0,10mm				dwg no: 41K1A332
	THIS DRAWING MAY NOT BE COPIED OR REPRODUCED IN ANY WAY, AND MAY NOT BE PASSED ON TO A THIRD PARTY WITHOUT WRITTEN PERMISSION. OWNERSHIP AND COPYRIGHT OF CONEC GmbH				part no: