



Chipsmall Limited consists of a professional team with an average of over 10 year of expertise in the distribution of electronic components. Based in Hongkong, we have already established firm and mutual-benefit business relationships with customers from,Europe,America and south Asia,supplying obsolete and hard-to-find components to meet their specific needs.

With the principle of “Quality Parts,Customers Priority,Honest Operation,and Considerate Service”,our business mainly focus on the distribution of electronic components. Line cards we deal with include Microchip,ALPS,ROHM,Xilinx,Pulse,ON,Everlight and Freescale. Main products comprise IC,Modules,Potentiometer,IC Socket,Relay,Connector.Our parts cover such applications as commercial,industrial, and automotives areas.

We are looking forward to setting up business relationship with you and hope to provide you with the best service and solution. Let us make a better world for our industry!



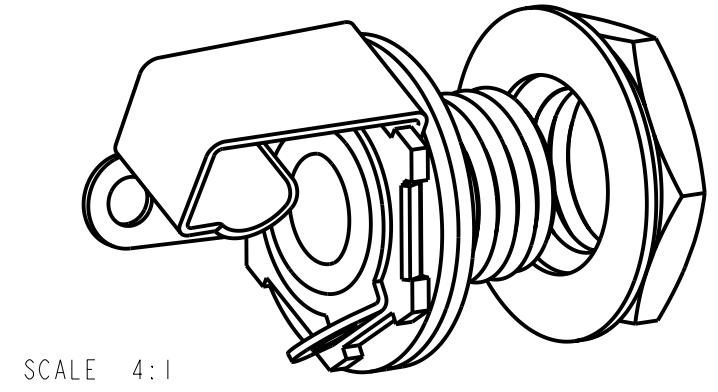
Contact us

Tel: +86-755-8981 8866 Fax: +86-755-8427 6832

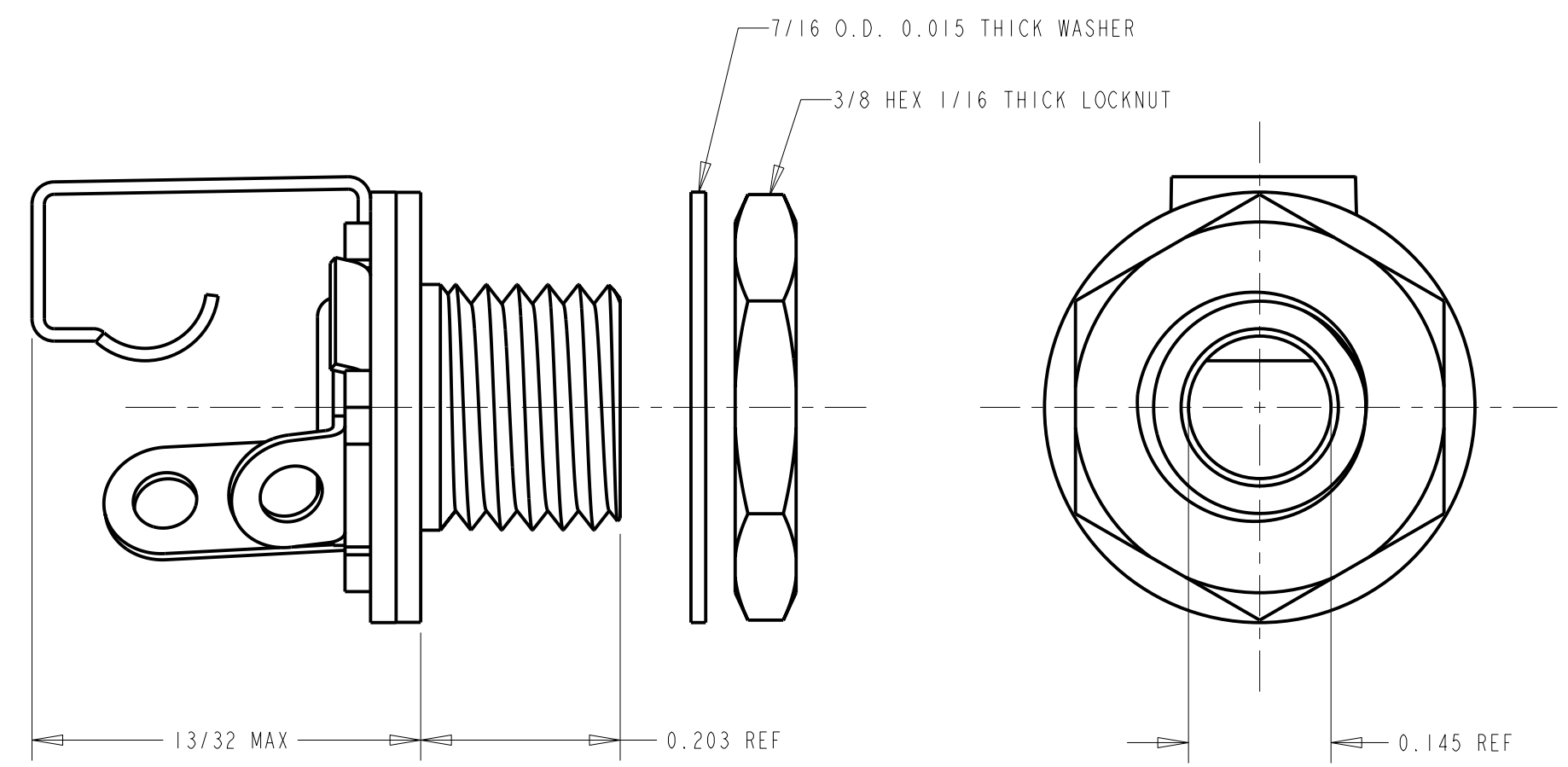
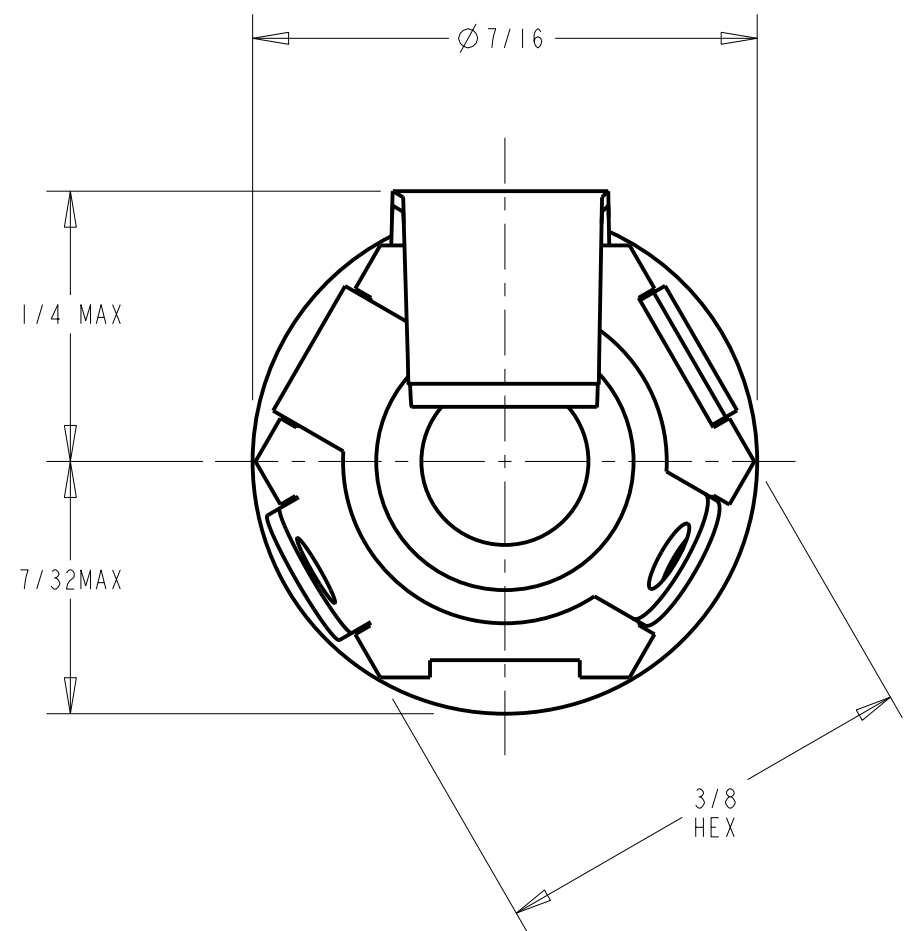
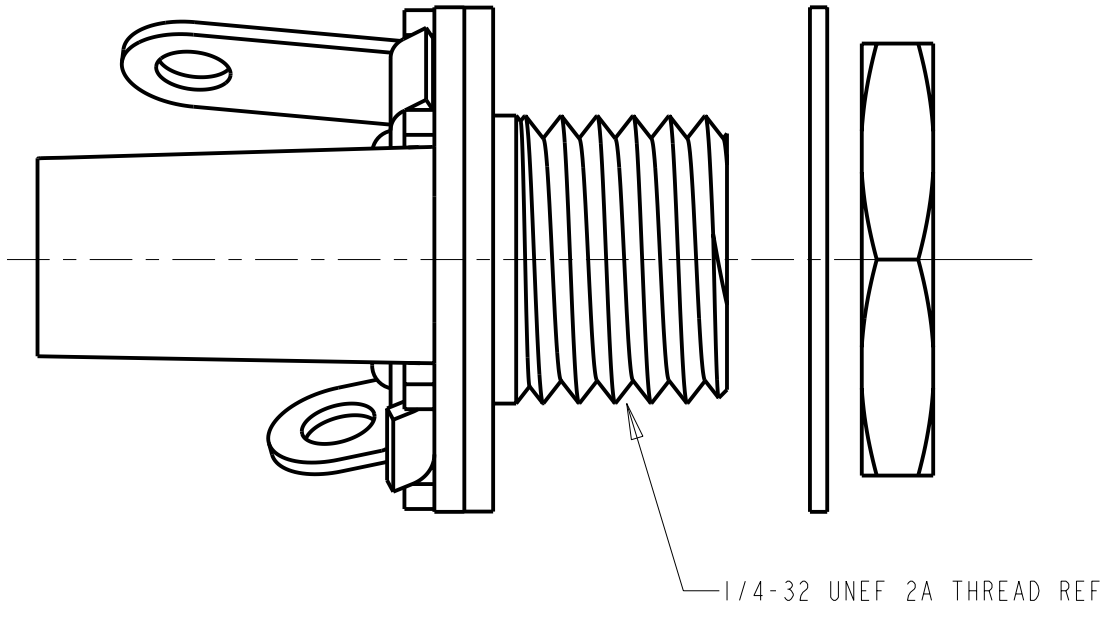
Email & Skype: info@chipsmall.com Web: www.chipsmall.com

Address: A1208, Overseas Decoration Building, #122 Zhenhua RD., Futian, Shenzhen, China



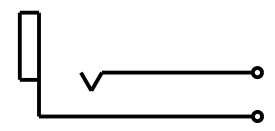


SCALE 4:1



SPECIFICATIONS:

- BUSHING - BRASS, NICKEL PLATED
- SPRING - NICKEL SILVER, SPRING TEMPERED
- SPACERS - PAPER BASE BAKELITE
- SLEEVE TERMINAL - BRASS, HOT TINNED
- WASHER - STEEL, NICKEL PLATED
- LOCKNUT - BRASS, NICKEL PLATED



SCHEMATIC CIRCUIT

CUSTOMER DRAWING

				★ STAR SYMBOL DENOTES CRITICAL DIMENSION		THIS DRAWING DESCRIBES A DESIGN CONSIDERED PROPRIETARY IN NATURE, DEVELOPED AND MANUFACTURED BY SWITCHCRAFT INC. AND IS RELEASED ON A CONFIDENTIAL BASIS FOR IDENTIFICATION PURPOSES ONLY.					
				UNLESS OTHERWISE SPECIFIED		SIZE	WIDTH	MULT	LBS/M	TEMPER	
				1. ALL DIMENSIONS IN INCHES		FINISH				MATERIAL	
				- TWO PLACE DECIMALS ±0.01		SPEC No.				SPEC No.	
				- THREE PLACE DECIMALS ±0.005		FIRST USED ON				SCALE	
				- FRACTIONAL DIMENSIONS ±1/64		4-14-64				4:1	
				- ANGLES ±1°		DATE DRAWN	BY	CHKD	APVD	Switchcraft®	
				- ALL DIA. CONCENTRIC WITHIN 0.005 T.I.R.		4-14-64	TRT	CJD	LG		
				2. FEATURES ON THE SAME CENTERLINE MUST BE ALIGNED WITHIN ±0.002		NAME				PART No.	
				3. REMOVE ALL BURRS		TINI-JAX 2 COND.				41	
				DO NOT SCALE DRAWING		REV				C	
				REVISIONS							